

Service Manual Cars

Section 3(39)
Wiring Diagrams
850 1996

TP 3911202

VOLVO

Cars with SRS (Air bag)/SIPS bag

Warning

Cars equipped with a Supplemental Restraint System (SRS)/SIPS bag must be treated extra carefully when repairs are being made. This is to help prevent:

1. Injuries when carrying out a repair. 2. Damage or malfunction of the SRS/SIPS bag system. Repair to either the SRS/SIPS bag itself or a related system or component must be carried out by an authorized Volvo workshop. Refer to the appropriate SRS and SIPS bag service manual for complete system information.

Is the car equipped with SRS?

Cars with SRS are most easily recognized by the SRS letters on the steering wheel pad. If the car is also equipped with an air bag on the passenger side, the letters 'SRS' will be embossed on the instrument panel above the glove compartment. On models from 1993 on, cars with SRS will also be equipped with pyrotechnical seat belt tensioners in the B-posts.

The SIPS bags are only installed in cars equipped with SRS systems, 1995-. Cars with SIPS bags can be recognized by the identifying labels on the windshield and on seat storage tray.

Dashboard or around steering column

Take care to avoid the SRS wiring being pinched, frayed or pierced by screws when working on the firewall, knee bolster, ignition switch, steering column casings, glove compartment, instrument panel, door sills and B-posts.

Center console

The SRS collision sensor is located between the handbrake and gear lever (selector) in the center console. Never install accessories on or near the sensor. The collision sensor connector on 1992 models must **never** be disconnected.

Repairs to steering gear and column

When carrying out repairs to the steering wheel, steering gear or column always follow the repair procedures given in the appropriate SRS service manual. The contact reel in the steering column will be damaged if the steering wheel is turned more than three turns in either direction.

Seats

The SIPS bag sensor is located in the front section of the seat storage tray. The SIPS-bag can be activated by a blow or pressure on the tray or if an object is caught between the tray and the door when the door is closed. Refer to the SIPS bag Service manual when carrying out work on the front seats.

Test terminal

-1995: Diagnostic unit B in the engine compartment is used for fault-tracing purposes.
1996-: Data Link Connector socket in passenger compartment.

Modifications to September 1995 included

Modifications introduced after the above date are not covered in this manual. See Service Bulletins as applicable.

Volvos are sold in versions adapted for different markets. These adaptations depend on many factors including legal, taxation and market requirements. This manual may therefore show illustrations and text which do not apply to cars in your country.

Contents

How to use the diagrams	2	Group 37	
Central electrical unit:		On-board diagnostic system (OBD system)	124
Fuses	4	Wiring for accessories	126
Relays	6		
Connection on rails	6	Group 38	
		Bulb failure warning sensor	128
Location of relays outside the central electrical unit	7	Seat belt reminder	130
Ignition switch	7	Seat belt and key reminder, USA, Canada, Korea	132
Cable harnesses and connectors		Seat belt and key reminder, Australia	134
Left-hand drive cards - Overview	8	Combined instrument panel, VDO	136
Cable harnesses and connectors		Combined instrument panel, Yasaki	140
Right-hand drive cars - Overview	9	Clock module/outside temp. and clock module/trip computer (Combined instrument panel, VDO)	144
Connectors	10	Clock module/outside temp. and clock module (Combined instrument panel, Yasaki)	146
Routing of cable harnesses in the car	25		
Branching points	32	Group 39	
Electrical distribution unit	48	Radio, 4-door	148
Ground points	50	Radio, 5-door	150
		Radio with extra amplifier, 4-door	152
Group 23/28		Radio with extra amplifier, 5-door	154
Multipoint fuel injection (MFI) system, LH-jetronic 3.2 & EZ 129 K	54		
Multipoint fuel injection (MFI) system, Fenix 5.2	56	Group 43	
Sequential fuel injection (SFI) system, Motronic 4.3 (B 5204 T, B 5234 T/T5)	60	AW 50-42 electronically controlled automatic transmission (LH 3.2 & EZ 129 K)	156
Sequential fuel injection (SFI) system, Motronic 4.3 (B 5254 S)	64	AW 50-42 electronically controlled automatic transmission (Fenix 5.2, Motronic 4.3/4.4)	158
Sequential fuel injection (SFI) system, Motronic 4.4 (B 5254 S)	68	P-shift lock, automatic transmission	160
Group 26		Group 59	
Engine cooling fan (EZ 129 K)	72	ABS Brake system and TRACS	162
Engine cooling fan (Fenix 5.2, Motronic 4.3/4.4)	74		
		Group 83	
Group 27		Power windows, Left-hand drive cars	164
Cruise control	76	Power windows, Right-hand drive cars	166
		Central locking, 4-door	168
Group 32/33		Central locking, 5-door	170
Charging circuit and starting system	78	2-stage central locking, 4-door	172
		2-stage central locking, 5-door	174
Group 35		Central locking with deadlock, 4-door	176
High and low beams	80	Central locking with deadlock, 5-door	178
High and low beams, DIM-DIP (GB)	82	Power sunroof	180
Beam length control	84		
Fog lights	86	Group 84	
Parking lights, tail lights and license plate lights, 4-door	88	Heated rear window and door mirrors	182
Parking lights, tail lights and license plate lights, 5-door	90	Power door mirrors	184
Stop (brake) lights, 4-door	92		
Stop (brake) lights, 5-door	94	Group 85	
Back-up (reversing) lights	96	Electrically heated seats	186
Interior light, 4-door	98	Heated rear seat	188
Interior light, 5-door	100	Power seat with memory	190
Instrumentation and control lighting	102		
		Group 87	
Group 36		Blower fan	192
Turn signal / hazard lights, 4-door	104	Manual climate unit MCC (LH 3.2 & EZ 129 K)	194
Turn signal / hazard lights, 5-door	106	Manual climate unit MCC (Fenix 5.2, Motronic 4.3/4.4)	196
Horn	108	Electronic climate unit ECC (LH 3.2 & EZ 129 K)	198
Windshield and headlight wash/wipe	110	Electronic climate unit ECC (Fenix 5.2, Motronic 4.3/4.4)	200
Tailgate wash/wipe	112	Exhaust temperature sensor (Japan)	202
Cigar lighter	114		
Basic alarm	116	Group 88	
Guard Alarm II, early type	118	SRS Supplemental Restraint System (SRS)	204
Guard Alarm II, late type	120		
Electronic start inhibitor (Immobilizer)	122	Function diagrams	206
		Comments	227
		Component list (fold-out)	at end of book
		Alphabetical index	at end of book

Order no. TP 3911032 (UK)
Supersedes TP 3911031




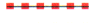
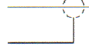
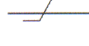



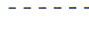

Order no. TP 3911202 (USA/CDN)
Supersedes TP 3911201

We reserve the right to make alterations without prior notification.

How to use the diagrams

Look up the relevant electrical function in the index.
 Let us say you want to look at the stop (brake) lights in a 4-door car.
 According to the index, the stop (brake) lights are found on page 92.

Explanation of symbols

-  = no voltage
-  = system voltage potential
-  = potential less than system voltage
-  = pulsed voltage
-  = shielded lead
-  = screened wire
-  = branching point
-  = ground point
-  = electrical connection
-  = no electrical connection
-  = variant

There is a component number for each component.
 At the back of this book, you will find a complete component list where you can see what each component is called.

Lead colors (Colors on the connectors)

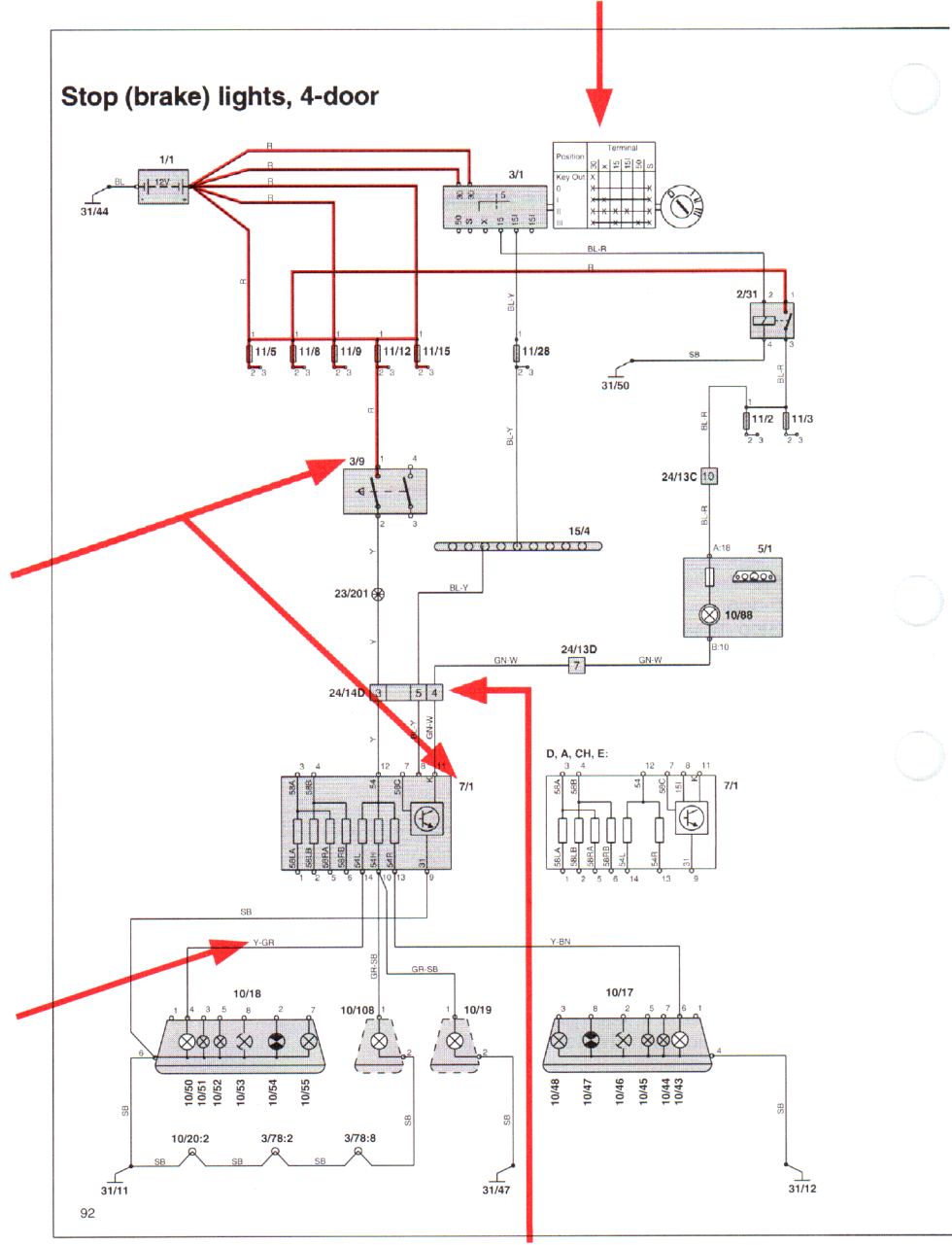
- SB = Black
- GR = Grey
- W = White
- R = Red
- BN = Brown
- Y = Yellow
- P = Pink
- BL = Blue
- GN = Green
- OR = Orange
- VO = Violet

Example:
 Y-GR = Yellow - Grey

Here you can see how the components are connected and, in most cases, their internal wiring.

A chart is often used to illustrate the functions of a switch.

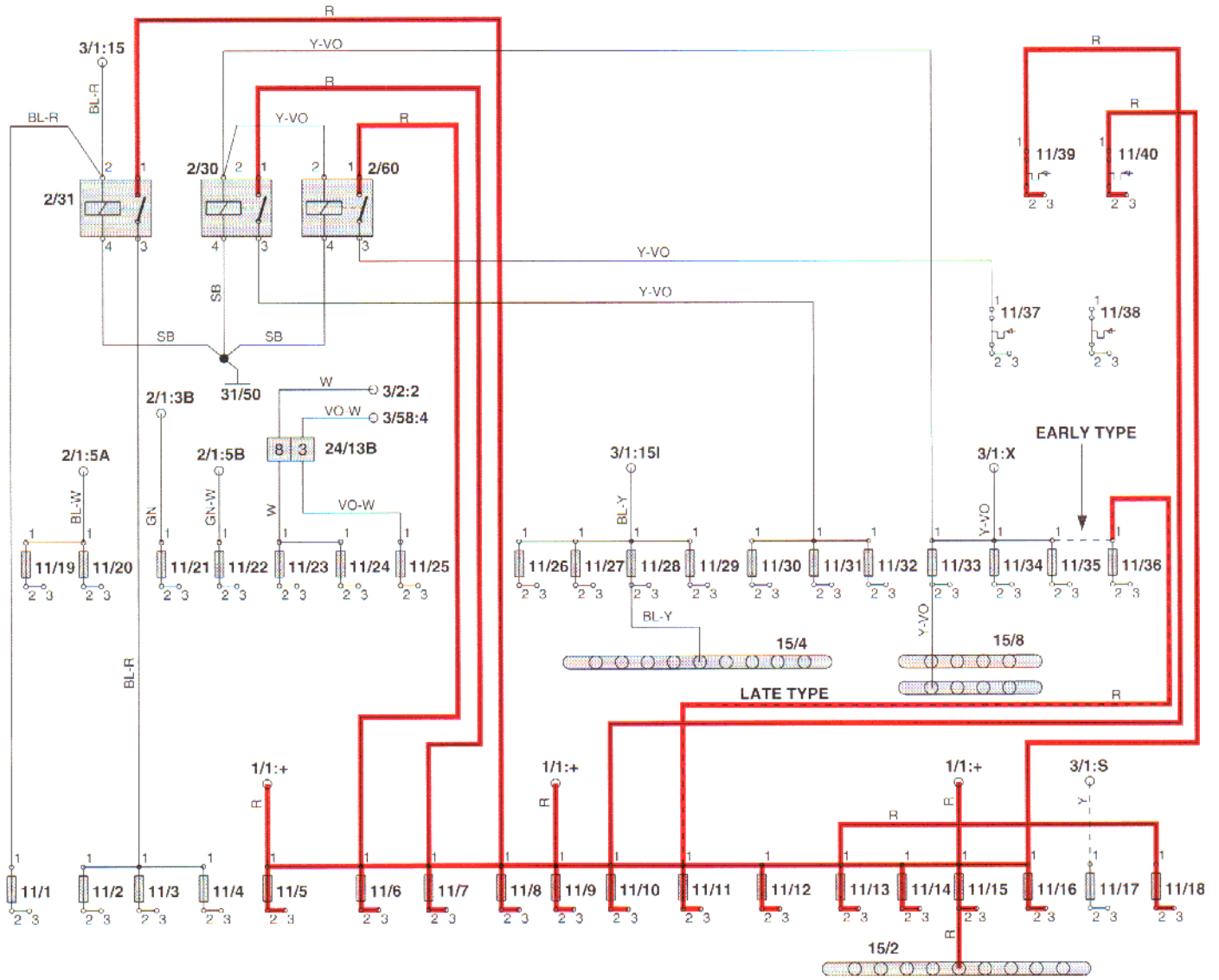
This chart shows which functions are electronically connected to each other at the various positions on the switch (in this case the ignition switch).



In right-hand drive cars, connectors 24/3D and 24/3E are the equivalent of connectors 24/14D and 24/14E due to differences in cable routing. See overview on page 9.

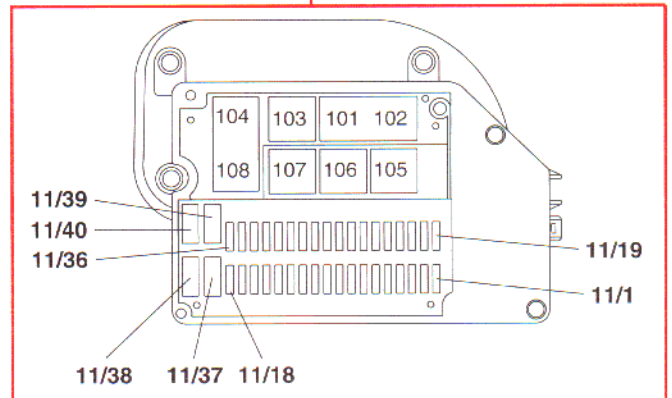
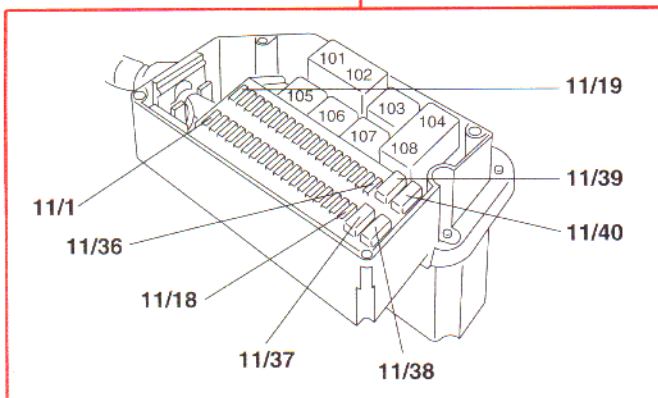
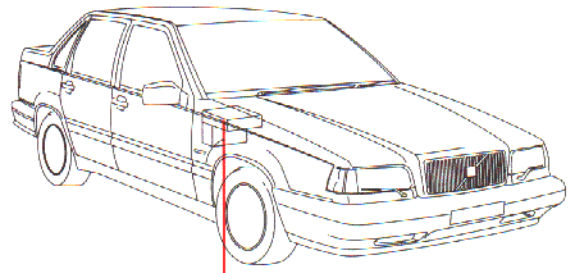
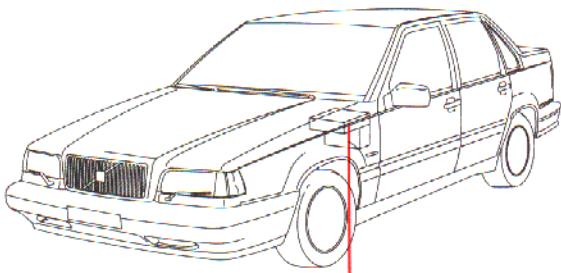
Central electrical unit

Fuses



LHD

RHD



Central electrical unit

Relays

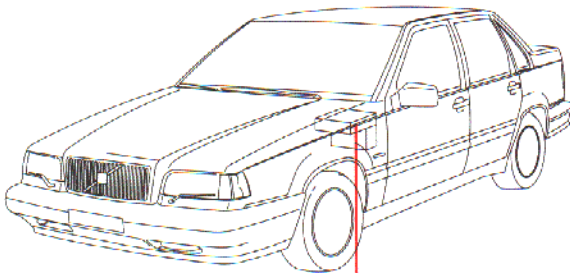
101-102	Control module, cruise control (4/3)
103	Fuel pump relay (2/23)
104, 108	Main headlight relay with bulb failure warning sensor (2/1)
105	Overload relay +X-supply (2/30)
106	Overload relay +15-supply (2/31)
107	Overload relay +X-supply (2/60)
201	Fog light relay (2/2)
202	Relay, deadlock setting (2/47) or Relay, driver's door, 2-stage central locking (2/105)
203	Relay, windshield intermittent wiper (2/4)
204	Relay, tailgate intermittent wiper (2/16)
205-206	Relay, central locking / delayed inside lighting (2/7)
207	Relay, exhaust temp. sensor (2/15)
208	Relay, heated rear window / door mirrors (2/44)
210-211	Relay, anti-theft alarm (2/28)
212	Relay, seat belt reminder / key warning (2/5)
213	Front fog lights, bridge (34/13)
214	Relay, heated rear seat (2/43)

If the car is not equipped with an anti-theft alarm, position 210 is bridged and 211 is unconnected.

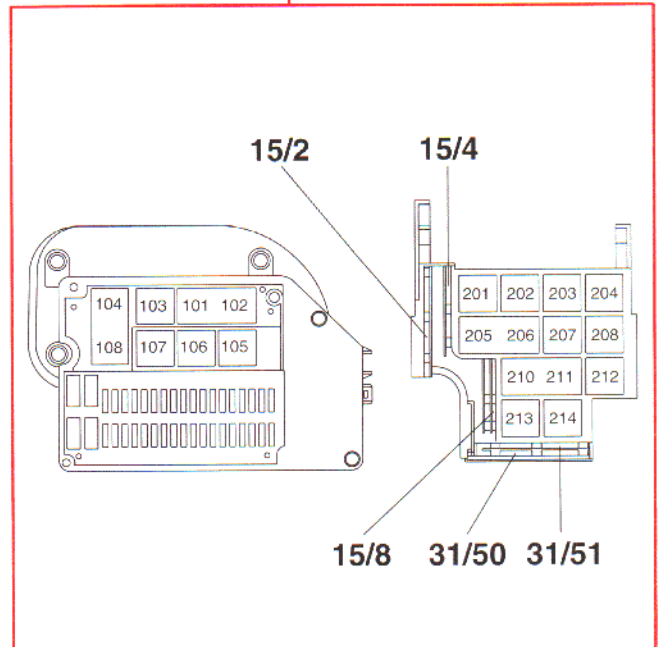
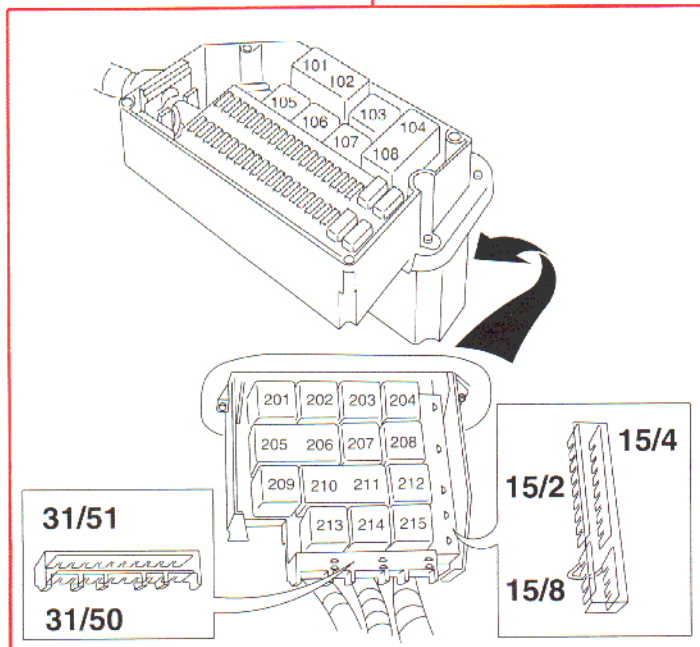
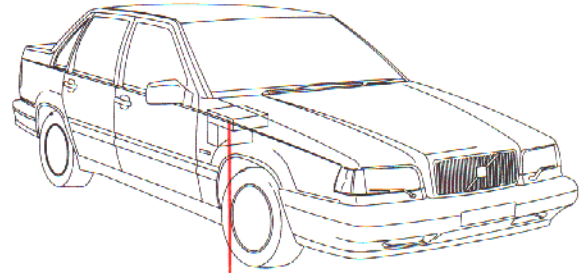
Connection on rails

15/2	30-rail
15/4	15l-rail
15/8	X-rail
31/50	Ground connection rail (power ground)
31/51	Ground connection rail (signal ground)

LHD

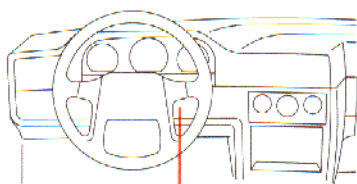
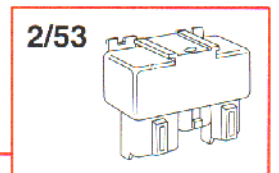
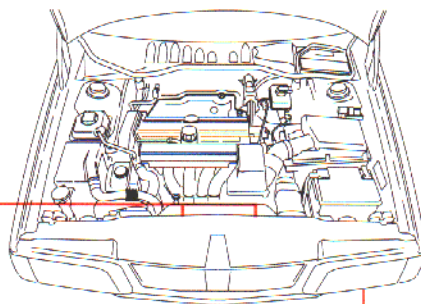
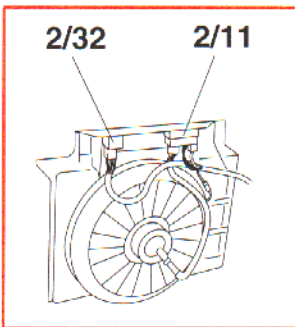
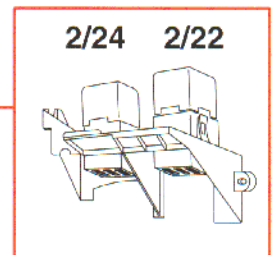
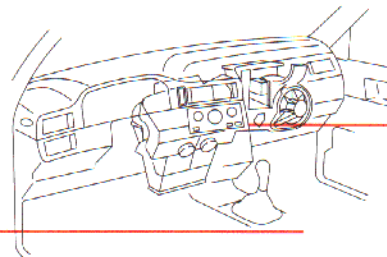
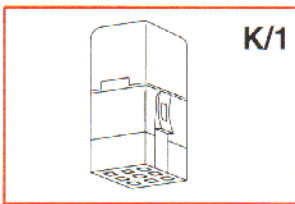
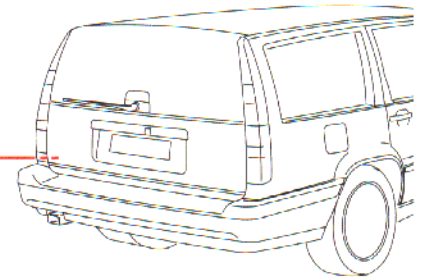
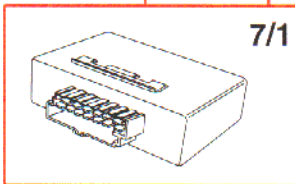
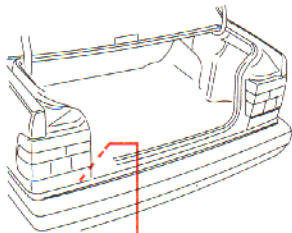
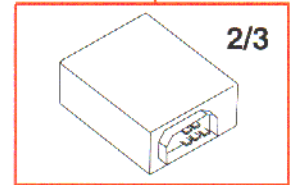
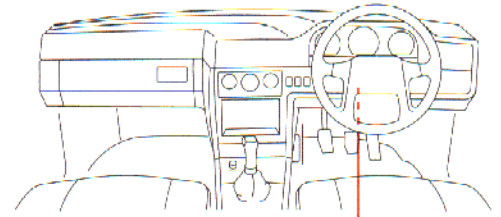


RHD

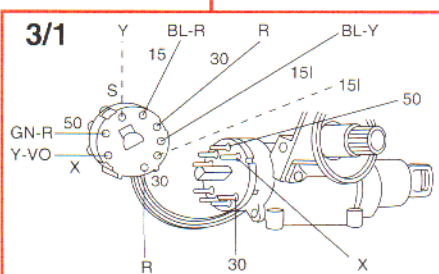


Location of relays outside the central electrical unit

- 2/3 DIM-DIP regulator
- 2/11 Engine cooling fan relay
- 2/22 A/C relay
- 2/24 Fan relay, max.
- 2/32 Main relay, fuel system
- 2/53 Relay, secondary air pump
- 7/1 Rear bulb failure warning sensor
- K/1 Relay, auto-down power window



Ignition switch



Inputs

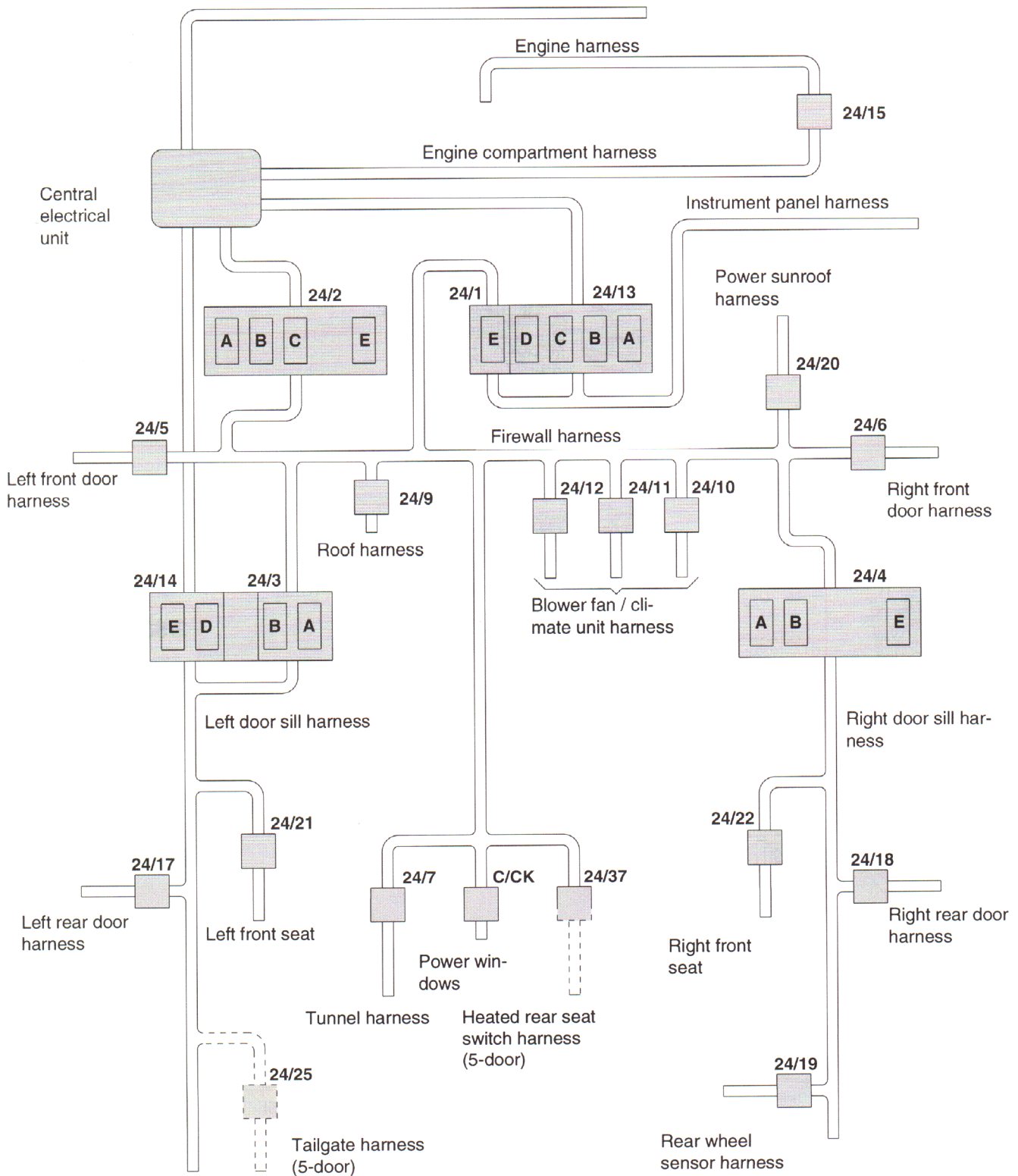
+30: two leads from battery positive terminal

Outputs

Key position::	Voltage at connection:
- Key out	30
0 Off	30, S
I Radio	30, S, X
II Drive	30, S, X, 15, 15I
III Start	30, S, 15, 50

Wiring harnesses and connectors

Overview, LHD cars

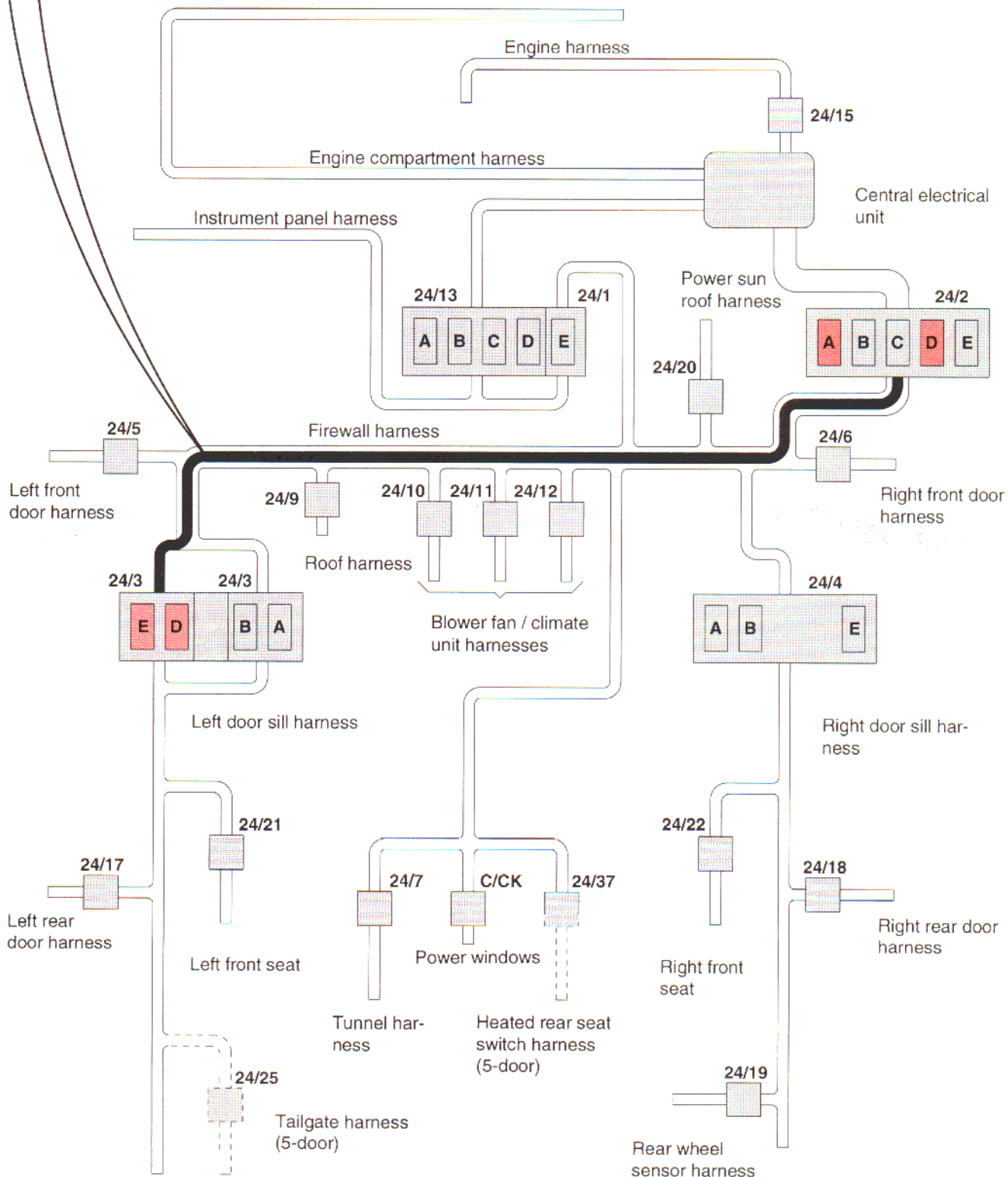
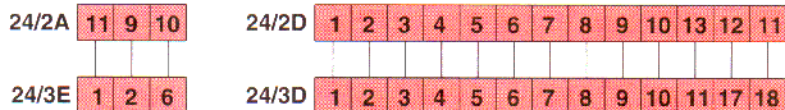


Wiring harnesses and connectors Overview, RHD cars

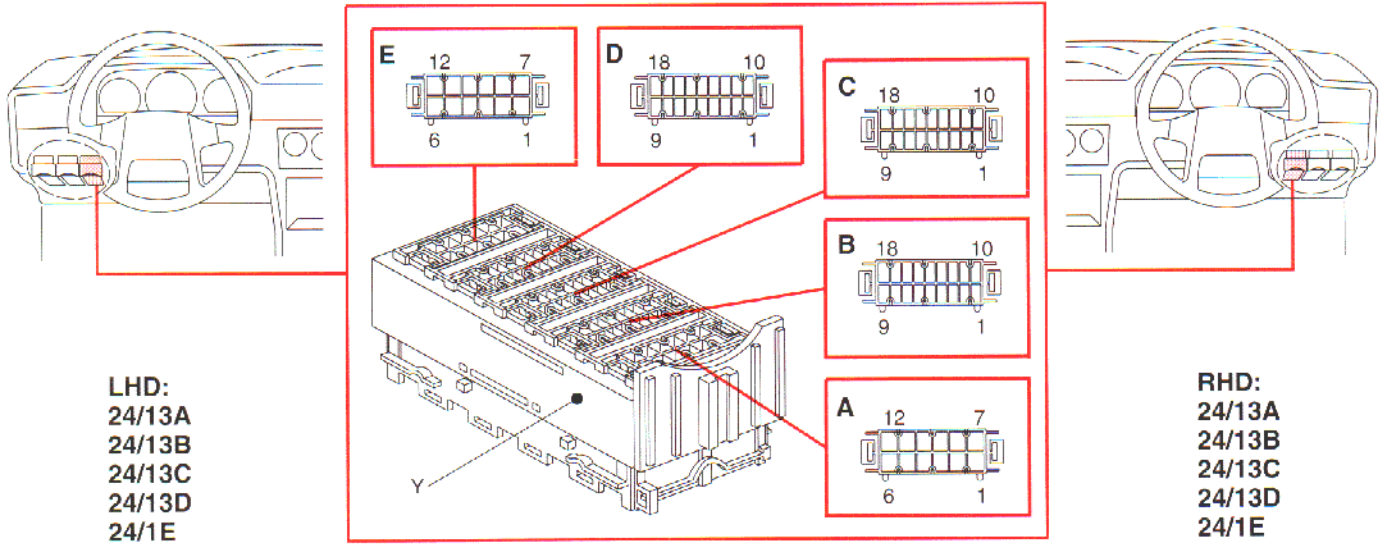
The direct connection between the engine compartment wiring harness and the door sill harness in LHD cars corresponds to a connection via the firewall harness in RHD cars.

Connectors 24/14D and 24/14E (LHD) correspond to connectors 24/3D and 24/3E. Furthermore, connector 24/2D and some of the positions in connector 24/2A are used.

The diagram shows which connectors and which positions are connected to each other.



Connectors 24/1 and 24/13



A Green 12-pin Engine compartment harness - instrument panel harness

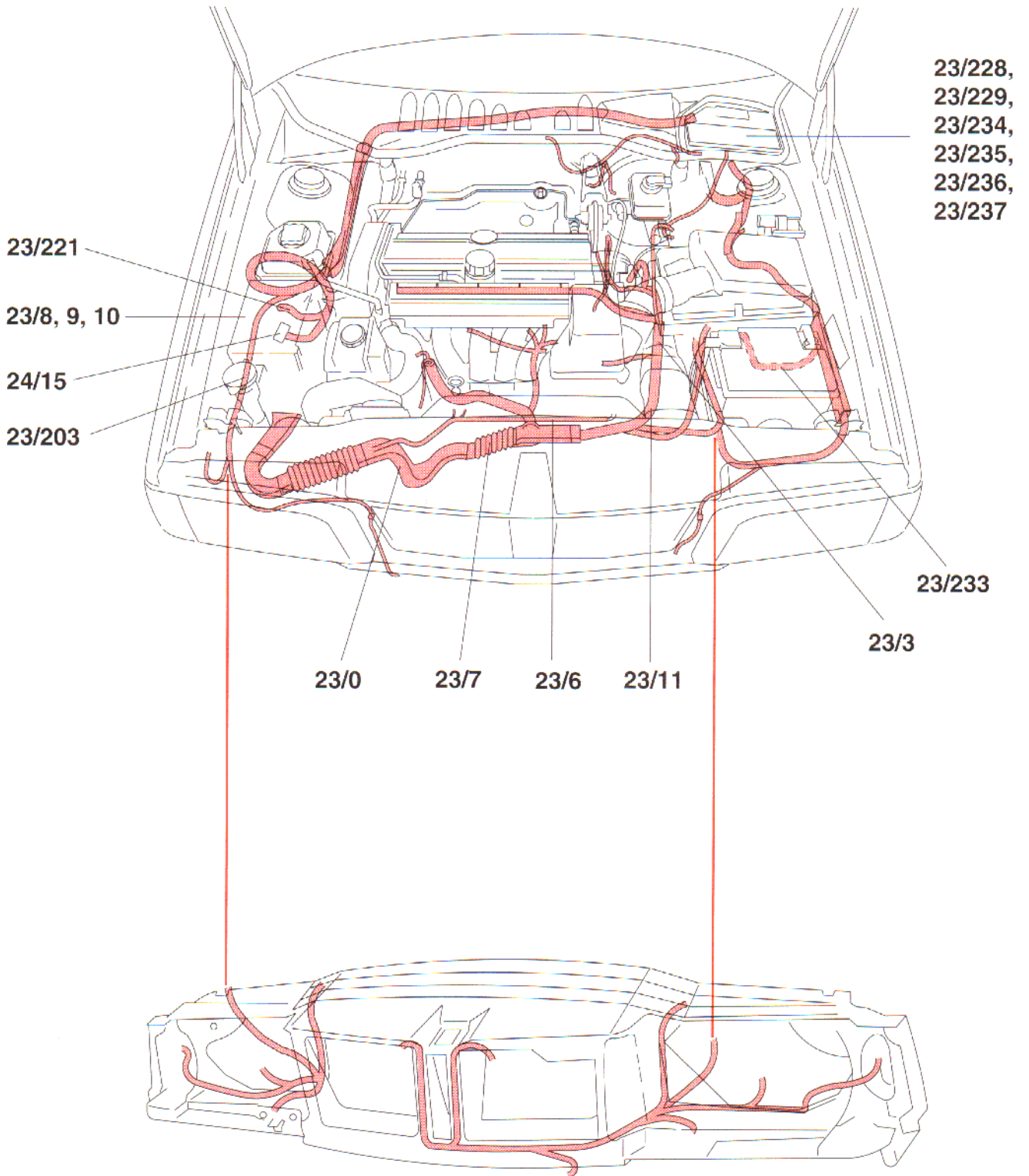
Pos	To / From	Color
1	Radio (+BATT), supply	R-SB
2	Radio (+ACC), supply Remote controlled central locking/alarm, supply	Y-VO
3	-	
4	Branching point 23/301, ground point	SB
5	Remote controlled central locking/alarm	GN-Y
6	-	
7	LED alarm warning, supply	P-W
8	Switch, power sunroof, supply	BN-OR (BL-Y)
9	-	
10	TRACS switch Combined instrument panel, TRACS warning light	GN
11	Switch, heated rear window/door mirrors	Y-R
12	Switch, heated rear window/door mirrors	BL-SB

B Light blue 18-pin Engine compartment harness - instrument panel harness

Pos	To / From	Color
1	Switch, front fog lights	BN-P
2	Switch, front fog lights (LED)	GN-OR
3	Switch, rear fog lights	VO-W
4	Light switch, main headlights Switch, rear fog lights, supply	Y
5	Light switch, supply	BL-Y
6	Light switch, signal automatic low beam	GN-R
7	Light switch, supply Combined instrument panel, supply	R-SB
8	Light switch, parking lights Rheostat	W
9	Rheostat, supply	BN-OR
10	Branching point 23/300, from rheostat. Variable supply	P
11	Beam length control, ground point	OR-SB
12	Beam length control, control signal	BL
13	Beam length control, supply	OR-W
14	Switch, central locking	GR-R
15-17	-	
18	Branching point 23/302, supply	R

Routing of cable harnesses in the car

Engine compartment harness Engine harness



Branching points

For location of branching points, refer to
Routing of cable harnesses in the car, pages 25 - 31.

23/0 (Engine harness)

To / From	Color	Remarks
1/1:+ Battery	R	
2/32:2 Main relay fuel system	R	Not Fenix 5.2
2/32:4 Main relay fuel system	R	
4/10A:10 Control module, EZK (DI) ignition system	R	
4/28A:10 Control module, AW 50-42 automatic transmission	R	
4/45A:10 Control module, LH-Jetronic 3.2 MFI	R	
4/46A:26 Engine control module	R	

23/3 (Engine harness)

To / From	Color	Remarks
4/45A:9 Control module, LH-Jetronic 3.2 MFI	GR	
8/6:2- 8/10:2 Injectors	GR	

23/6 (Engine harness)

To / From	Color	Remarks
2/32:3 Main relay fuel system	GN	
8/17:1 EGR converter	GN	Only Fenix 5.2 and Motronic 4.3 on certain markets
8/18:1 EVAP valve	GN	Only Motronic 4.3/4.4
8/28:1 Turbo control valve (via connector 24/15:14 Engine compartment harness - engine harness)	GN	Only B5204T, B5234T/T5
8/43:1 Solenoid, aux. air intake	GN	Only Fenix 5.2 on certain markets and Motronic 4.4
8/44:1 Canister valve (via connector 24/15:14 Engine compartment harness - engine harness)	GN	Only Motronic 4.4 on certain markets
23/11 Branching point	GN	

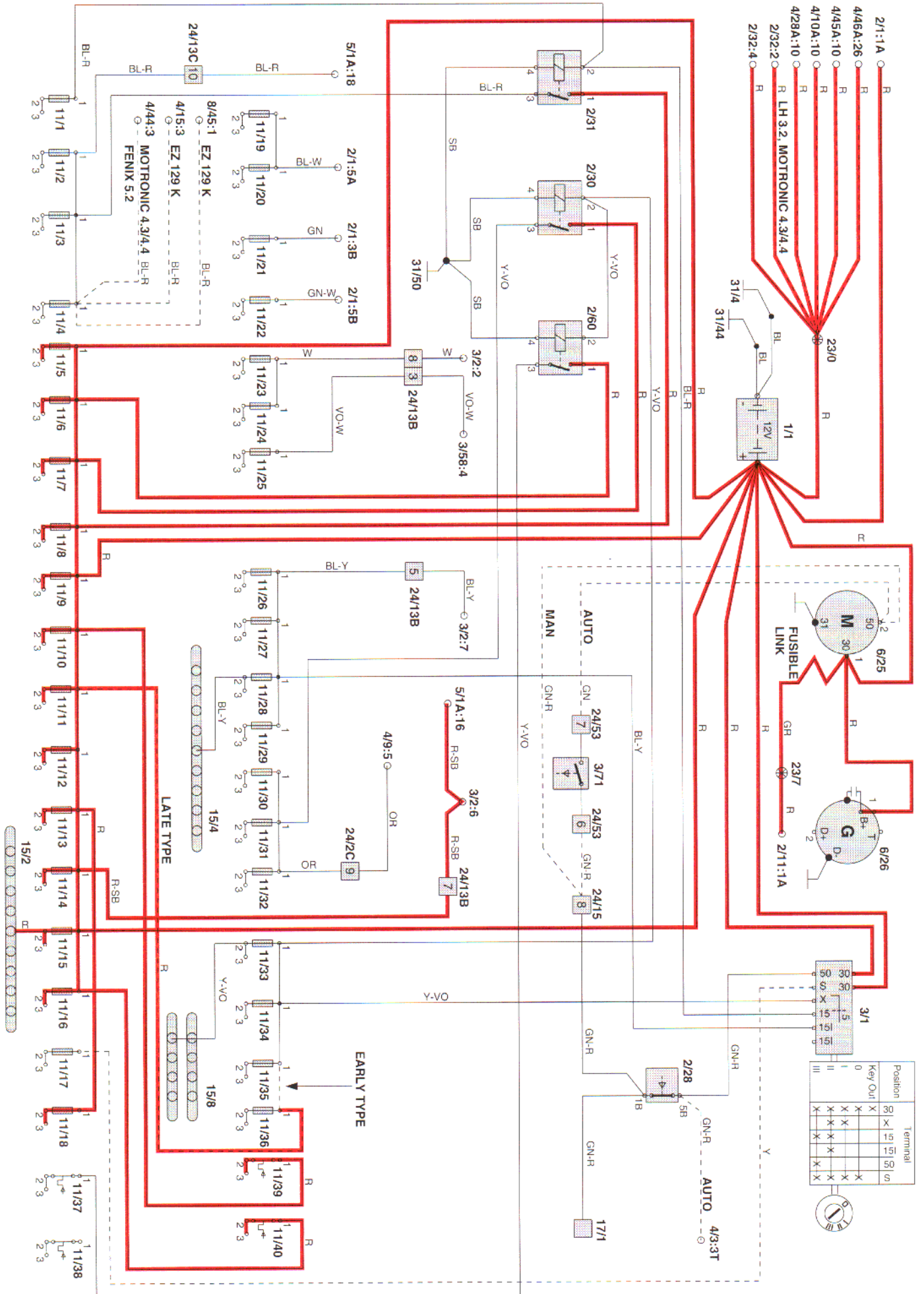
23/7 (Engine harness)

To / From	Color	Remarks
6/25:1 Starter motor	GR	
2/11:1A Engine cooling fan, FC relay	R	

23/8 (Engine harness, in the control module box)

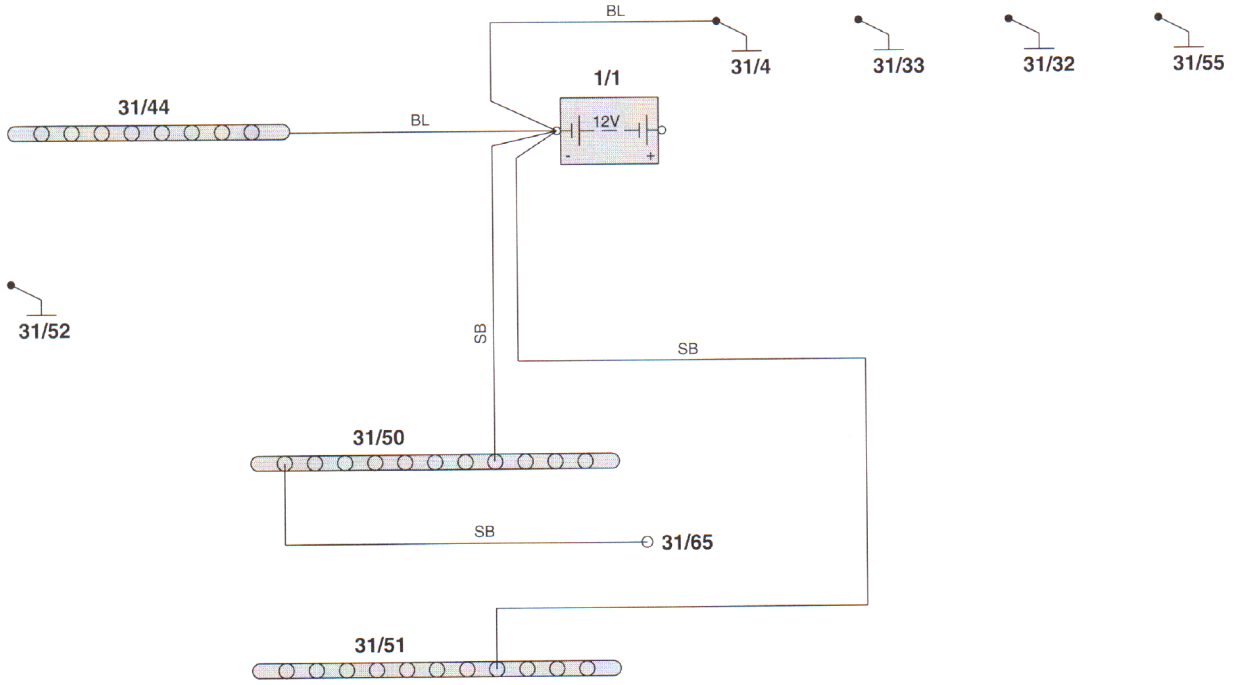
To / From	Color	Remarks
4/46A:18 Engine control module	BN-SB	
7/16:2 Engine coolant temperature sensor ECT (+)	BN-SB	
7/21:1 Camshaft position sensor (CMP)	BN-SB	
7/37:2 Temperature sensor, EGR	BN-SB	Only Motronic 4.3 on certain markets
7/54:1 Throttle position (TP) sensor	BN-SB	
7/77:2 Air intake temperature sensor	BN-SB	Only Fenix 5.2
7/81:A Pressure sensor, intake manifold	BN-SB	Only Fenix 5.2

Electrical distribution unit

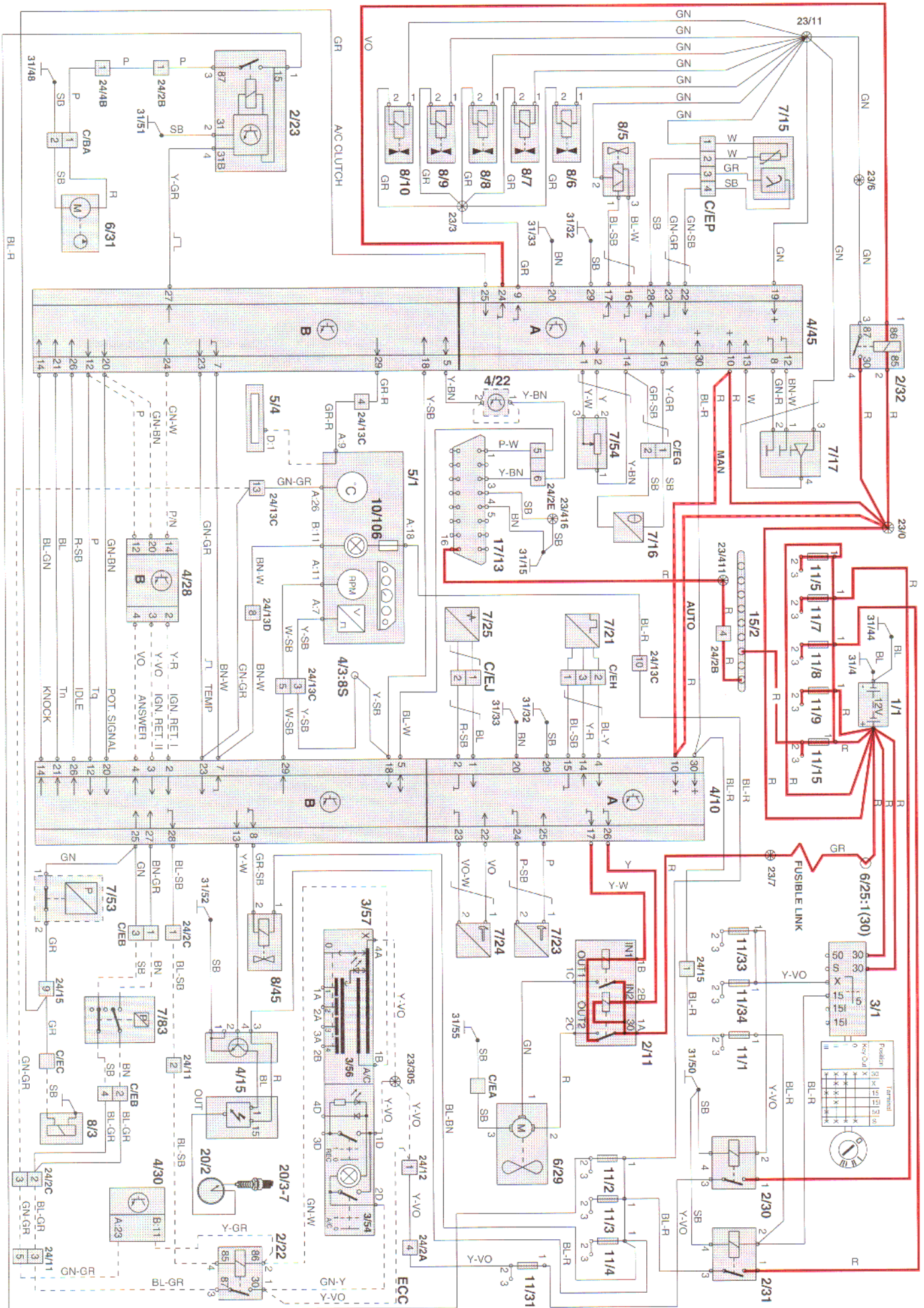


Position	Terminal
0	10
1	11
2	12
3	13
4	14
5	15
6	16
7	17
8	18
9	19
10	20
11	21
12	22
13	23
14	24
15	25
16	26
17	27
18	28
19	29
20	30
21	31
22	32
23	33
24	34
25	35
26	36
27	37
28	38
29	39
30	40
31	41
32	42
33	43
34	44
35	45
36	46
37	47
38	48
39	49
40	50

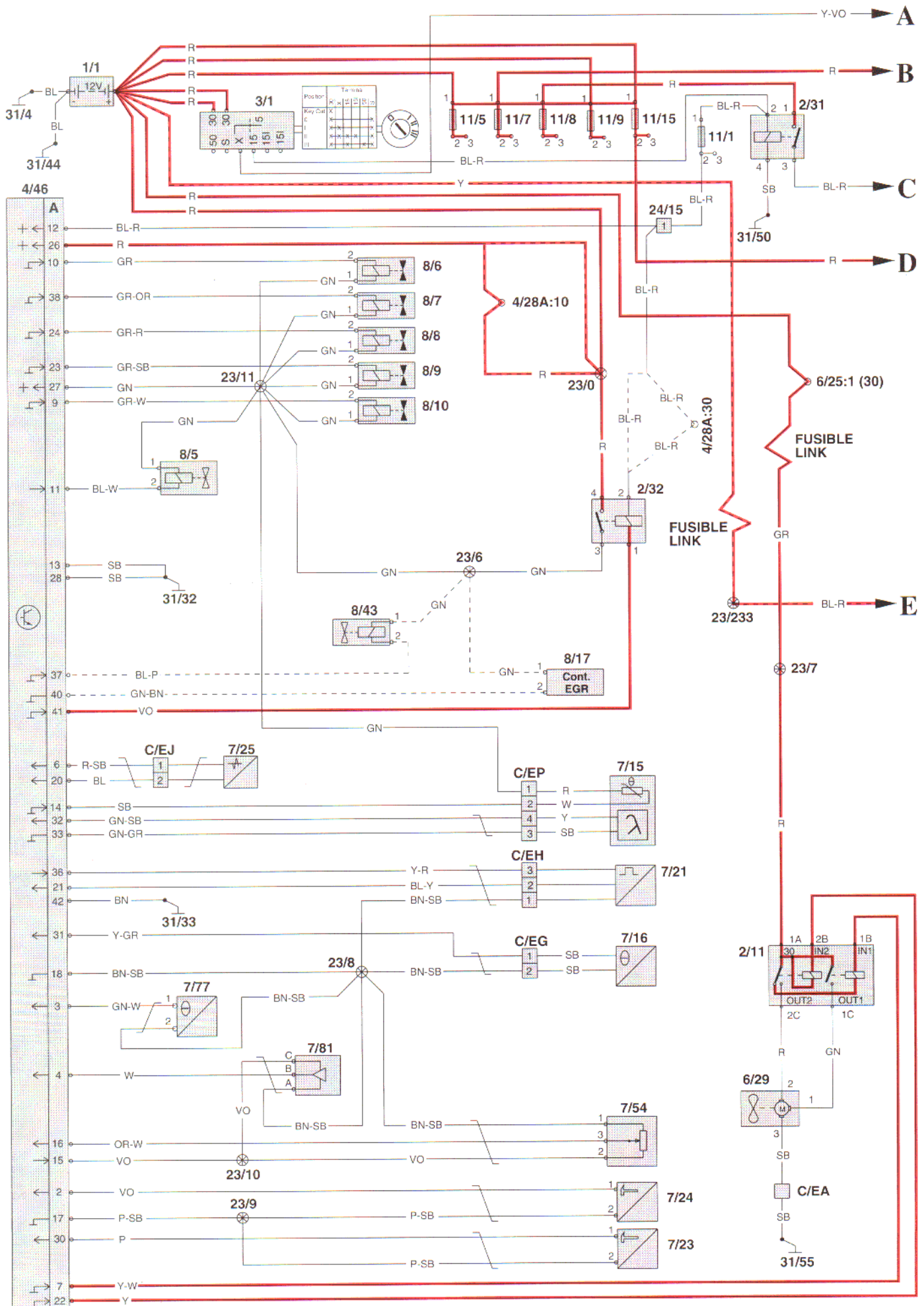
Ground points



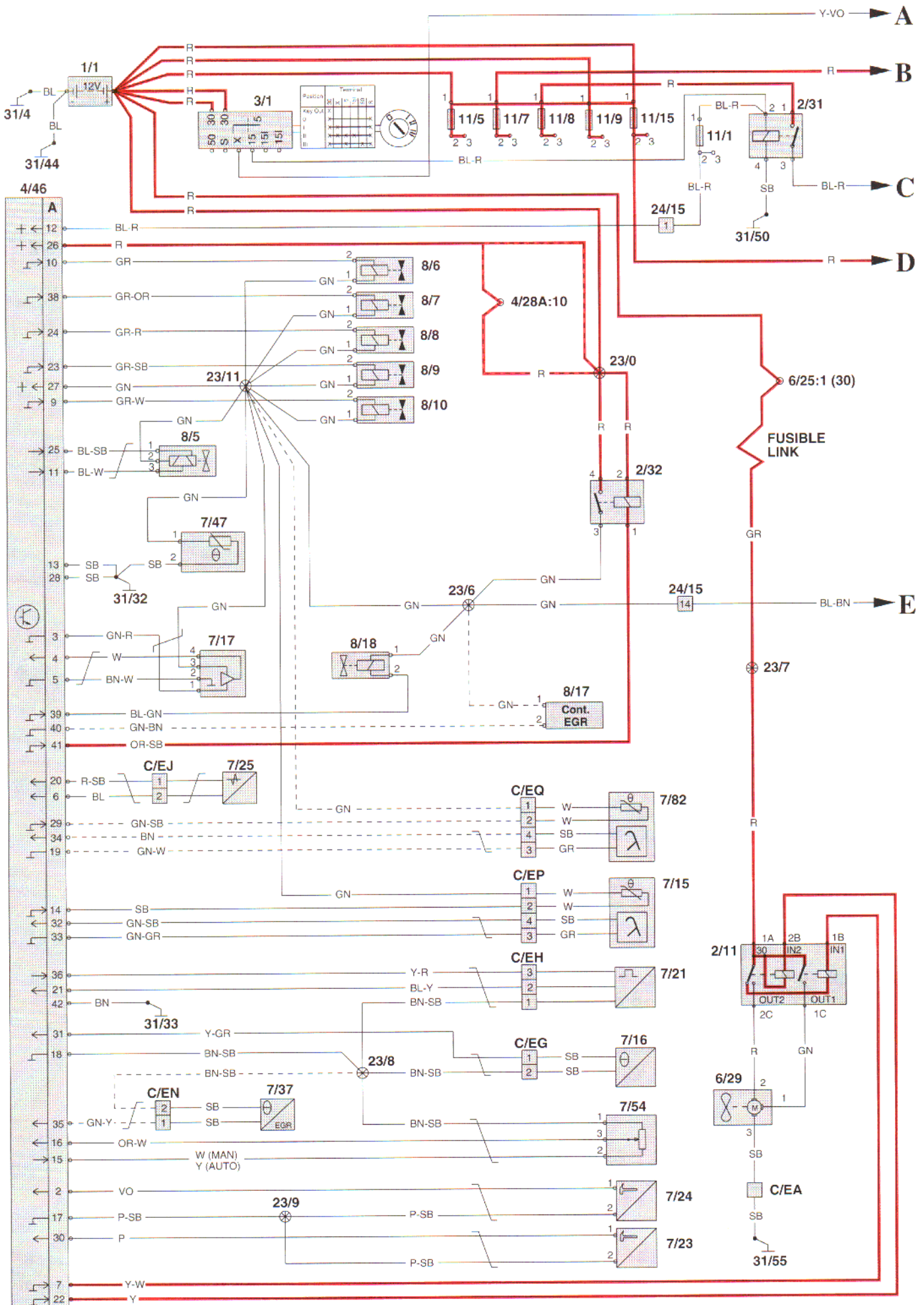
Multiport fuel injection (MFI) system, LH-jetronic 3.2 & EZ 129 K



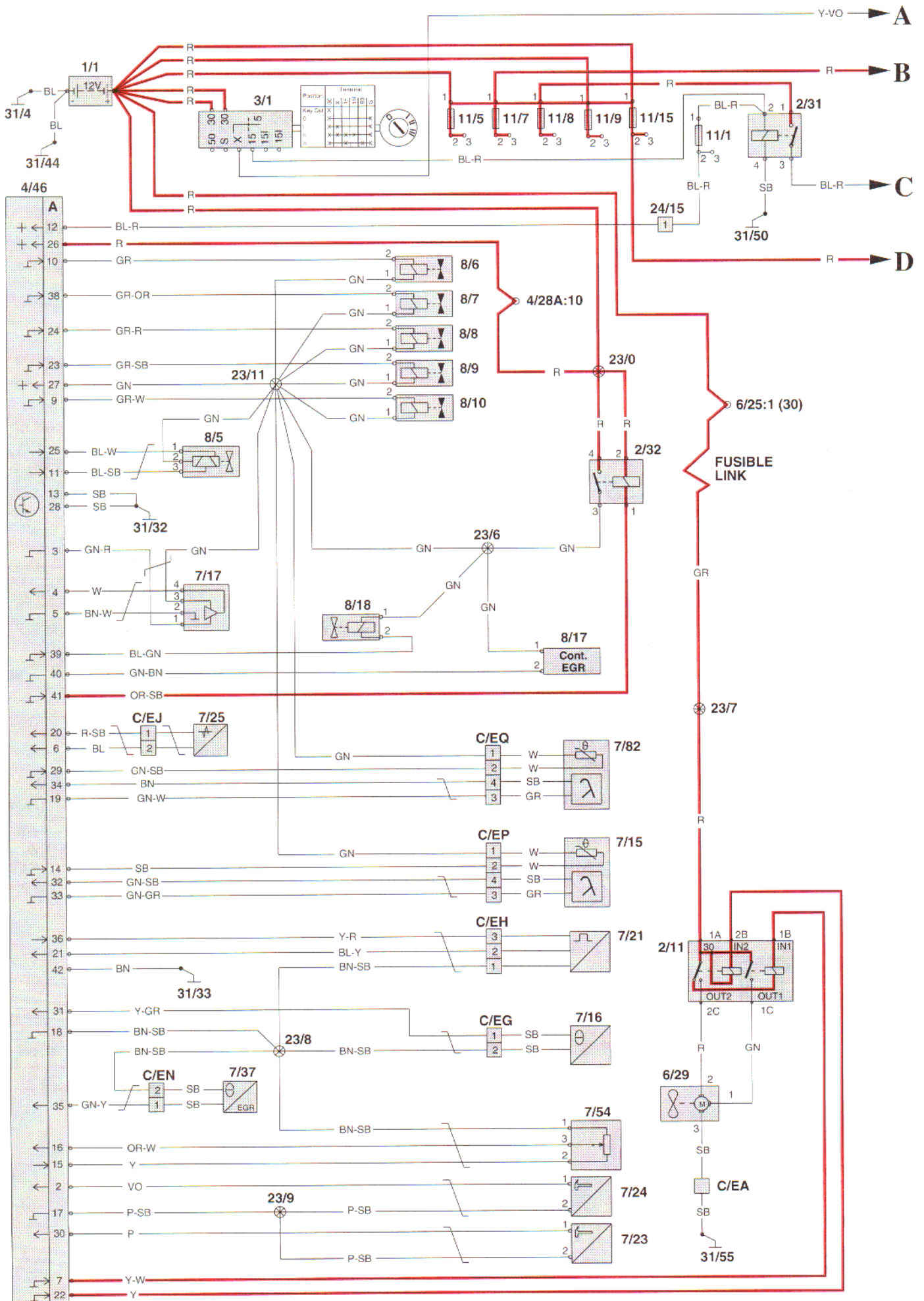
Multipoint fuel injection (MFI) system, Fenix 5.2



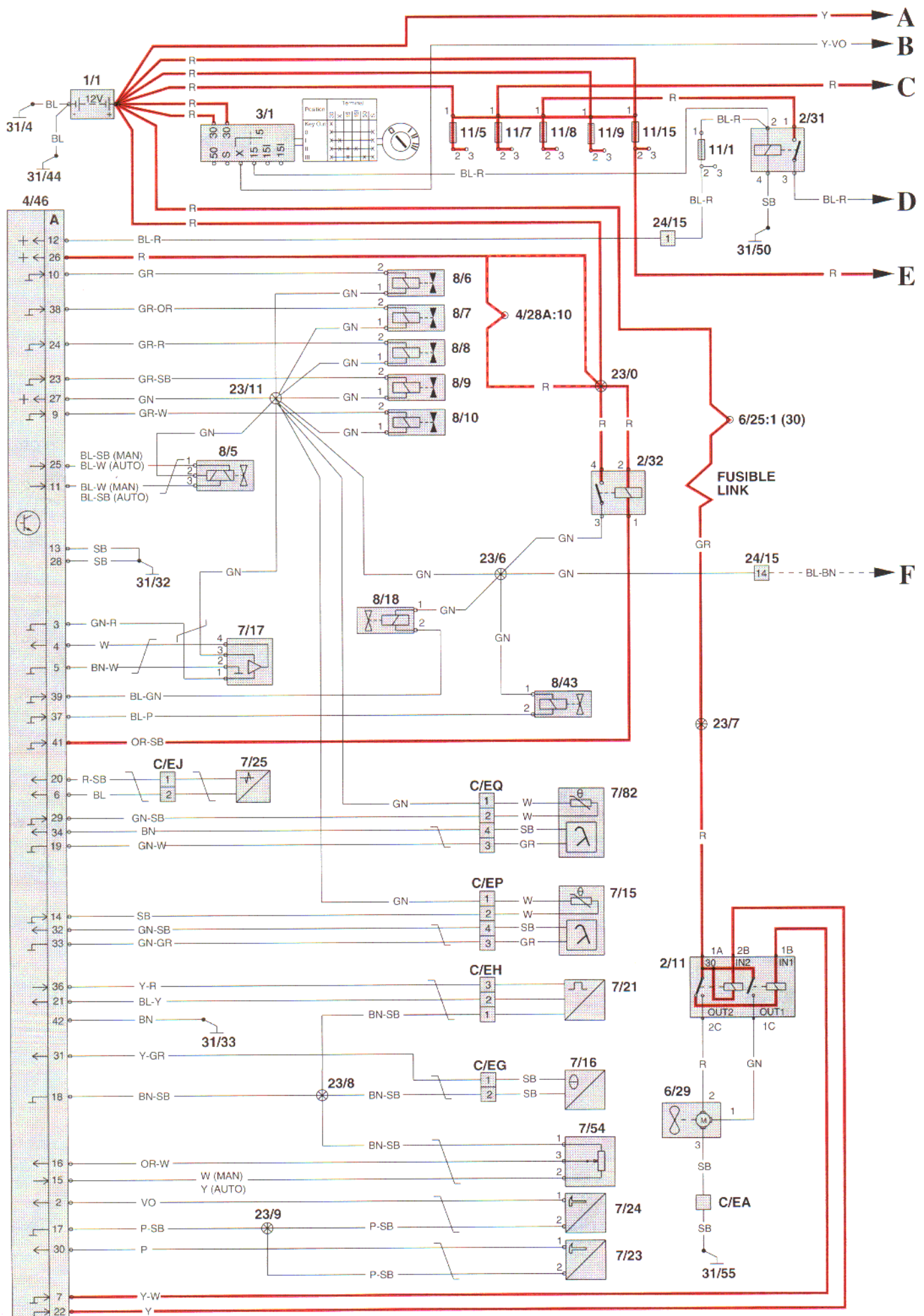
Sequential fuel injection system, Motronic 4.3 (B 5204 T, B 5234 T/T5)



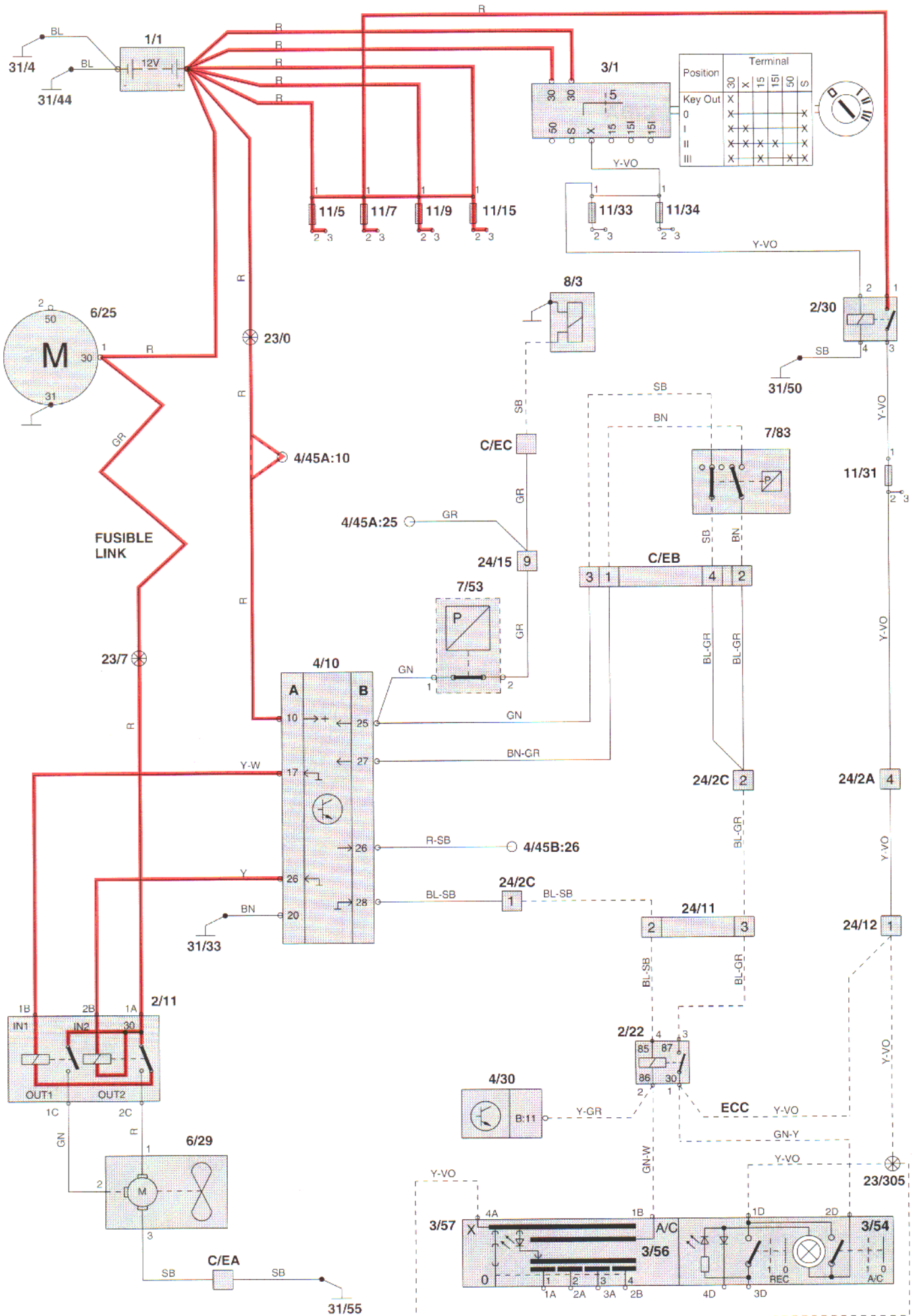
Sequential fuel injection (SFI) system, Motronic 4.3 (B 5254 S)



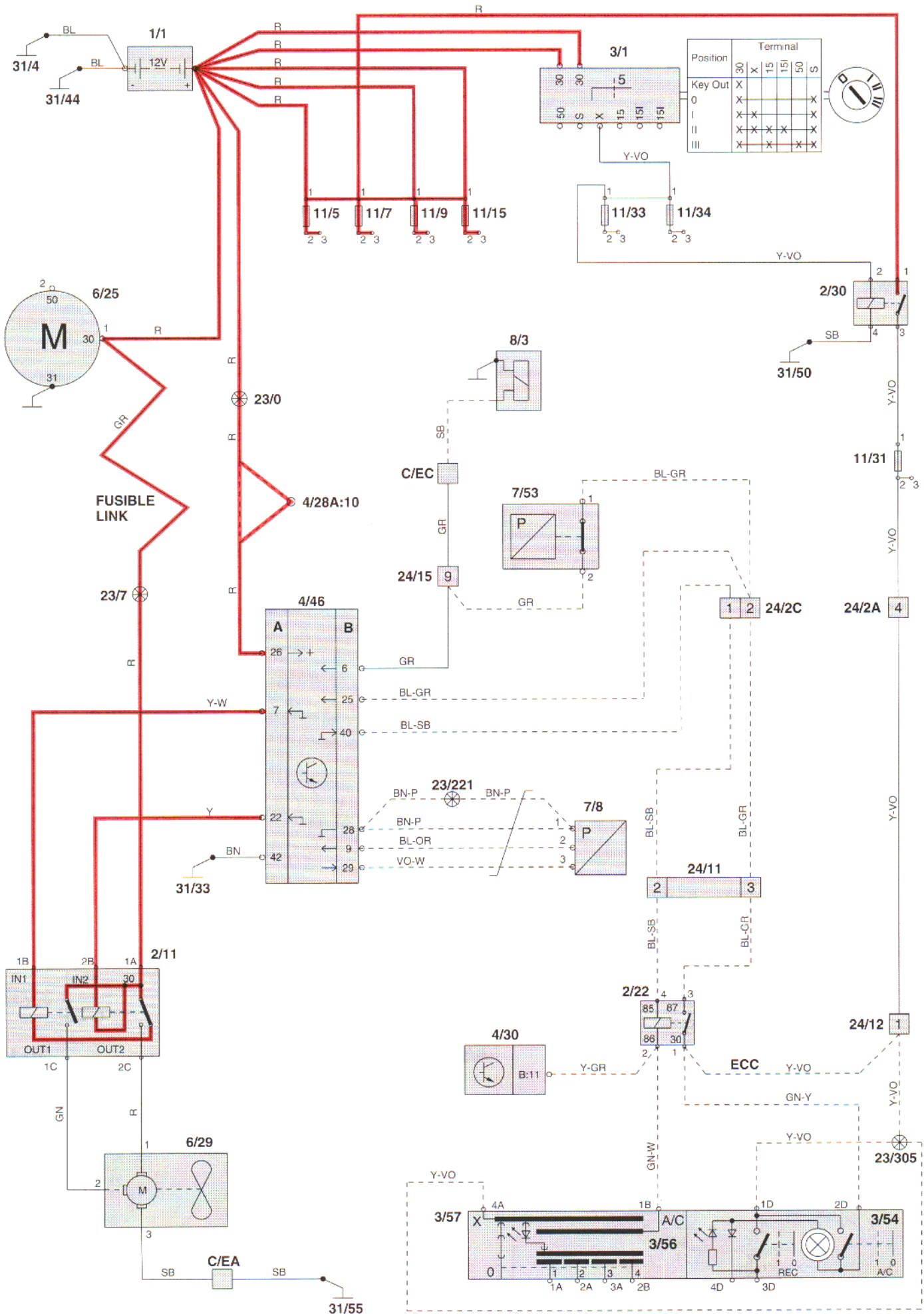
Sequential fuel injection (SFI) system, Motronic 4.4 (B 5254 S)



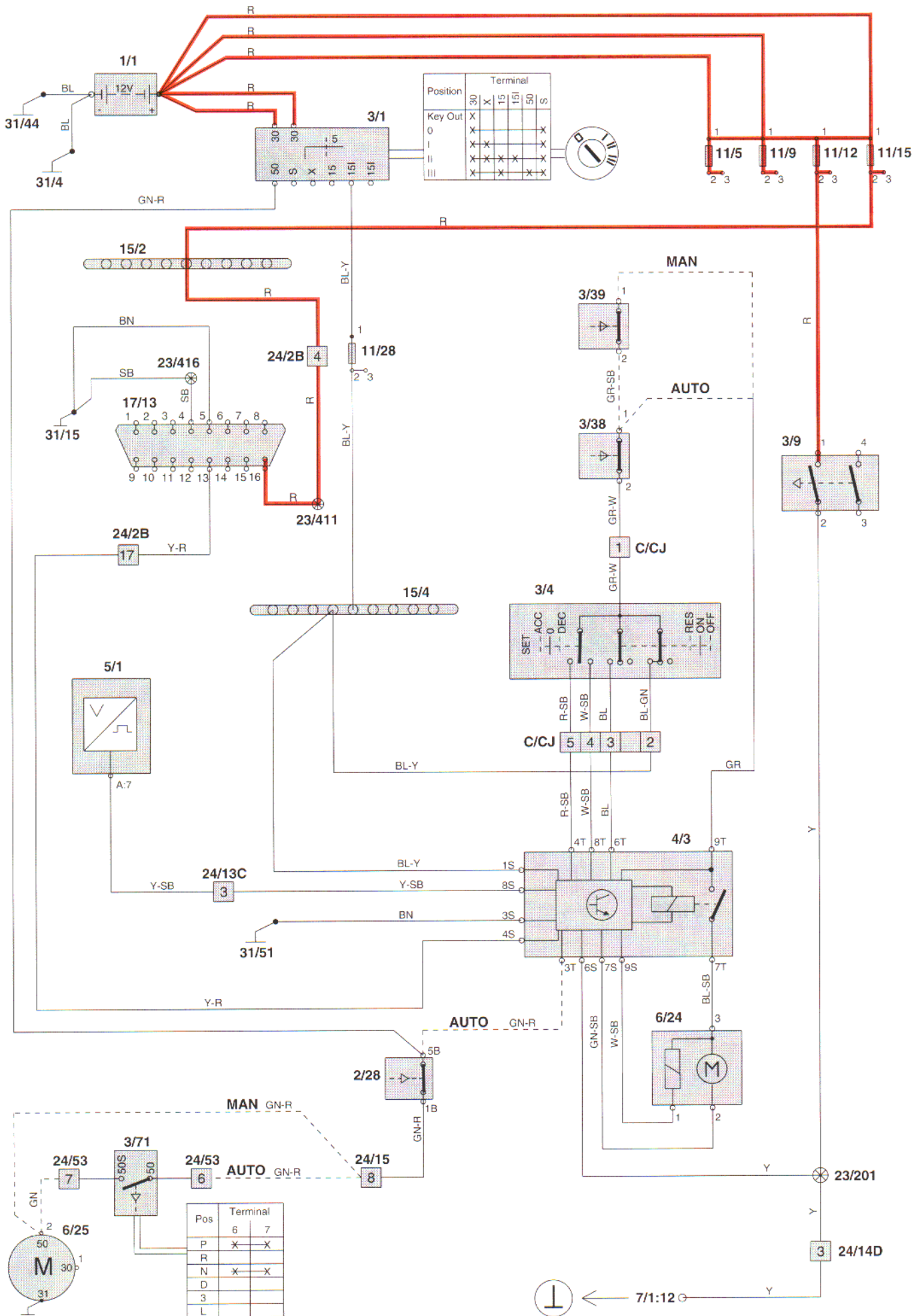
Engine cooling fan (EZ 129 K)



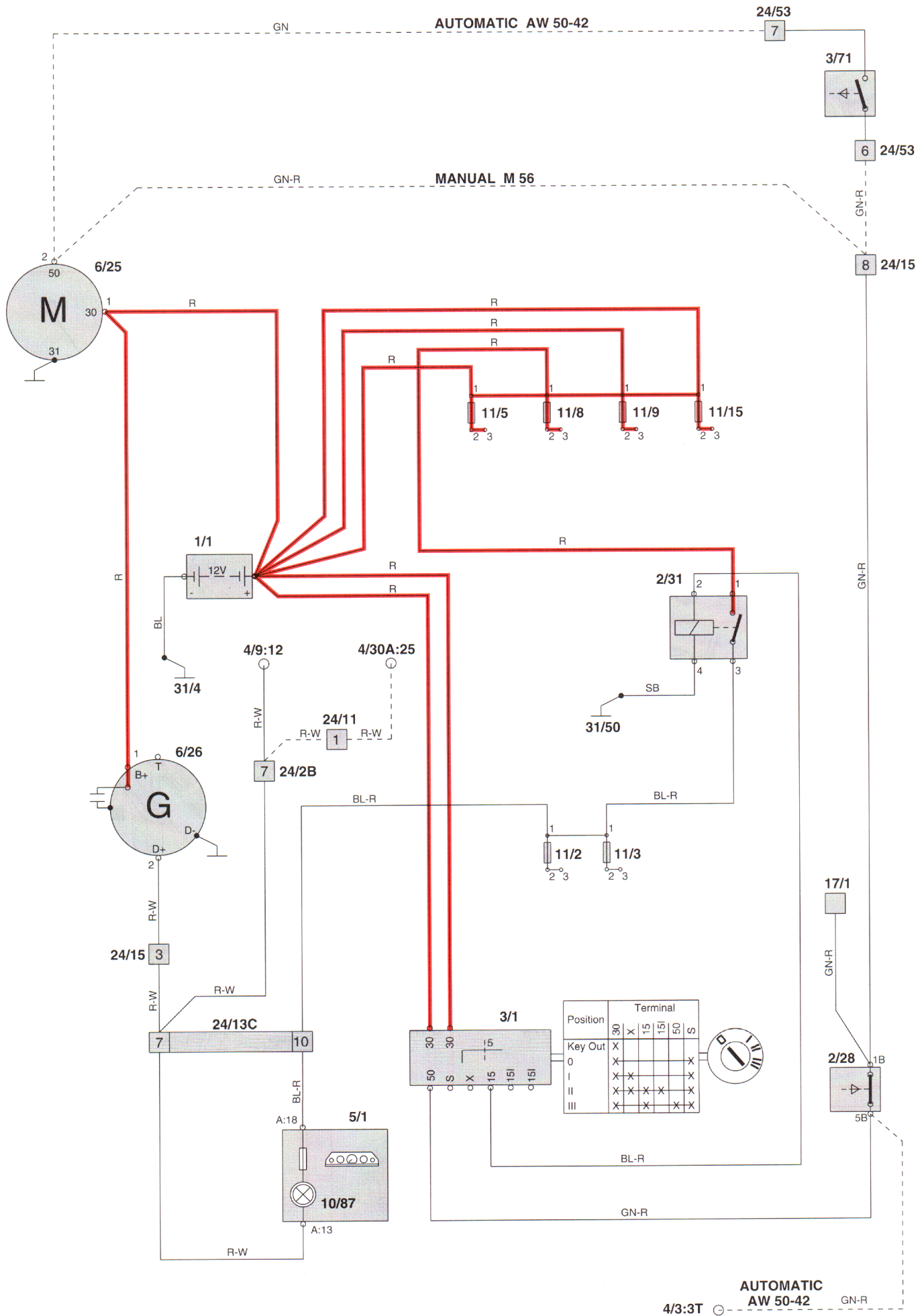
Engine cooling fan (Fenix 5.2, Motronic 4.3/4.4)



Cruise control



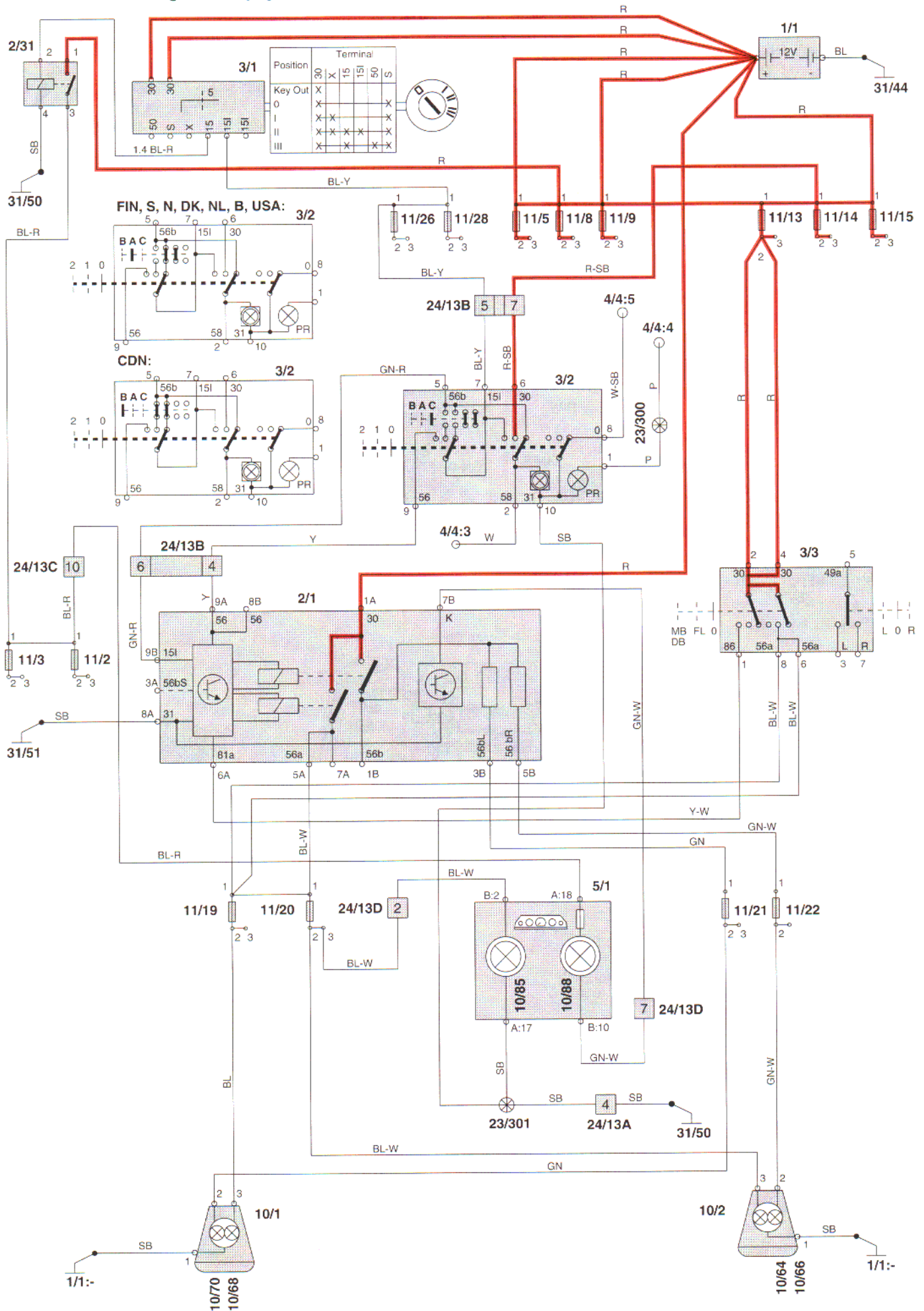
Charging circuit and starting system



AUTOMATIC AW 50-42
4/3:3T GN-R

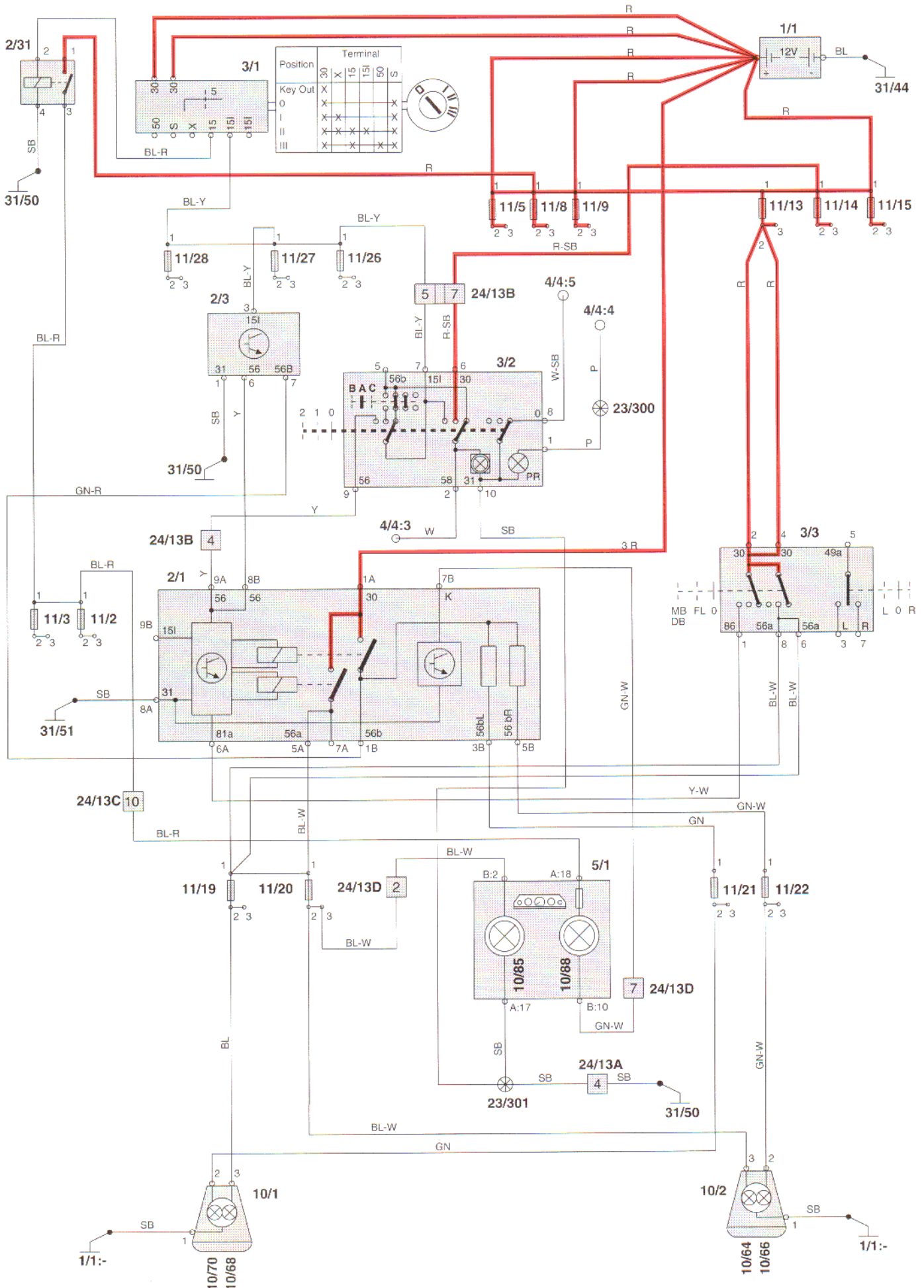
High and low beams

For function diagram, see pages 206, 207 and 208.

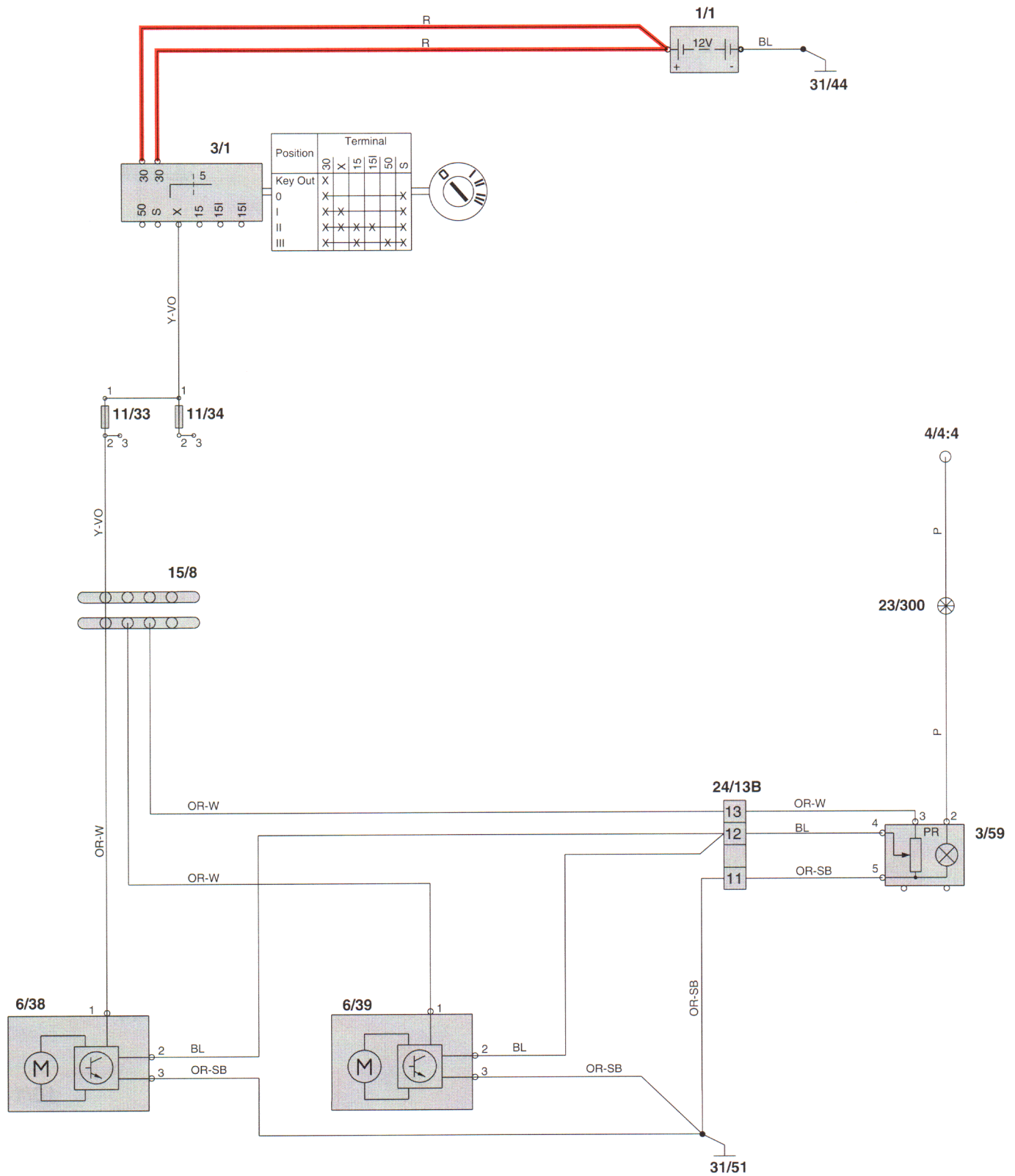


High and low beams, DIM-DIP

For function diagram, see page 209.

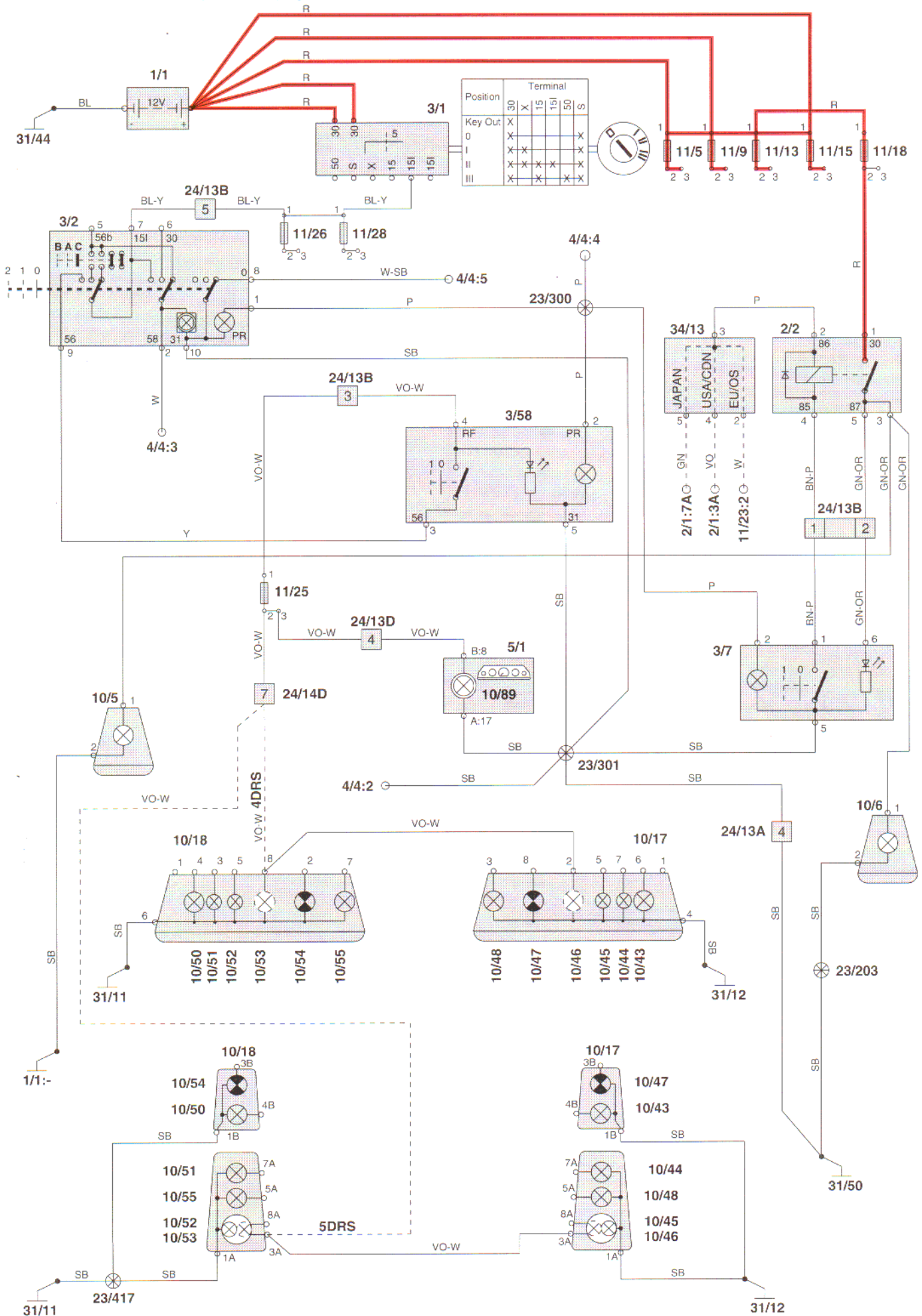


Beam length control

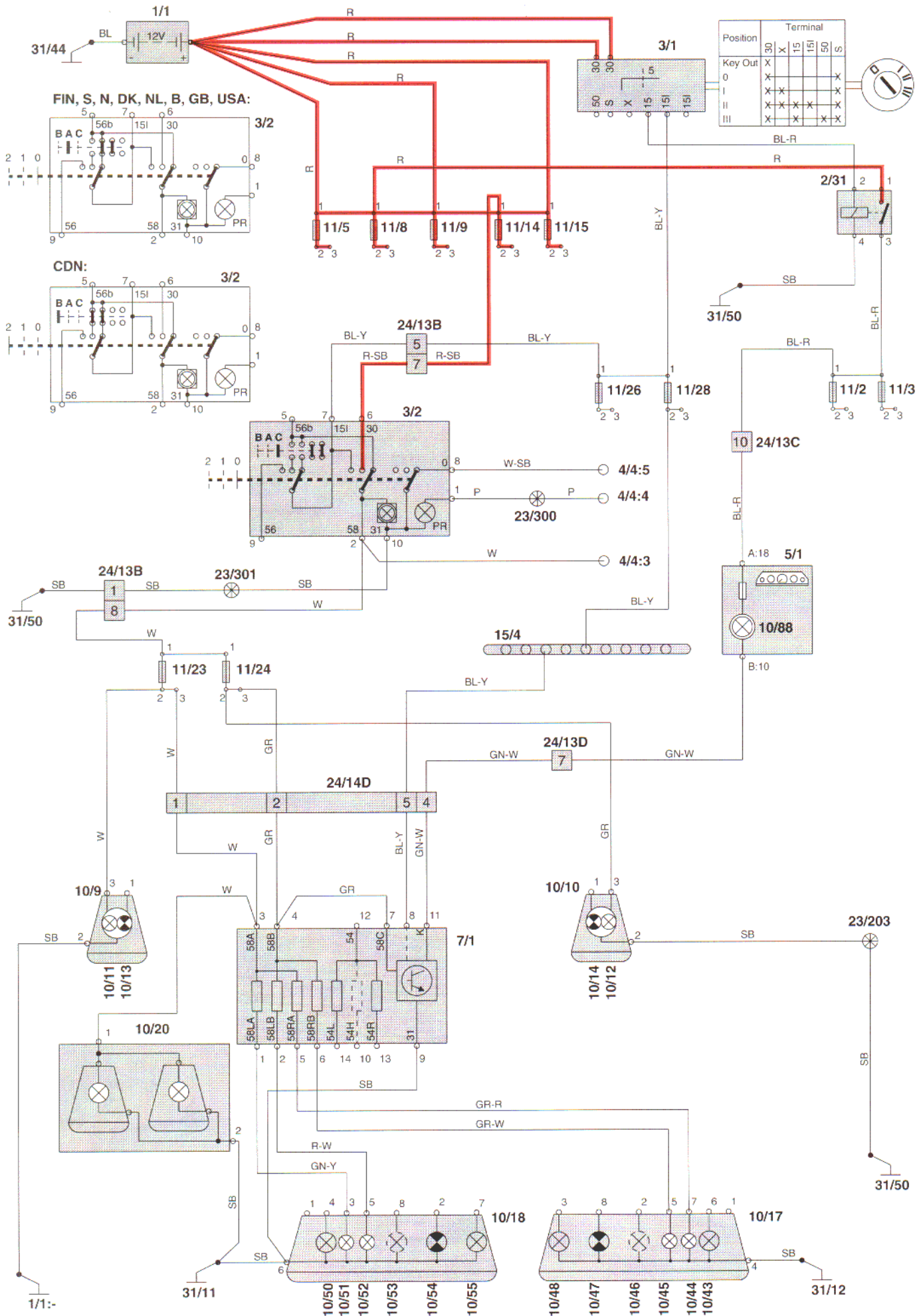


Fog lights

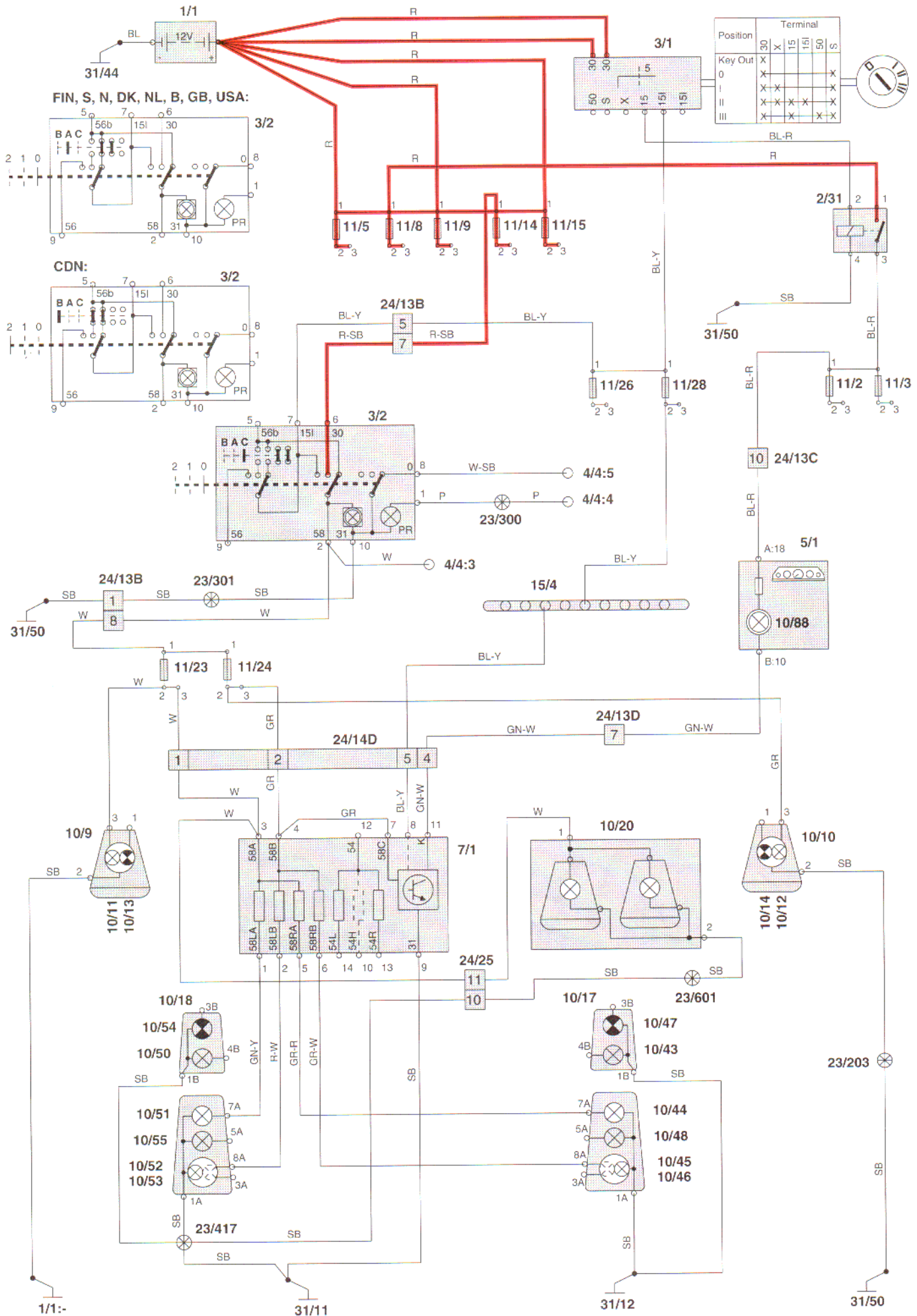
For function diagram, see pages 210 och 211.



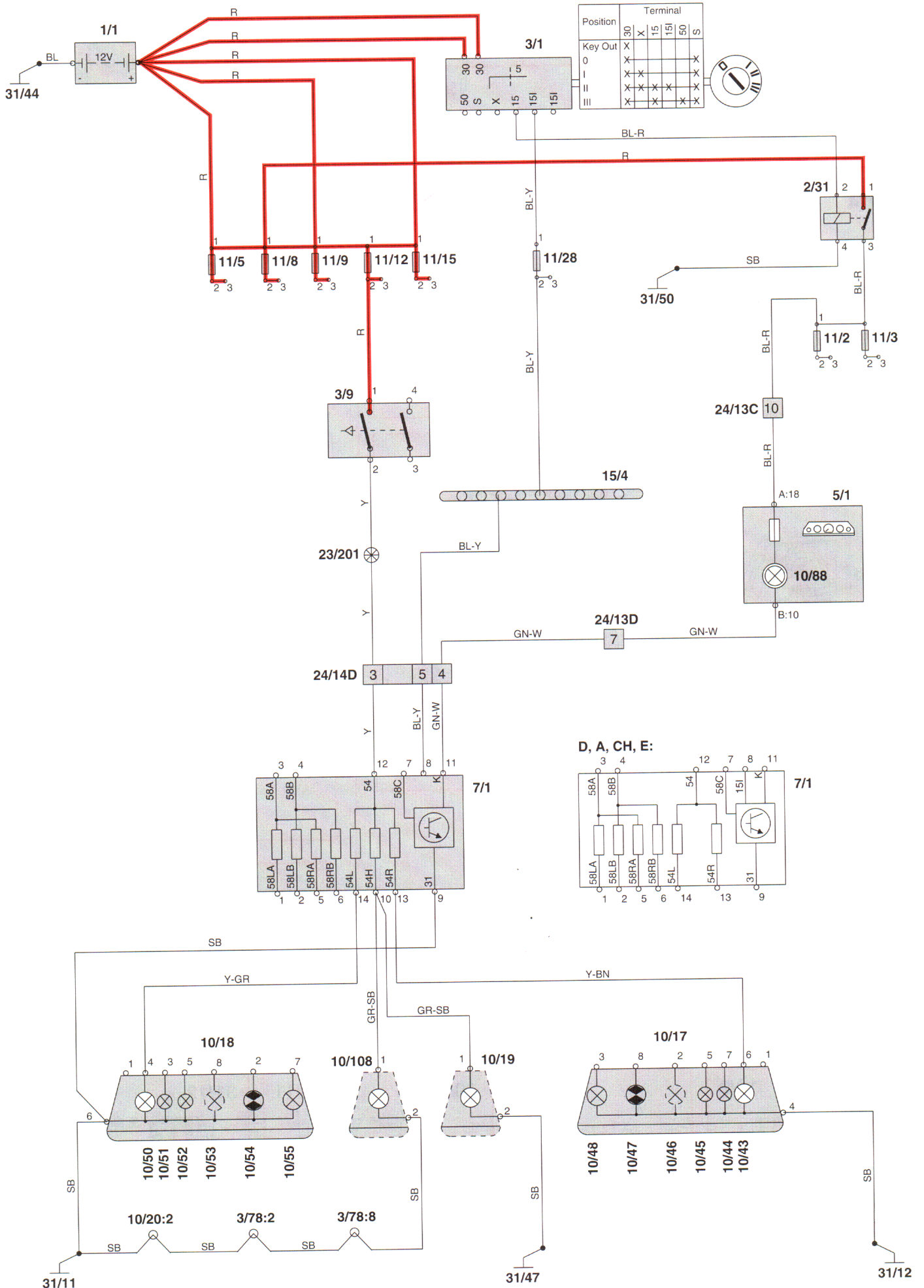
Parking lights, tail lights and license plate lights, 4-door



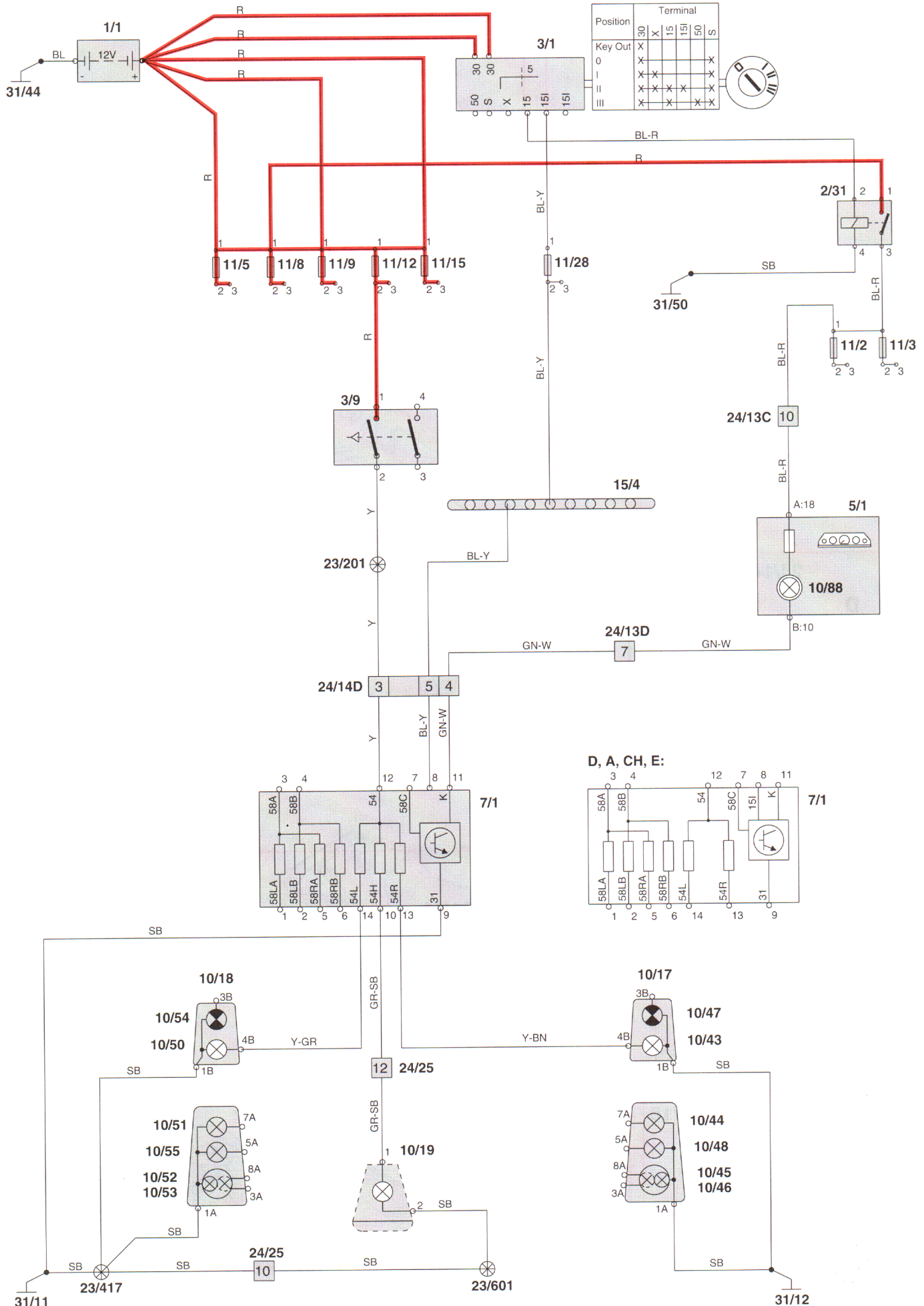
Parking lights, tail lights and license plate lights, 5-door



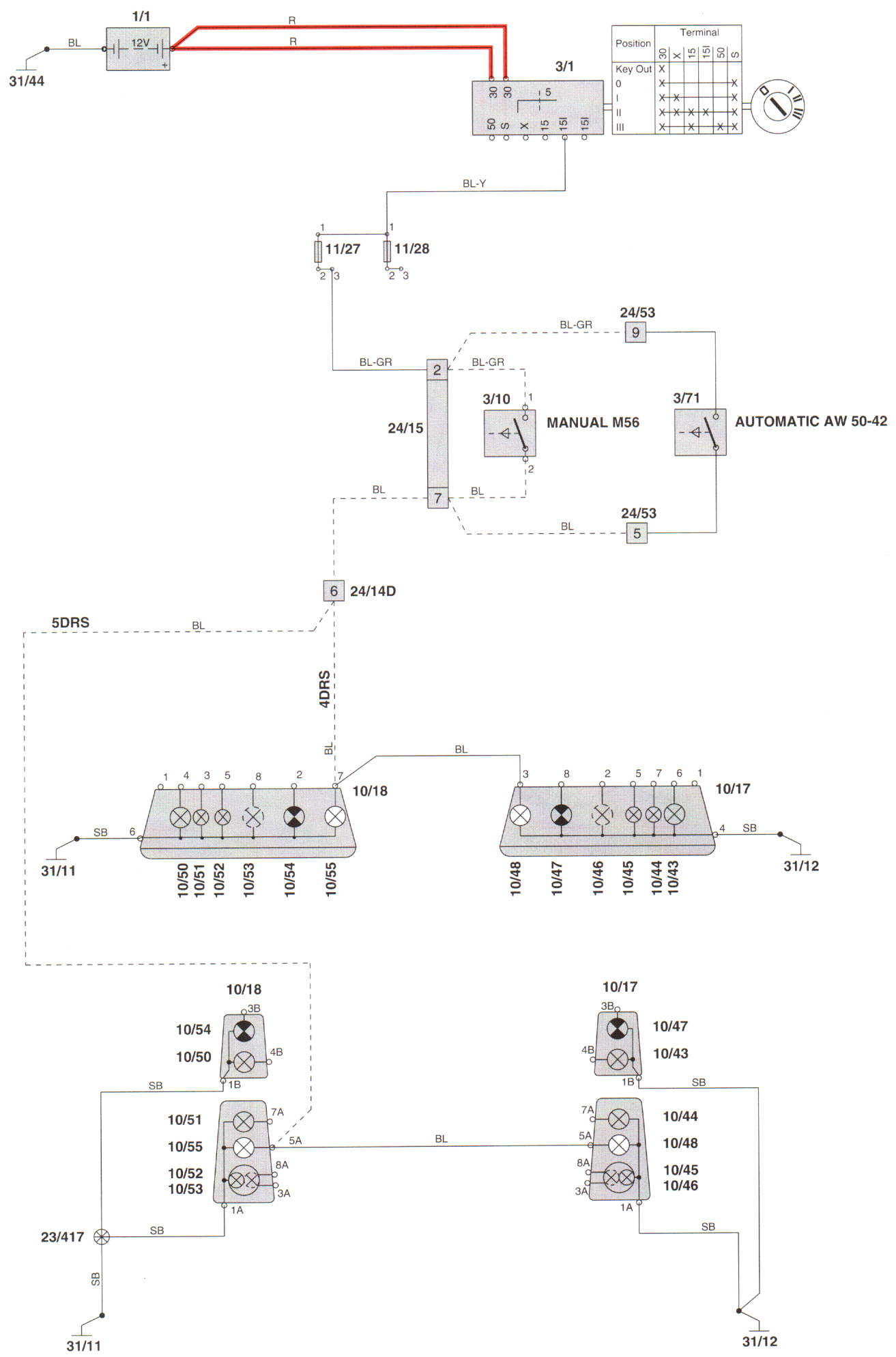
Stop (brake) lights, 4-door



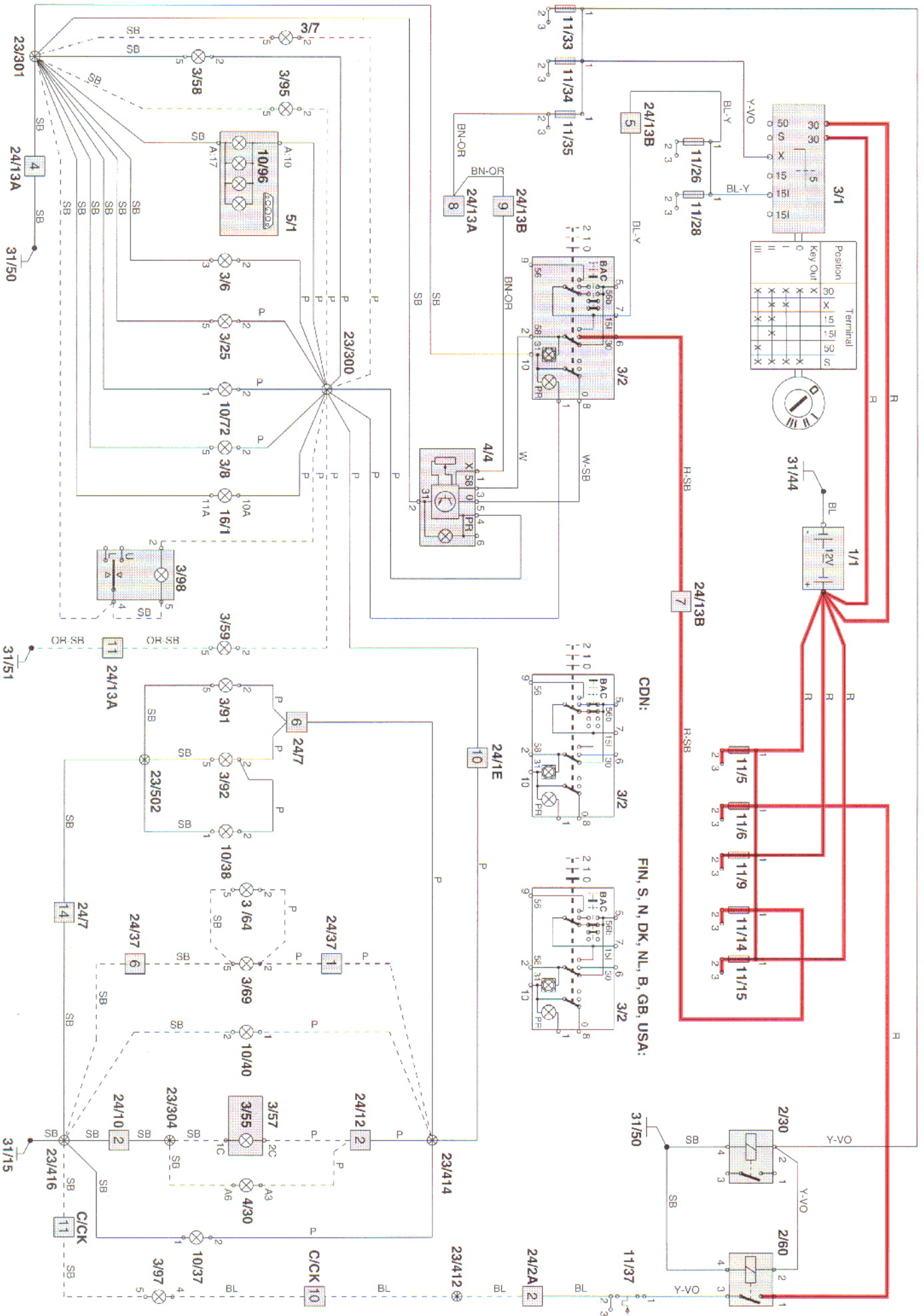
Stop (brake) lights, 5-door



Back-up (reversing) lights

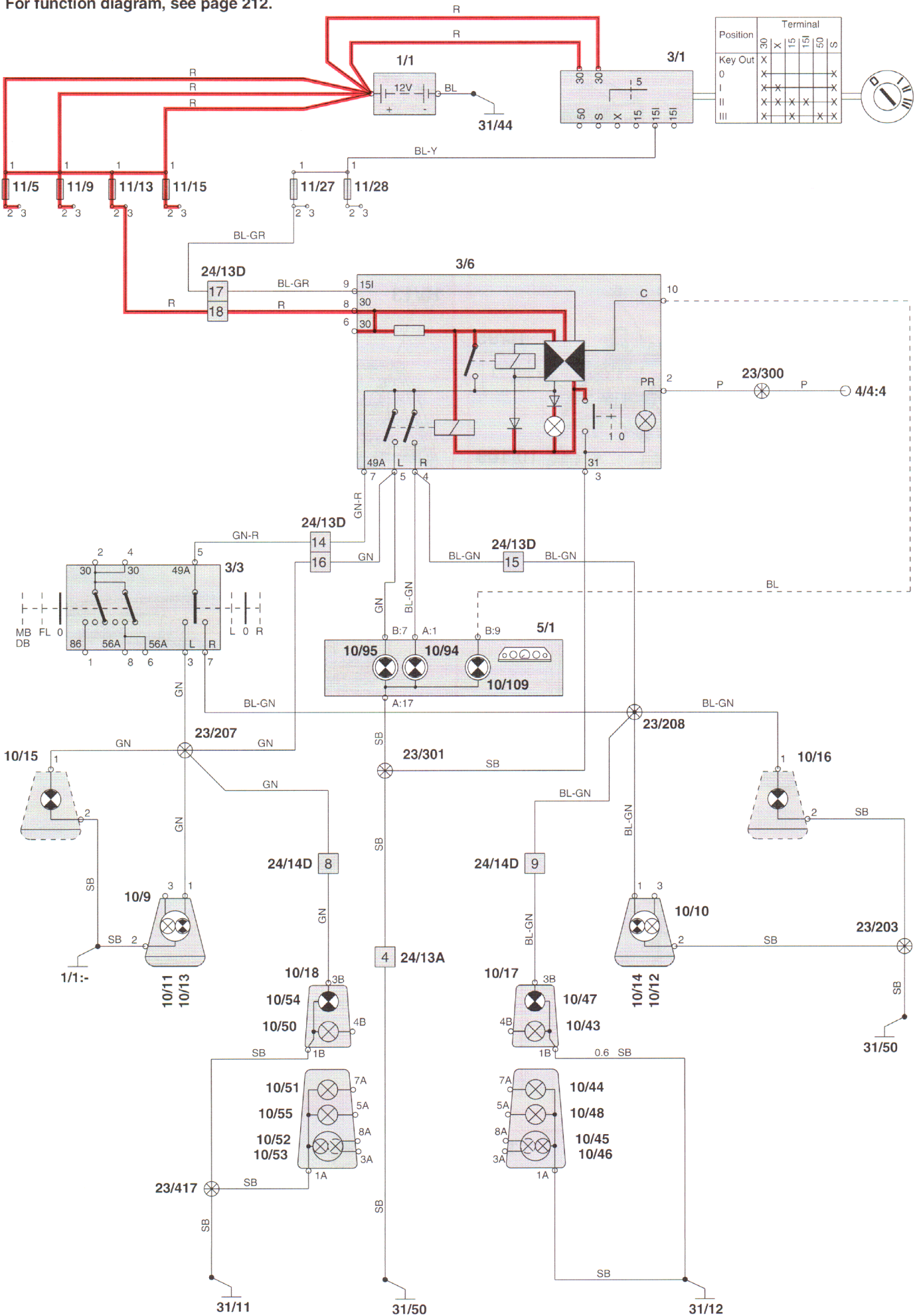


Instrumentation and control lighting



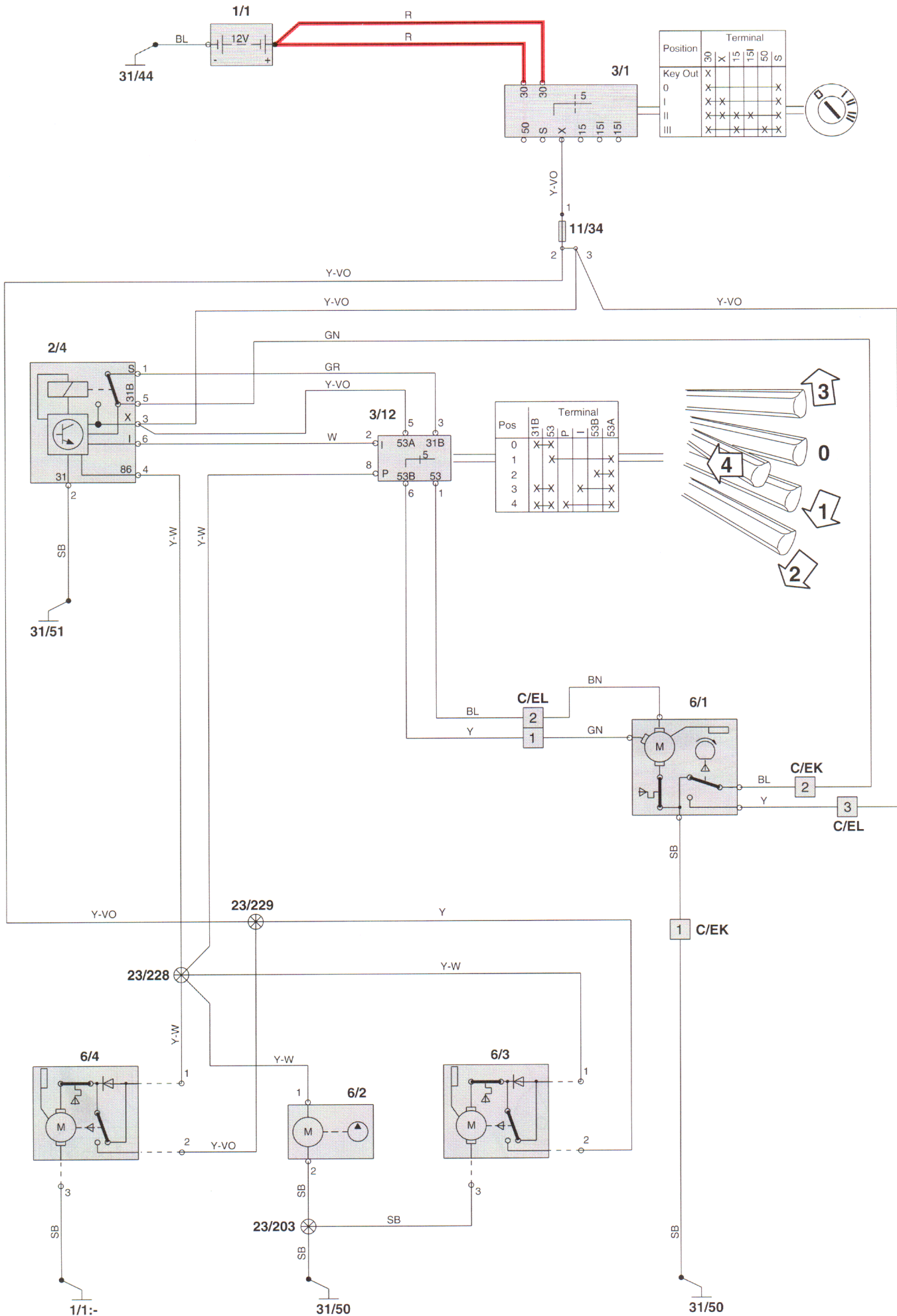
Turn signal / hazard lights, 5-door

For function diagram, see page 212.

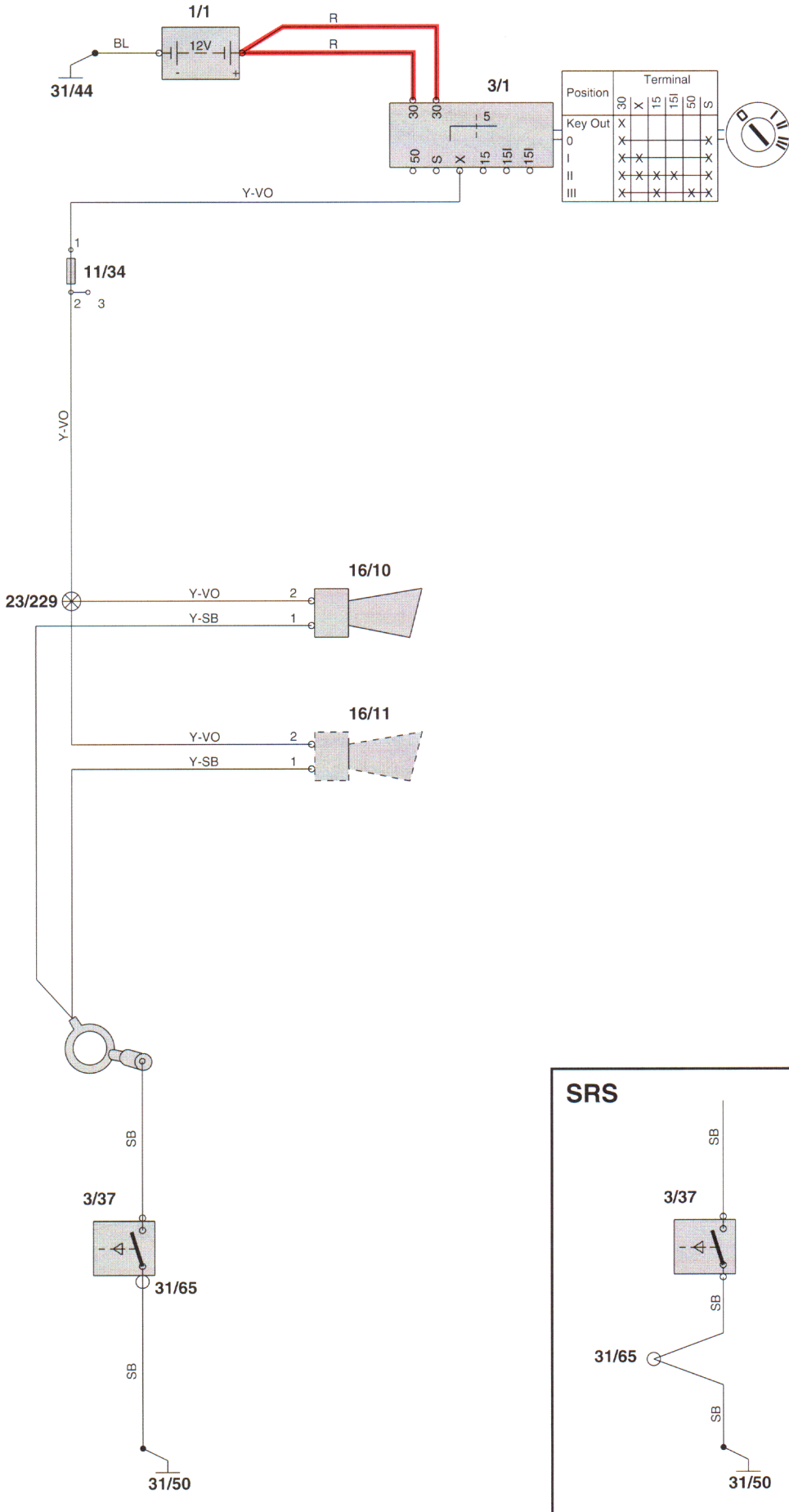


Windshield and headlight wash/wipe

For function diagram, see pages 213 och 214.

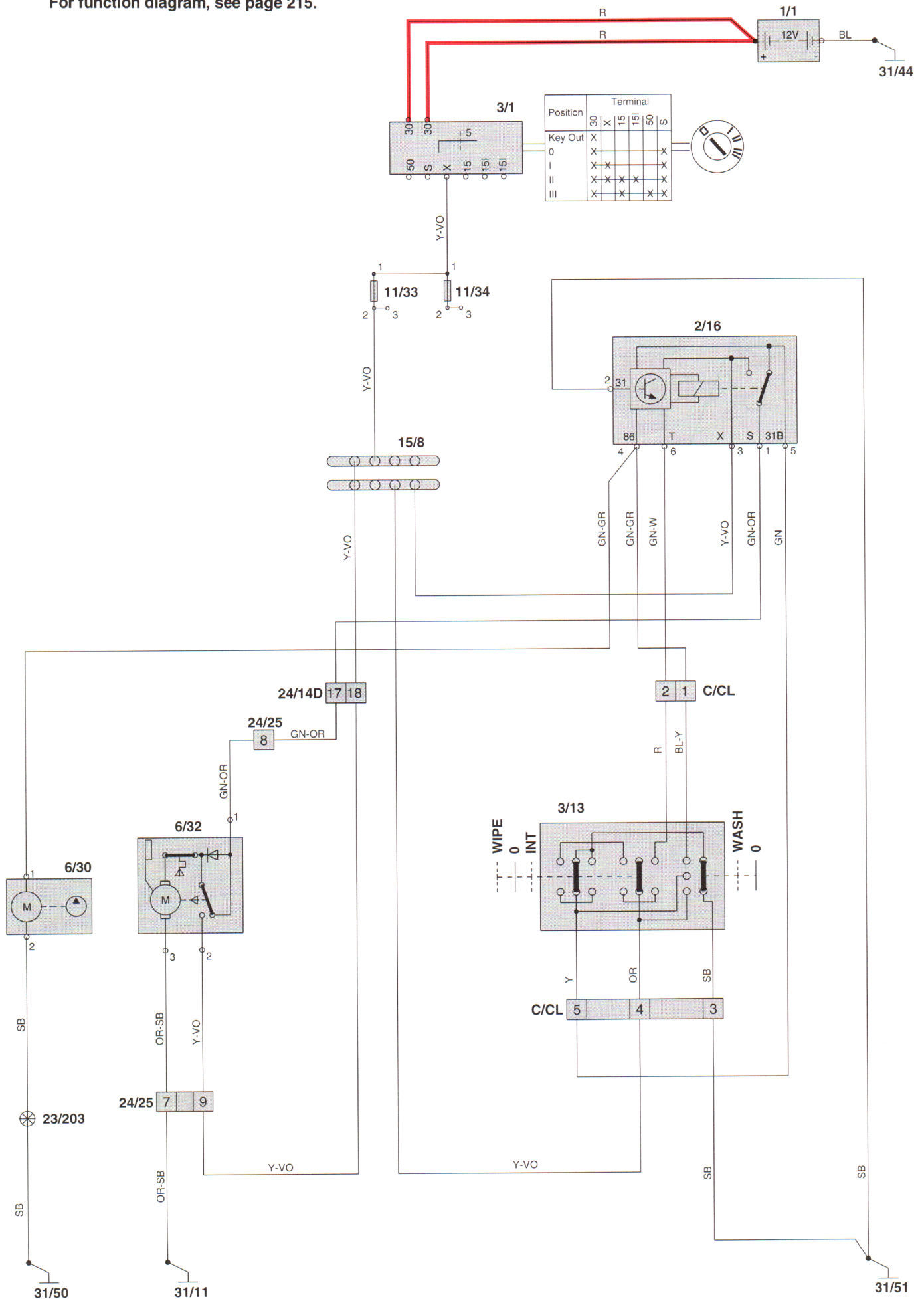


Horn

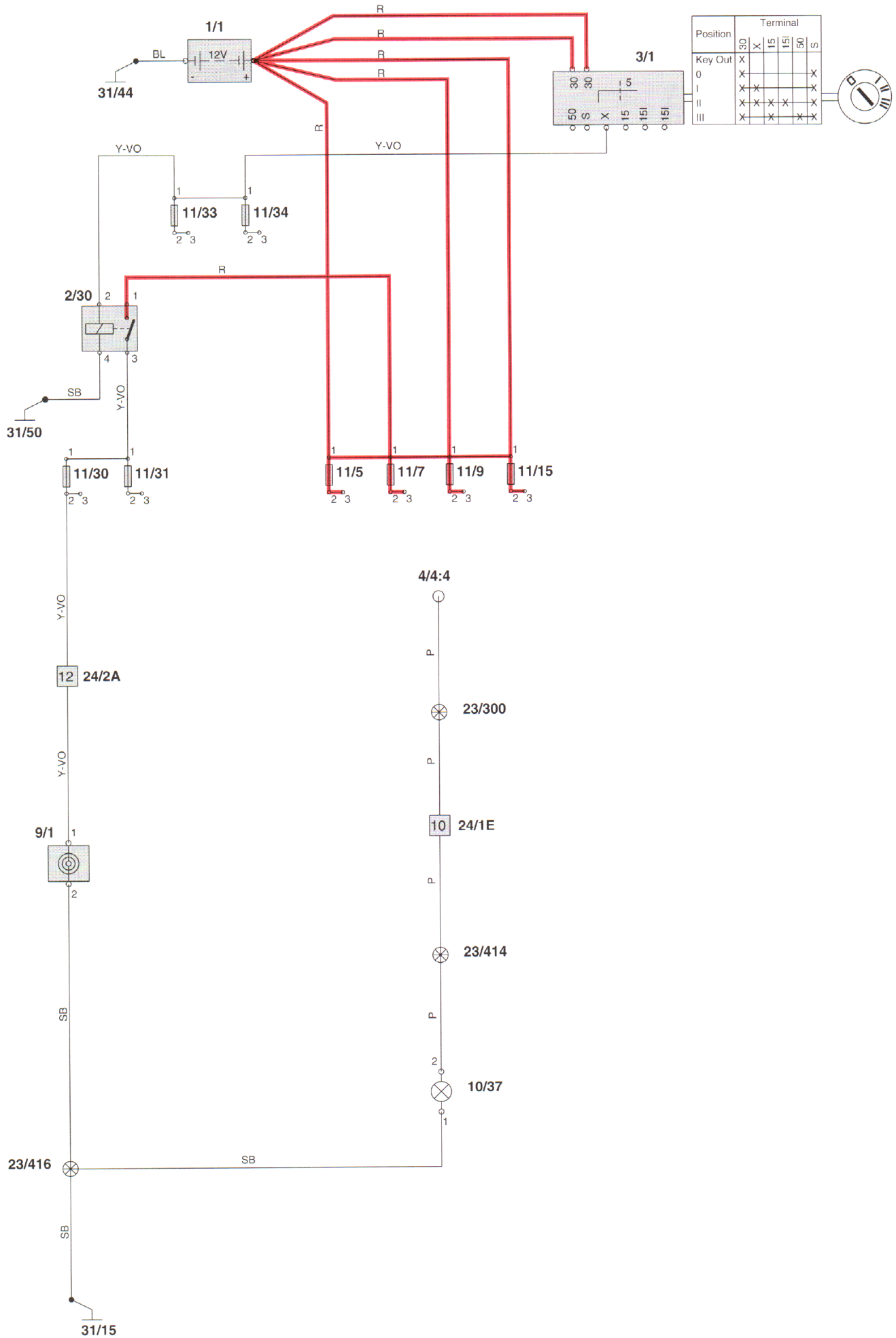


Tailgate wash/wipe

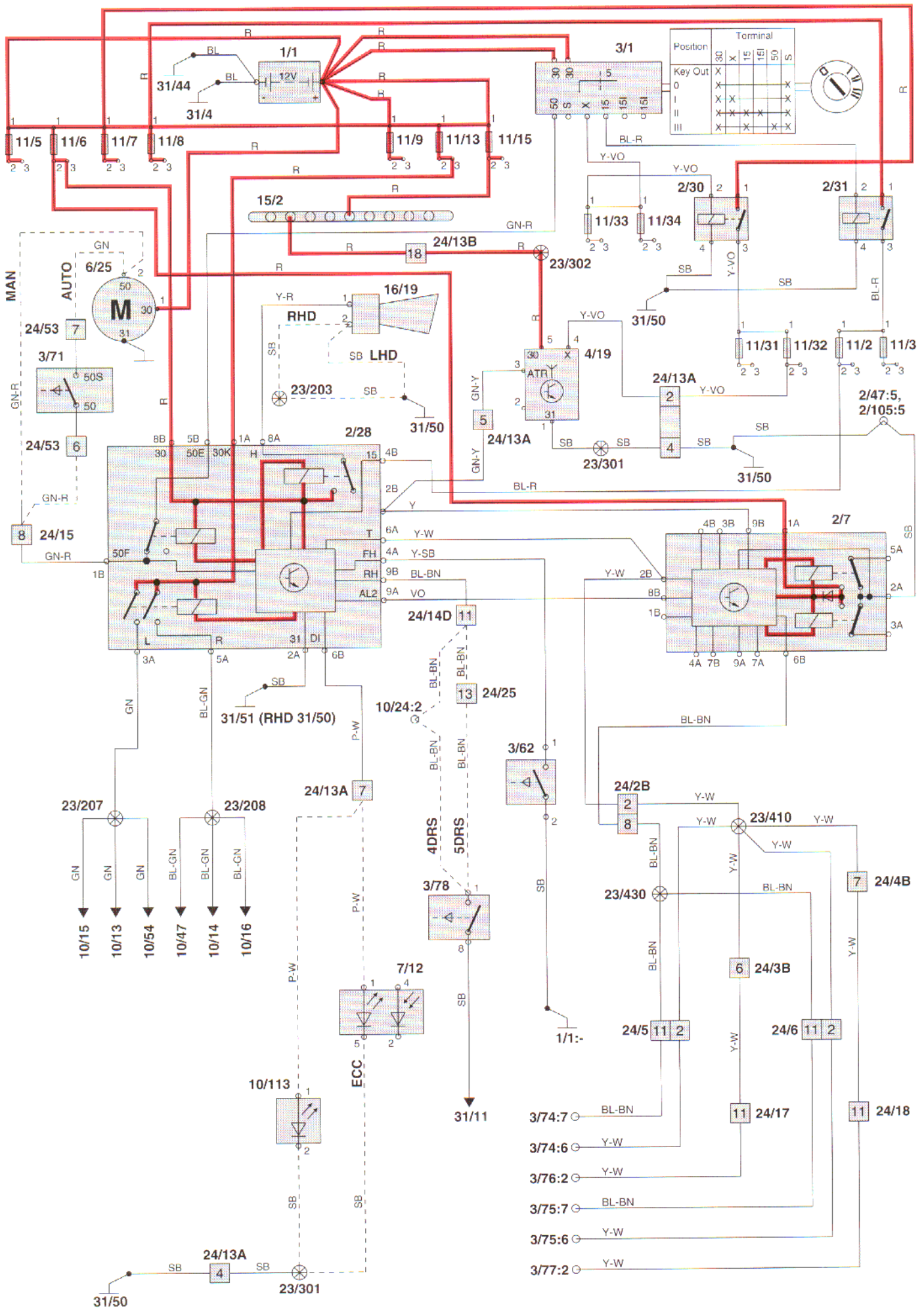
For function diagram, see page 215.



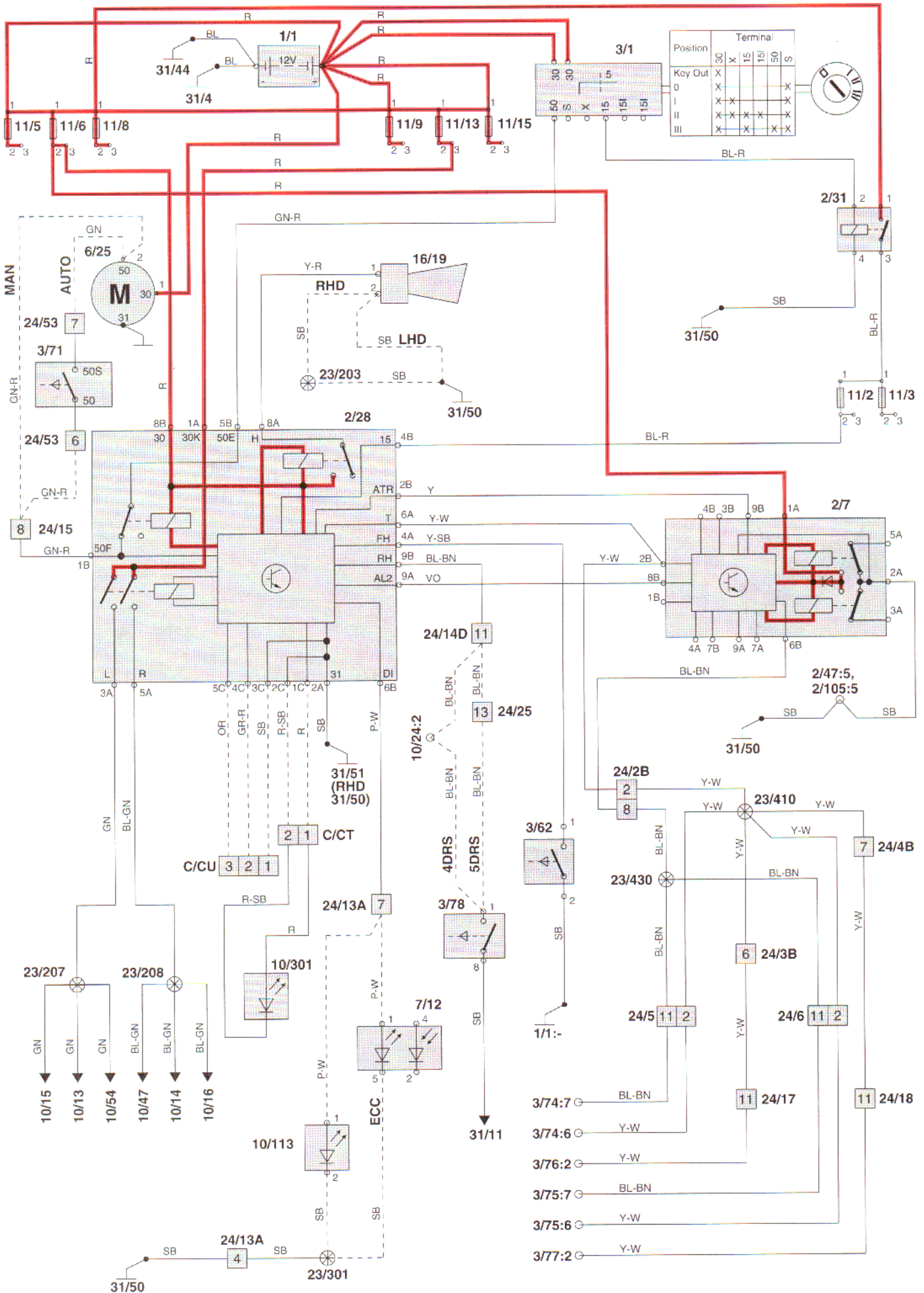
Cigar lighter



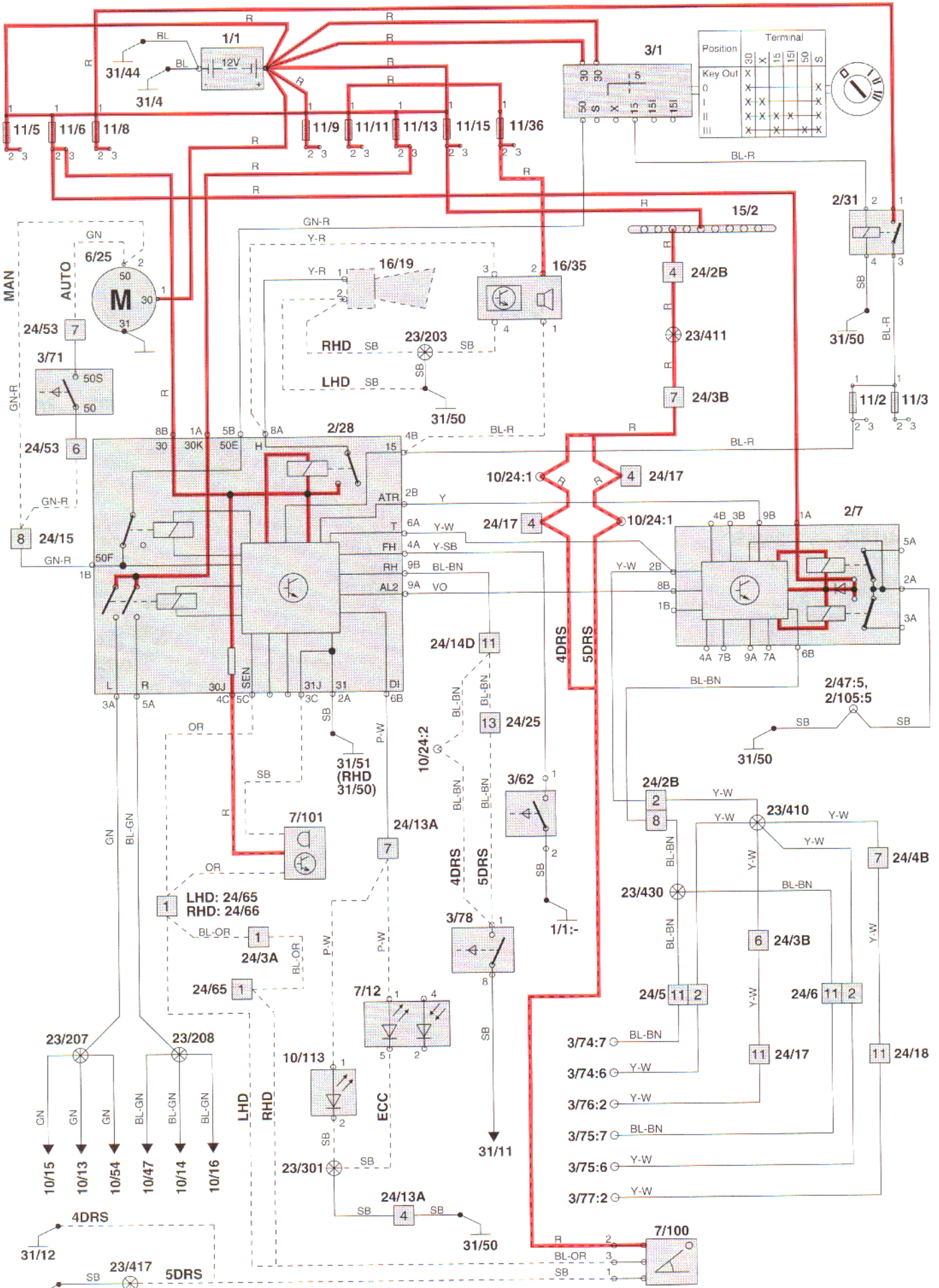
Basic alarm



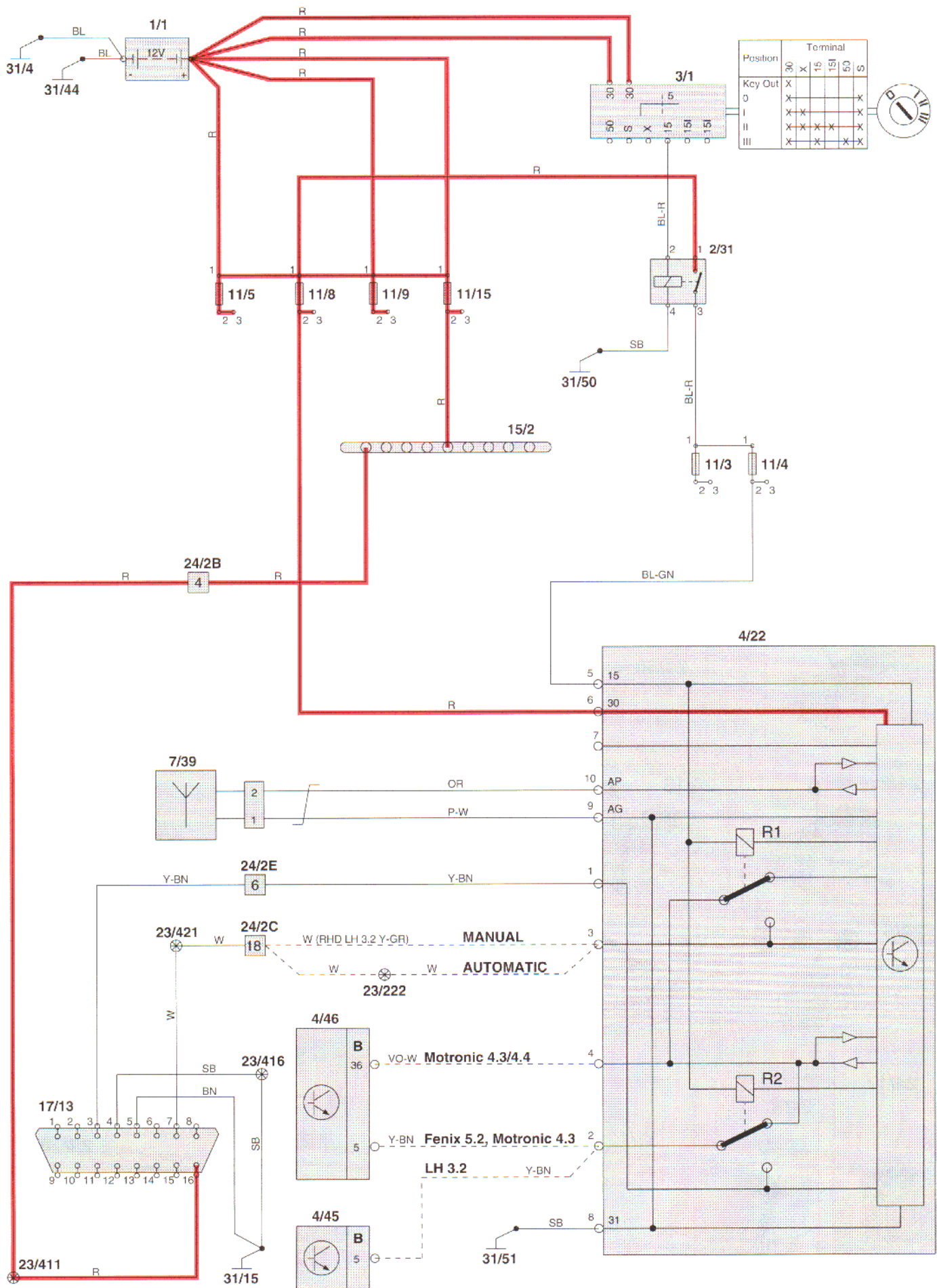
Guard Alarm II, early type



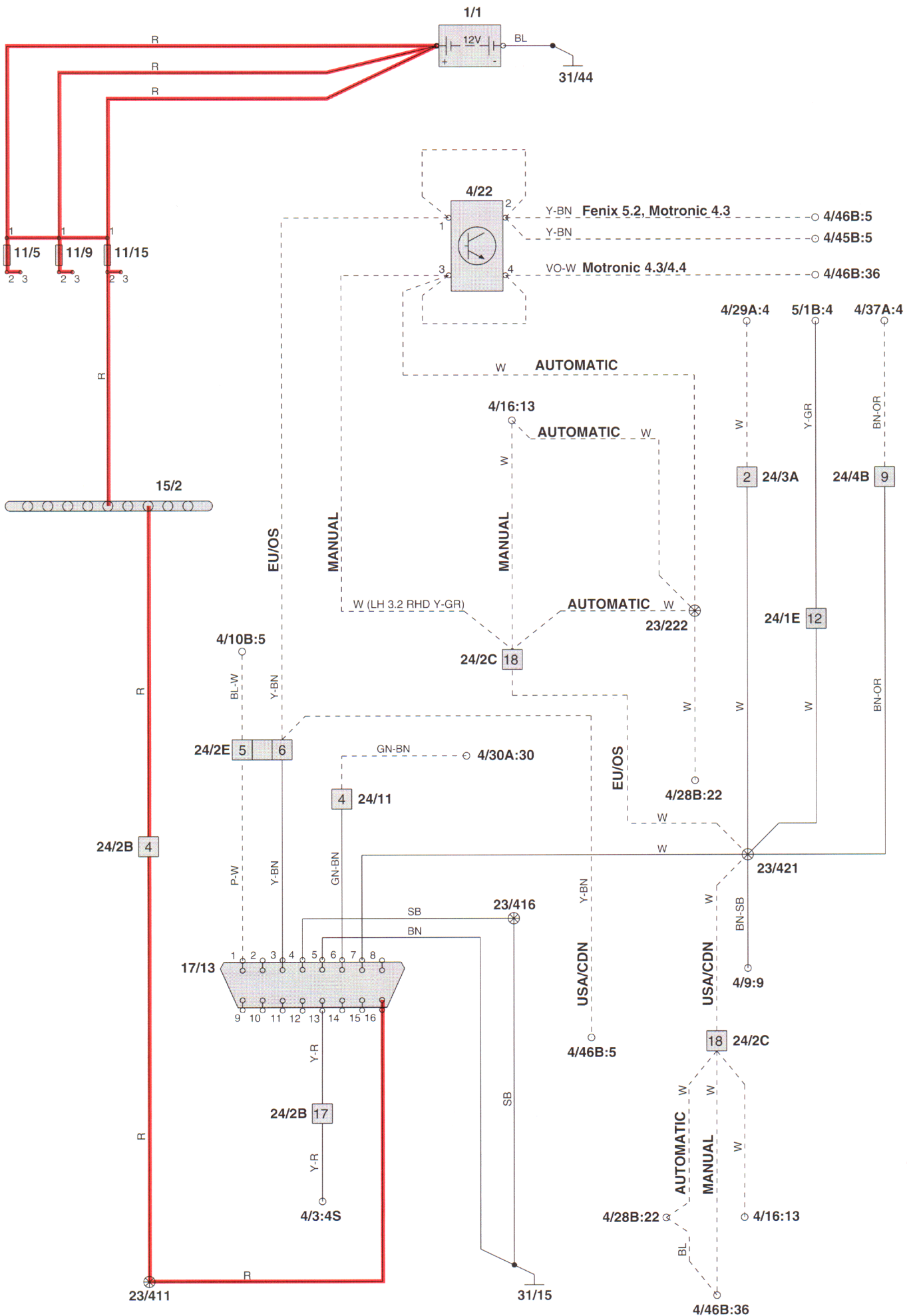
Guard Alarm II, late type



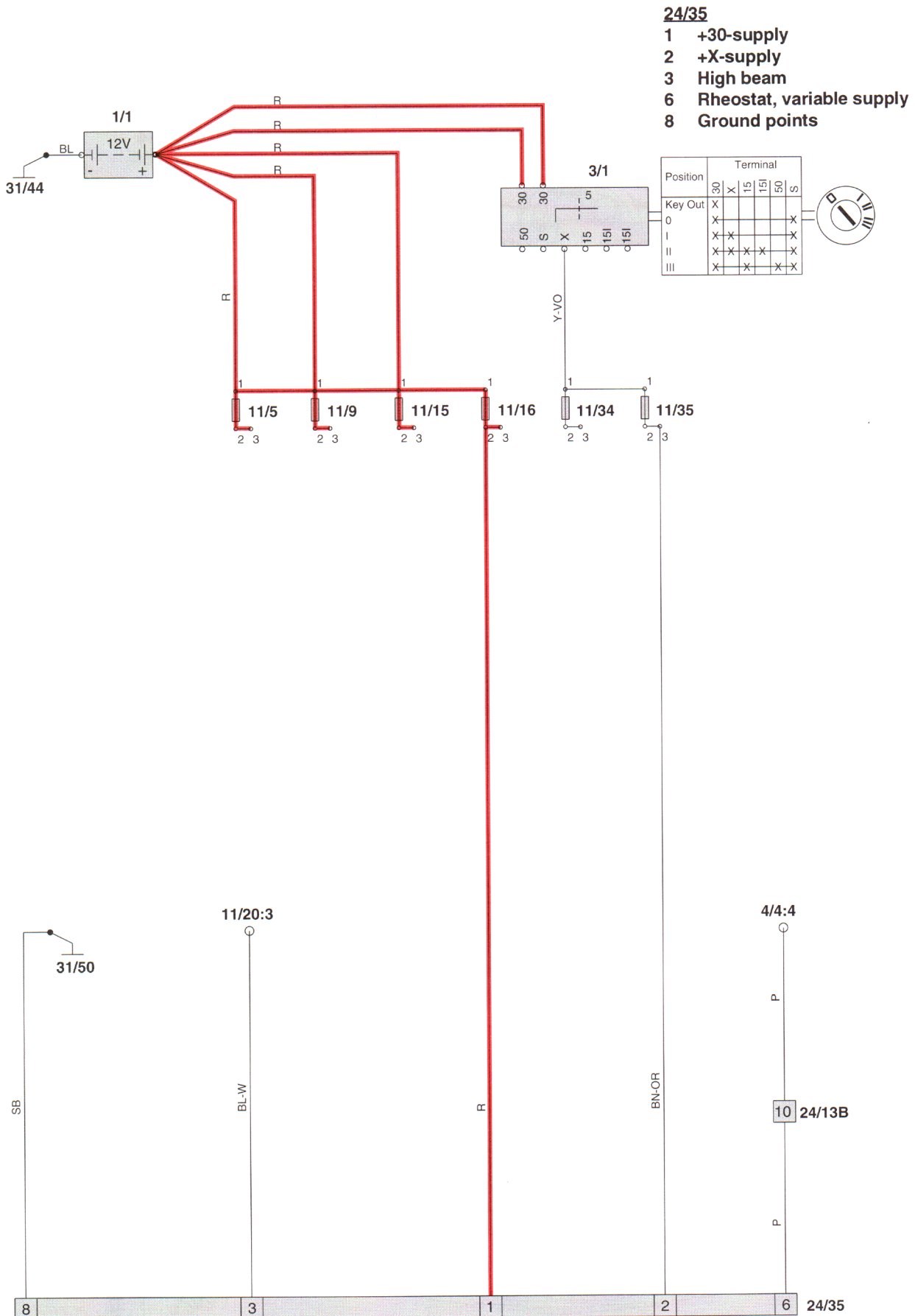
Electronic start inhibitor (Immobilizer)



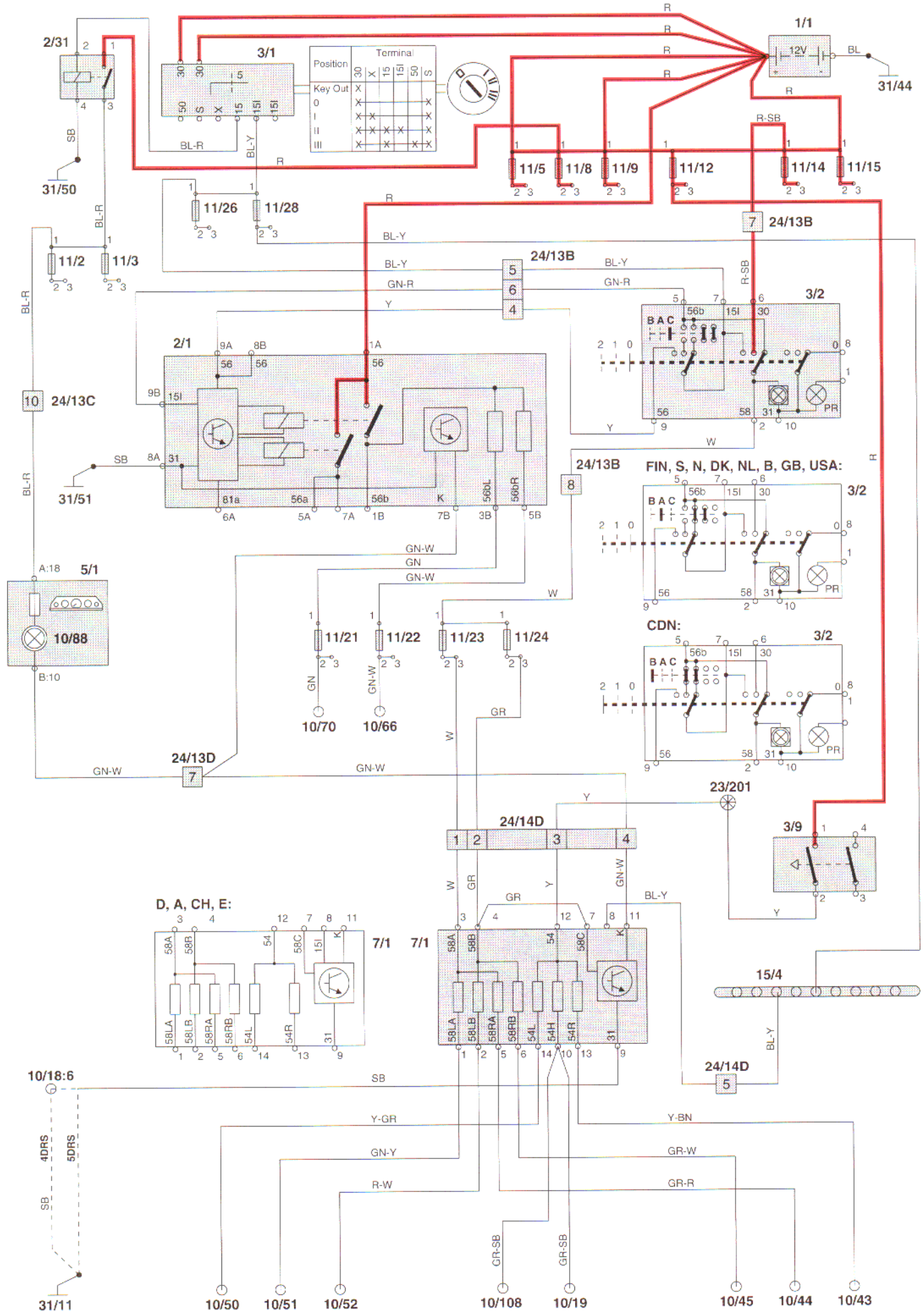
On-board diagnostic system (OBD system)



Wiring for accessories

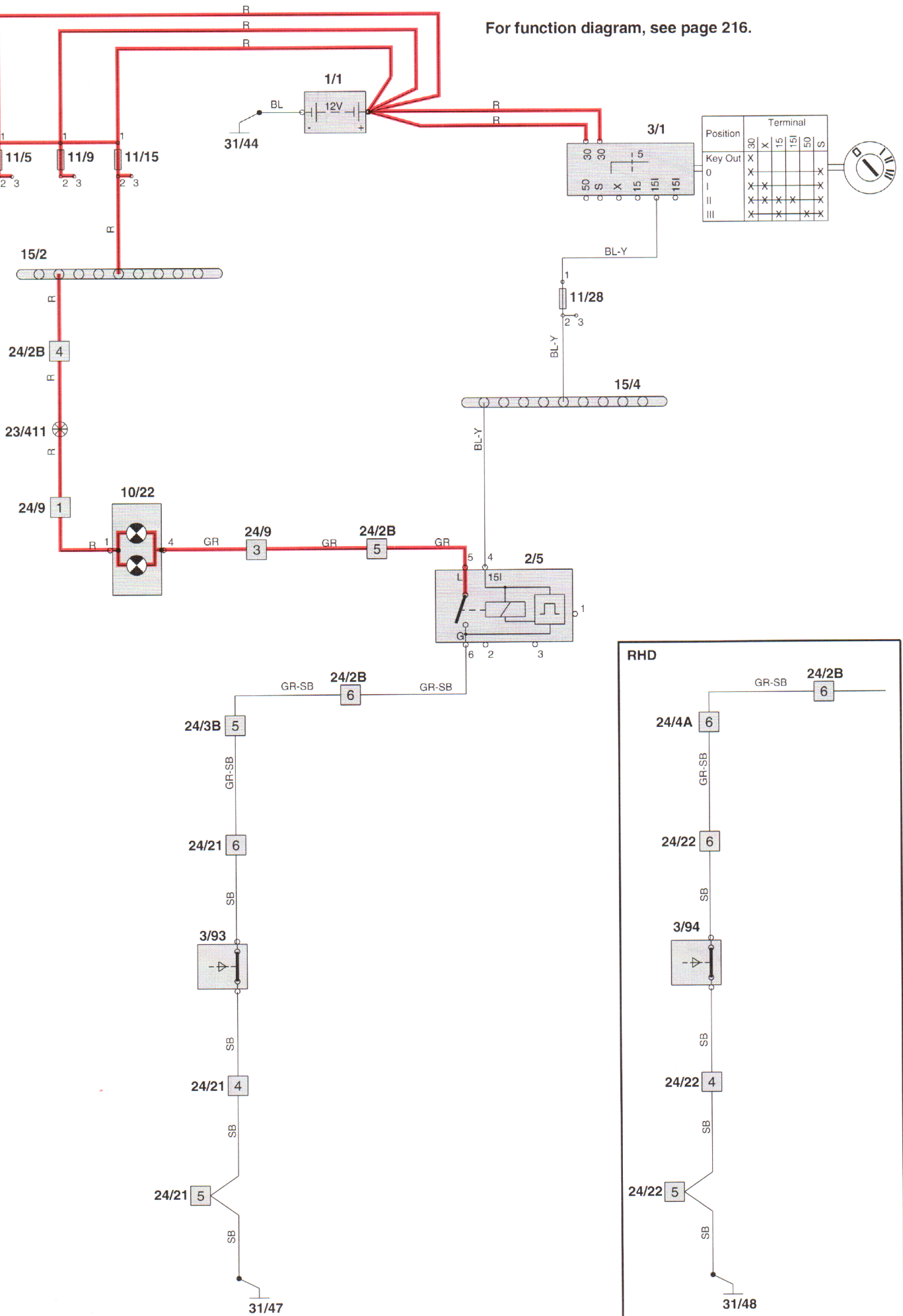


Bulb failure warning sensor



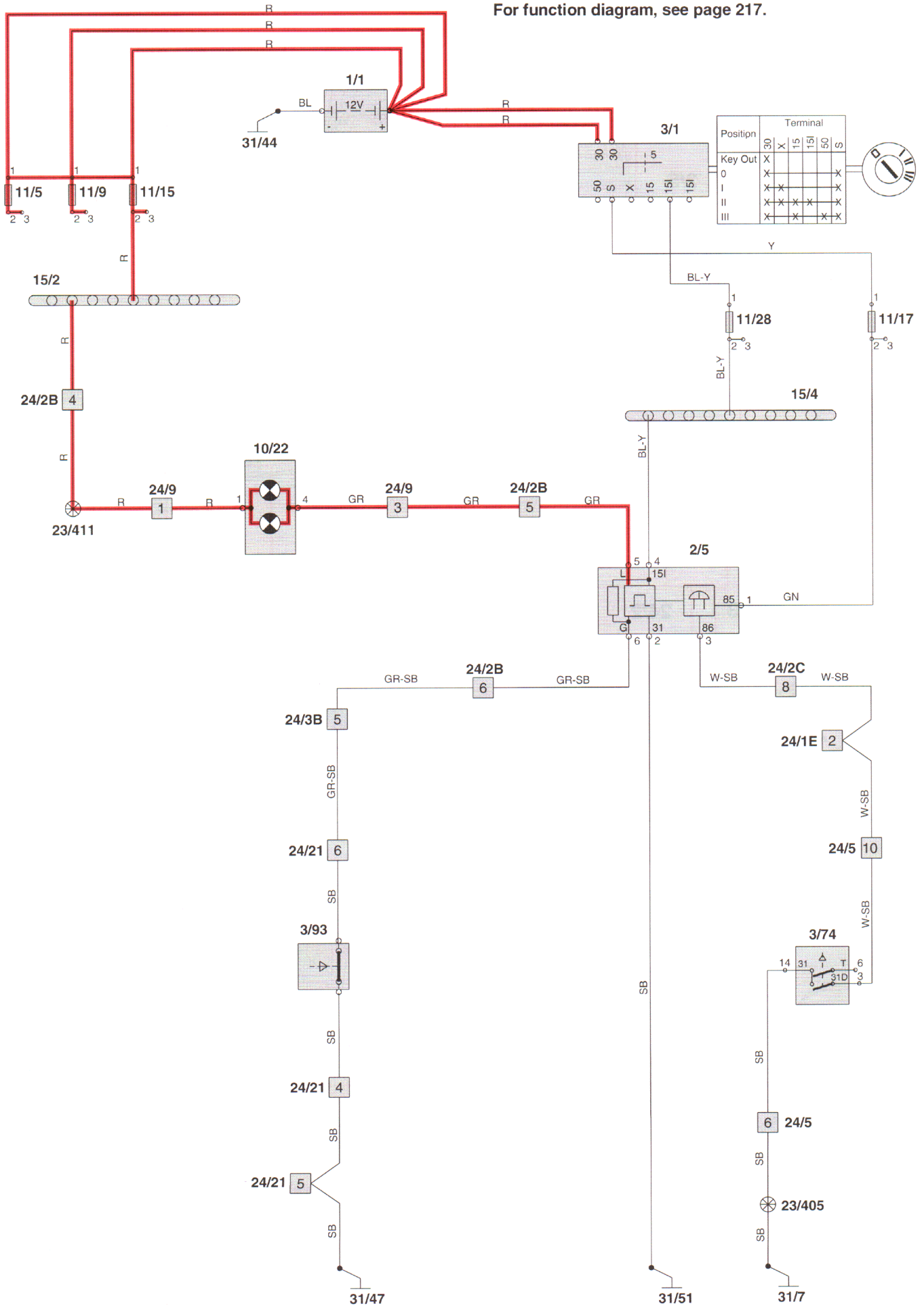
Seat belt reminder

For function diagram, see page 216.

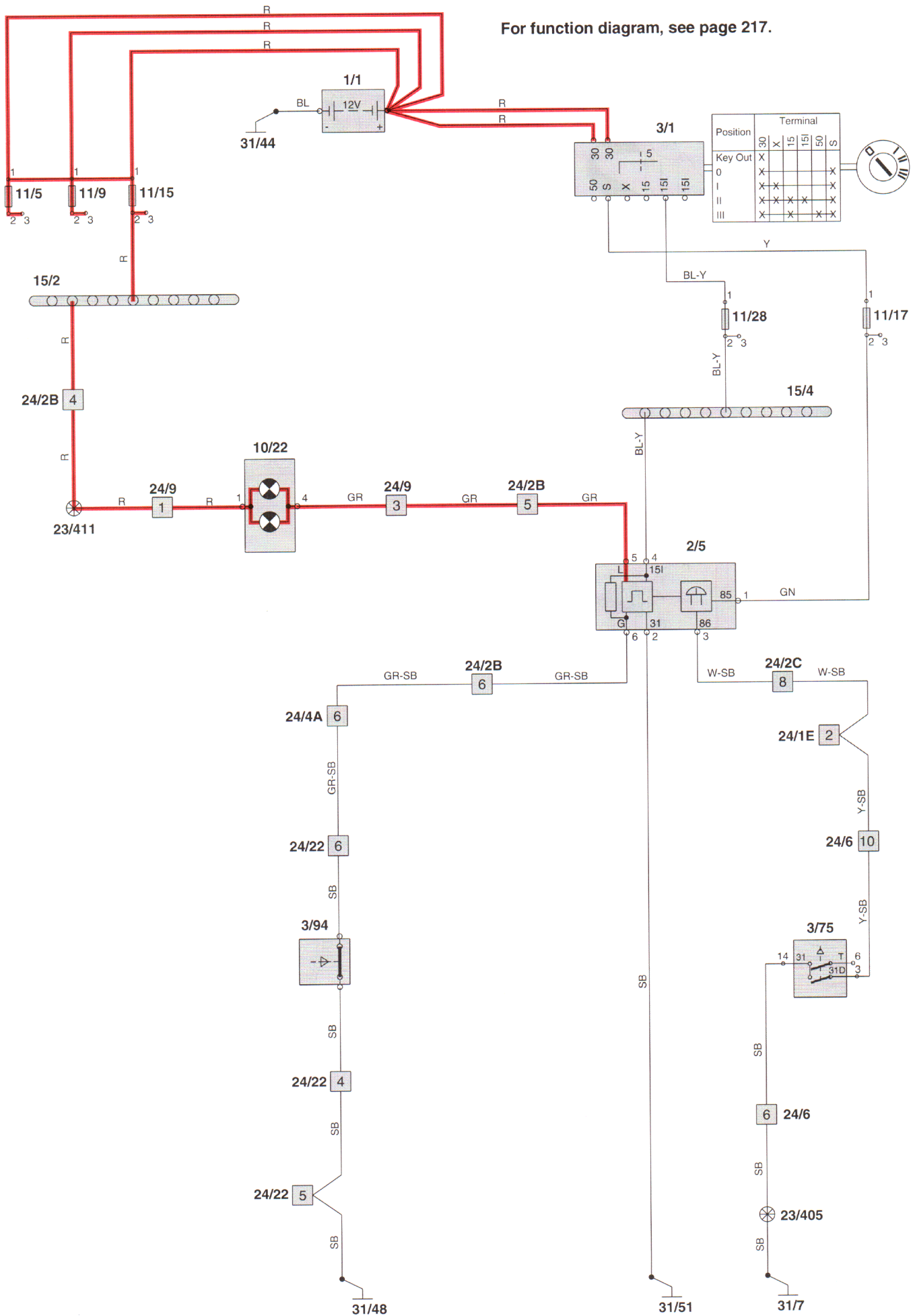


Seat belt and key reminder, USA, Canada, Korea

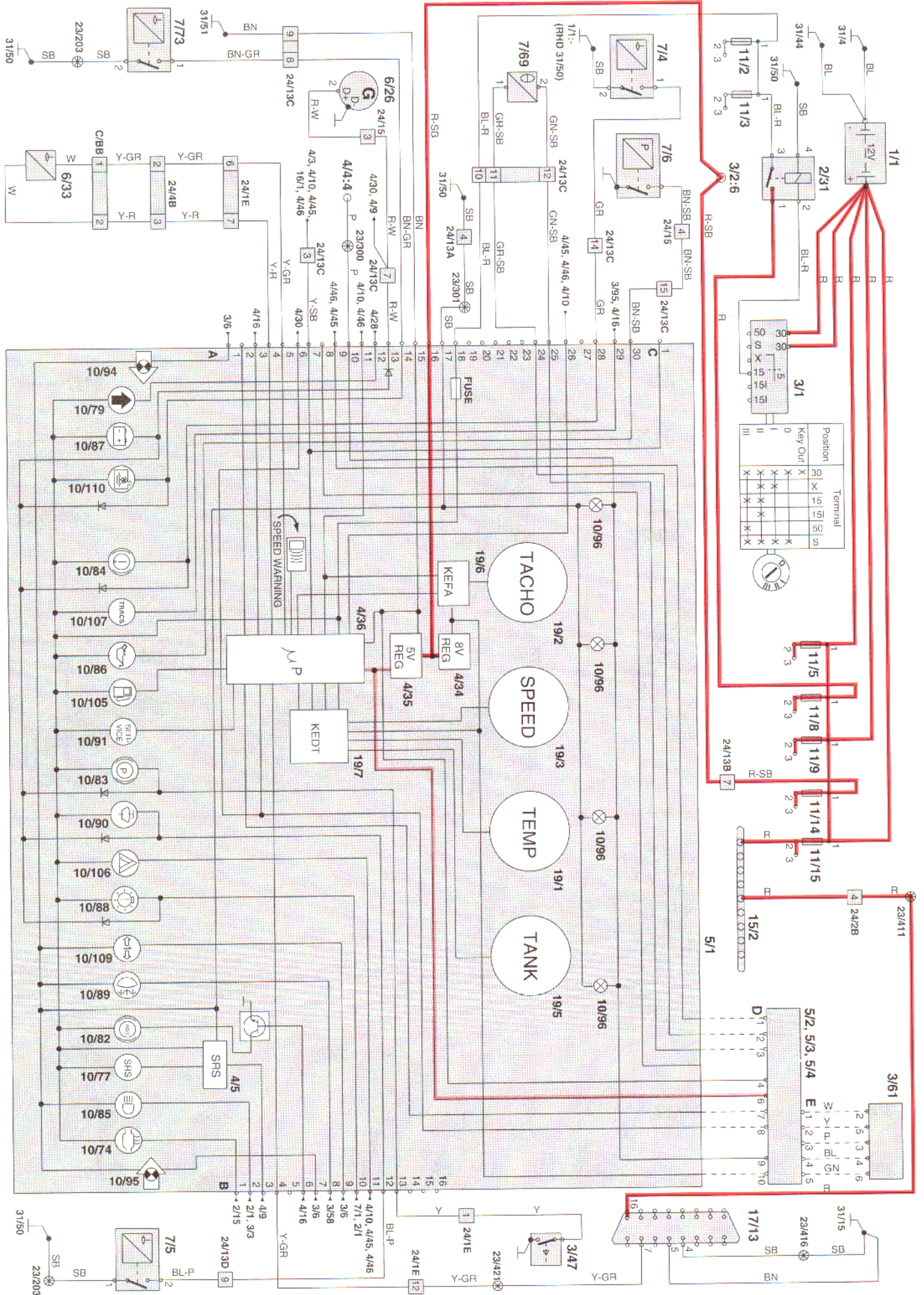
For function diagram, see page 217.



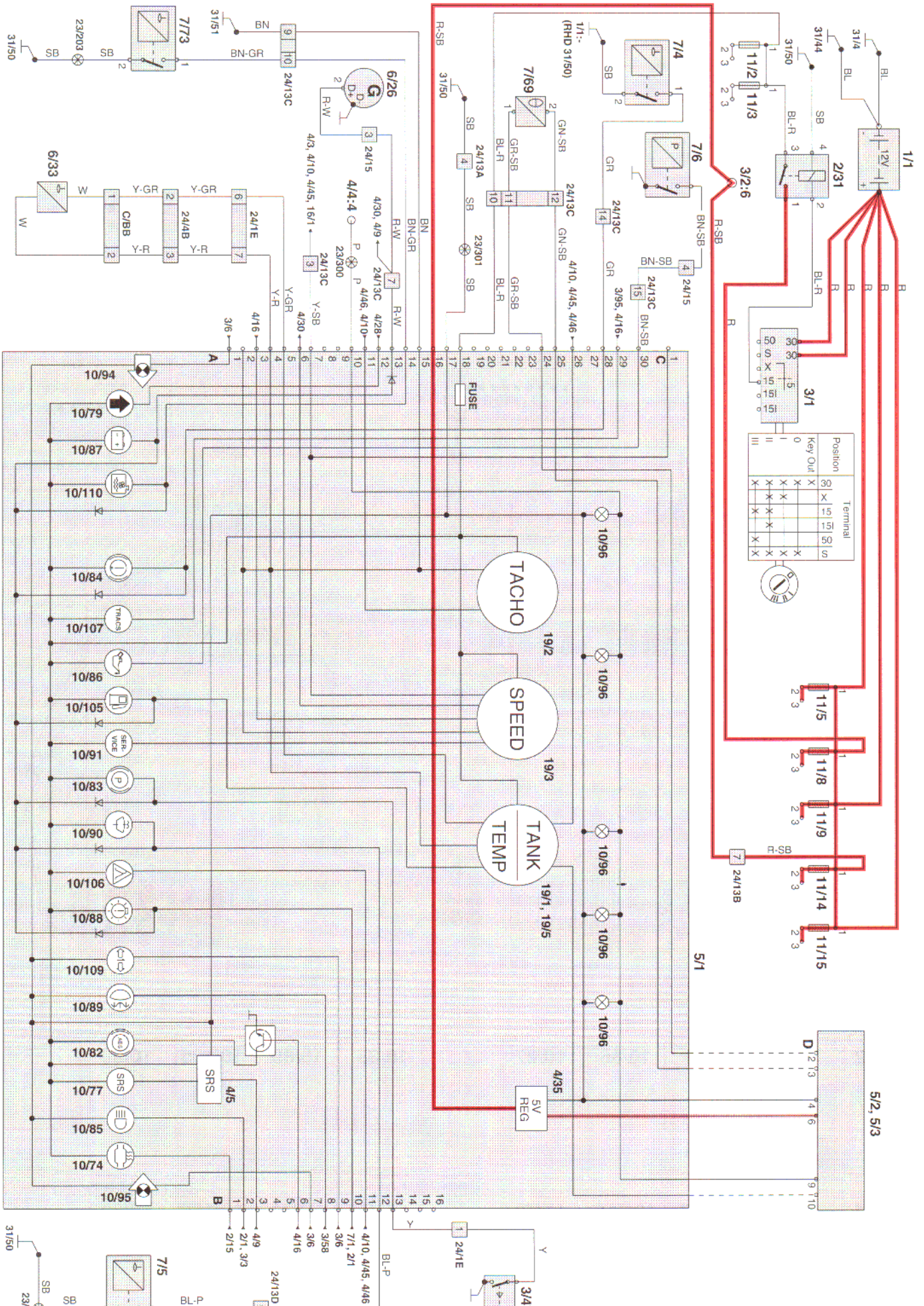
Seat belt and key reminder, Australia



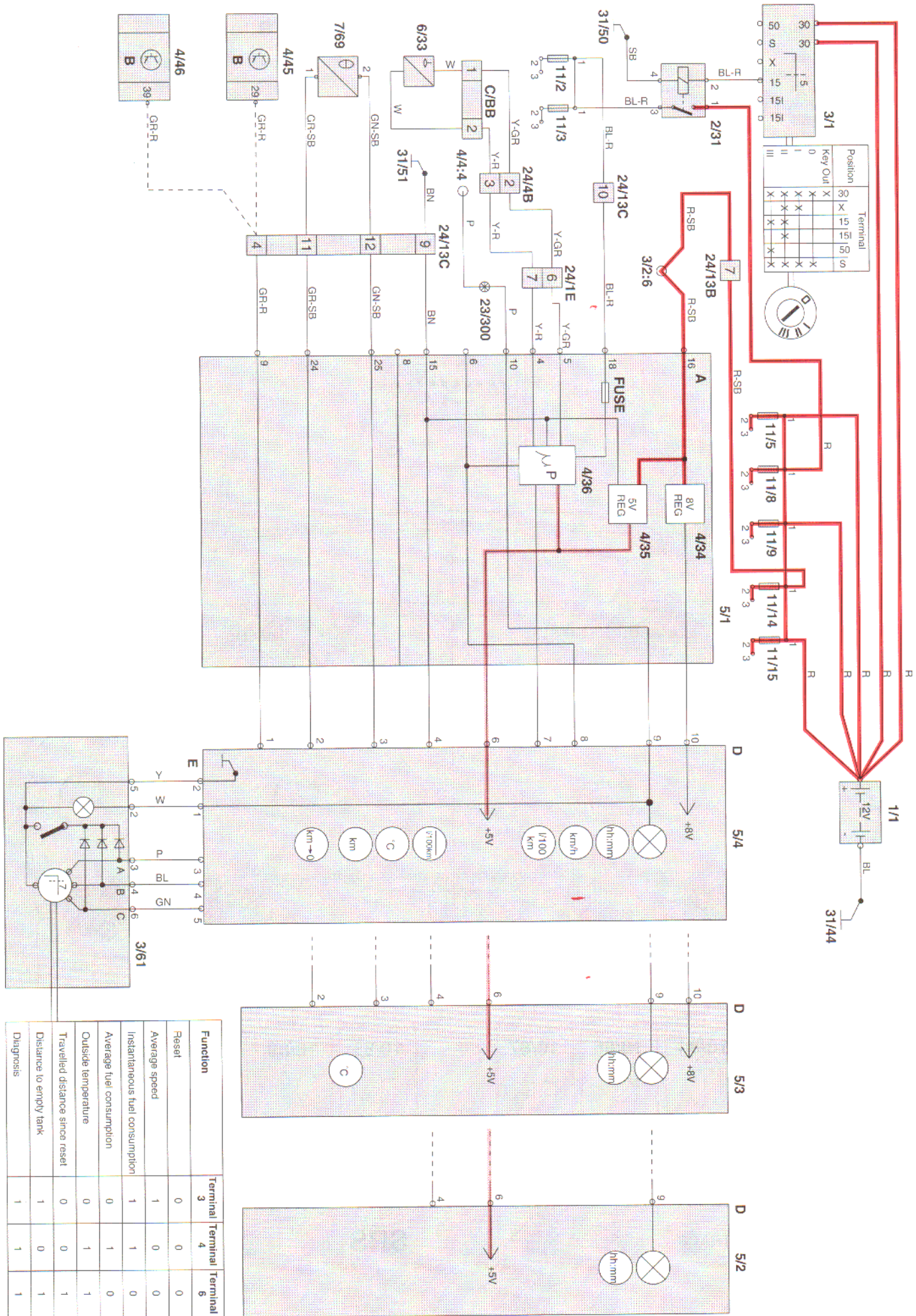
Combined instrument panel, VDO



Combined instrument panel, Yasaki

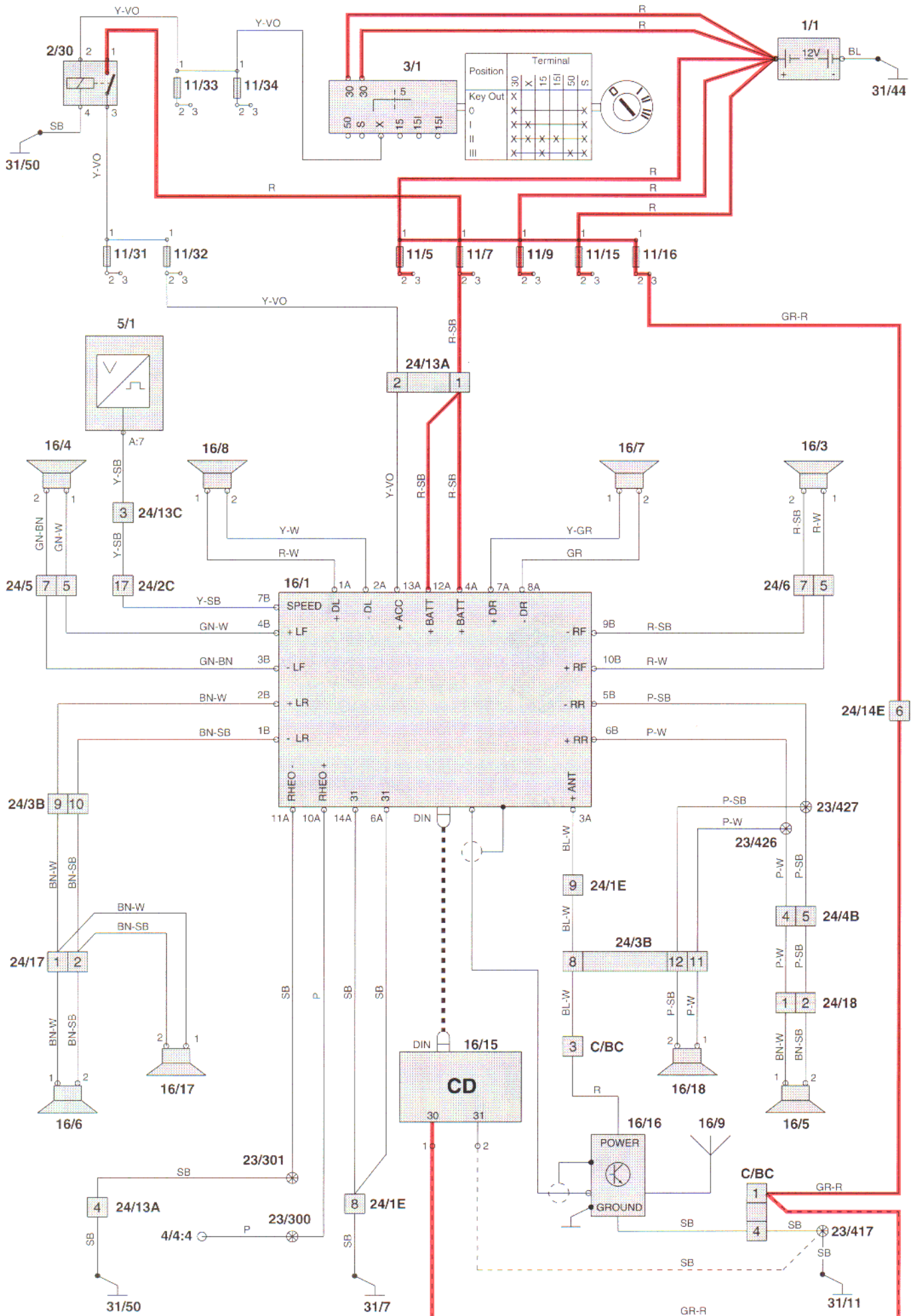


Clock module/outside temp. and clock module/trip computer (Combined instrument panel, VDO)

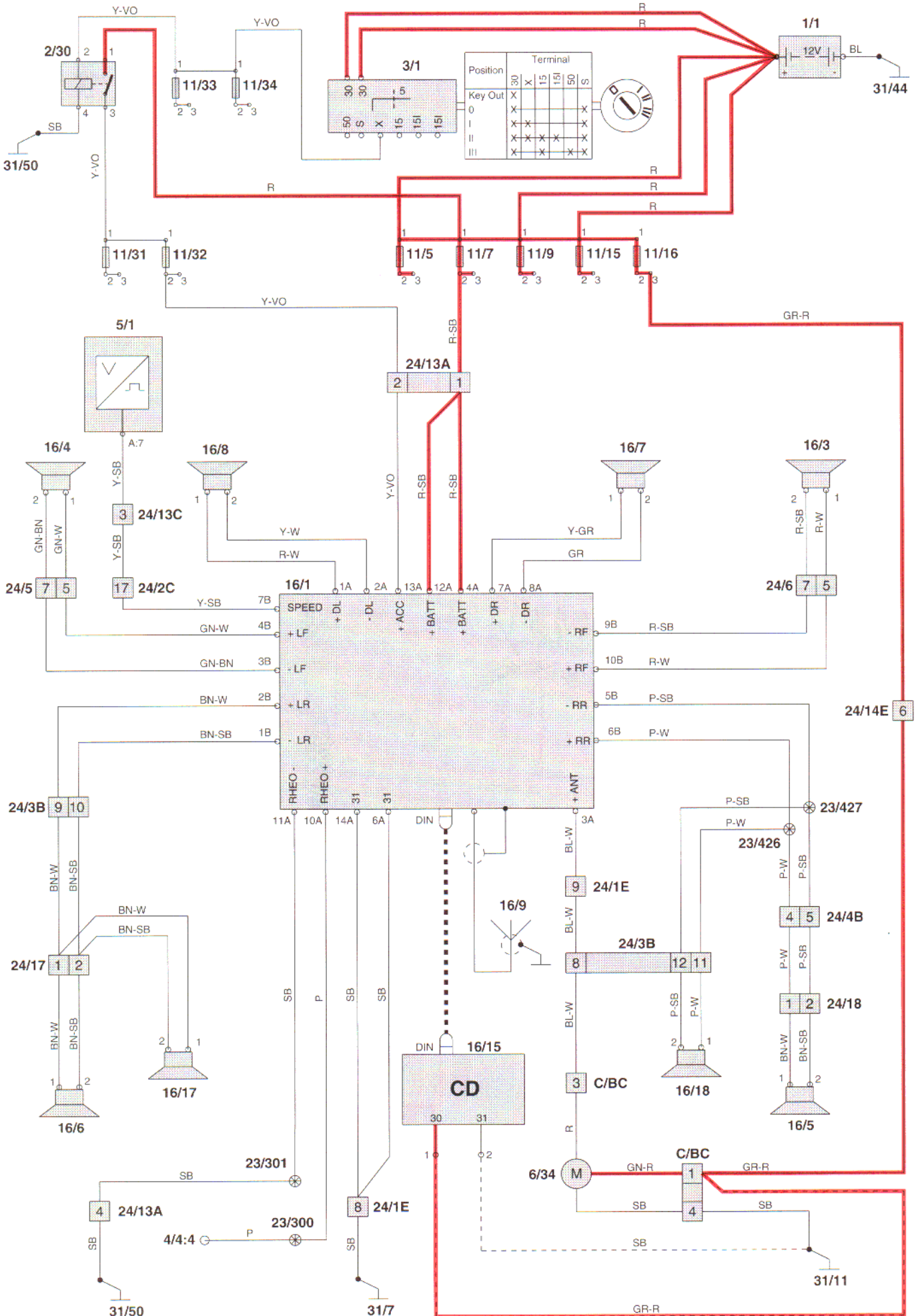


Function	Terminal 3	Terminal 4	Terminal 6
Reset	0	0	0
Average speed	1	0	0
Instantaneous fuel consumption	1	1	0
Average fuel consumption	0	1	0
Outside temperature	0	1	1
Travelled distance since reset	0	0	1
Distance to empty tank	1	0	1
Diagnosis	1	1	1

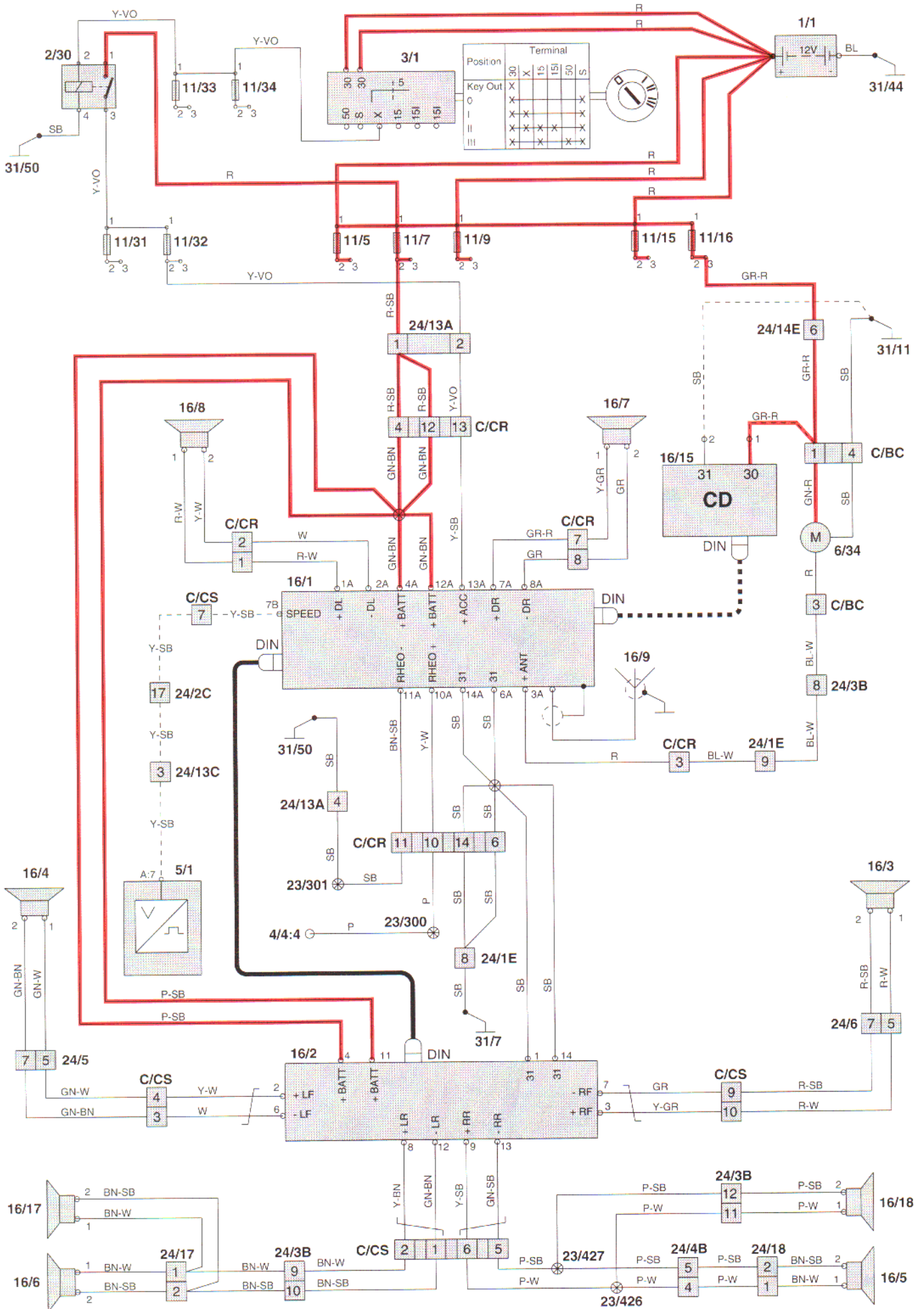
Radio, 5-door



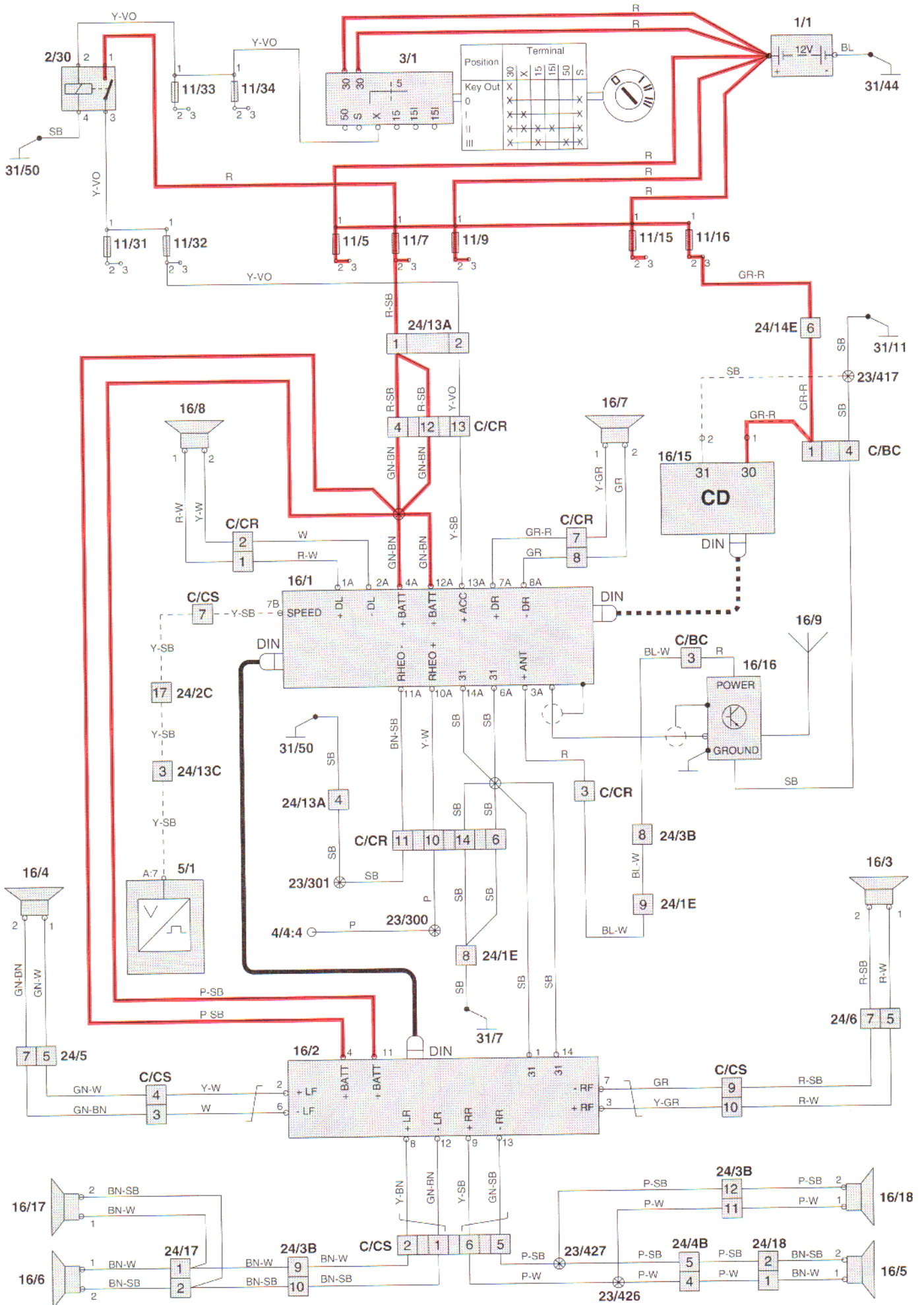
Radio, 4-door



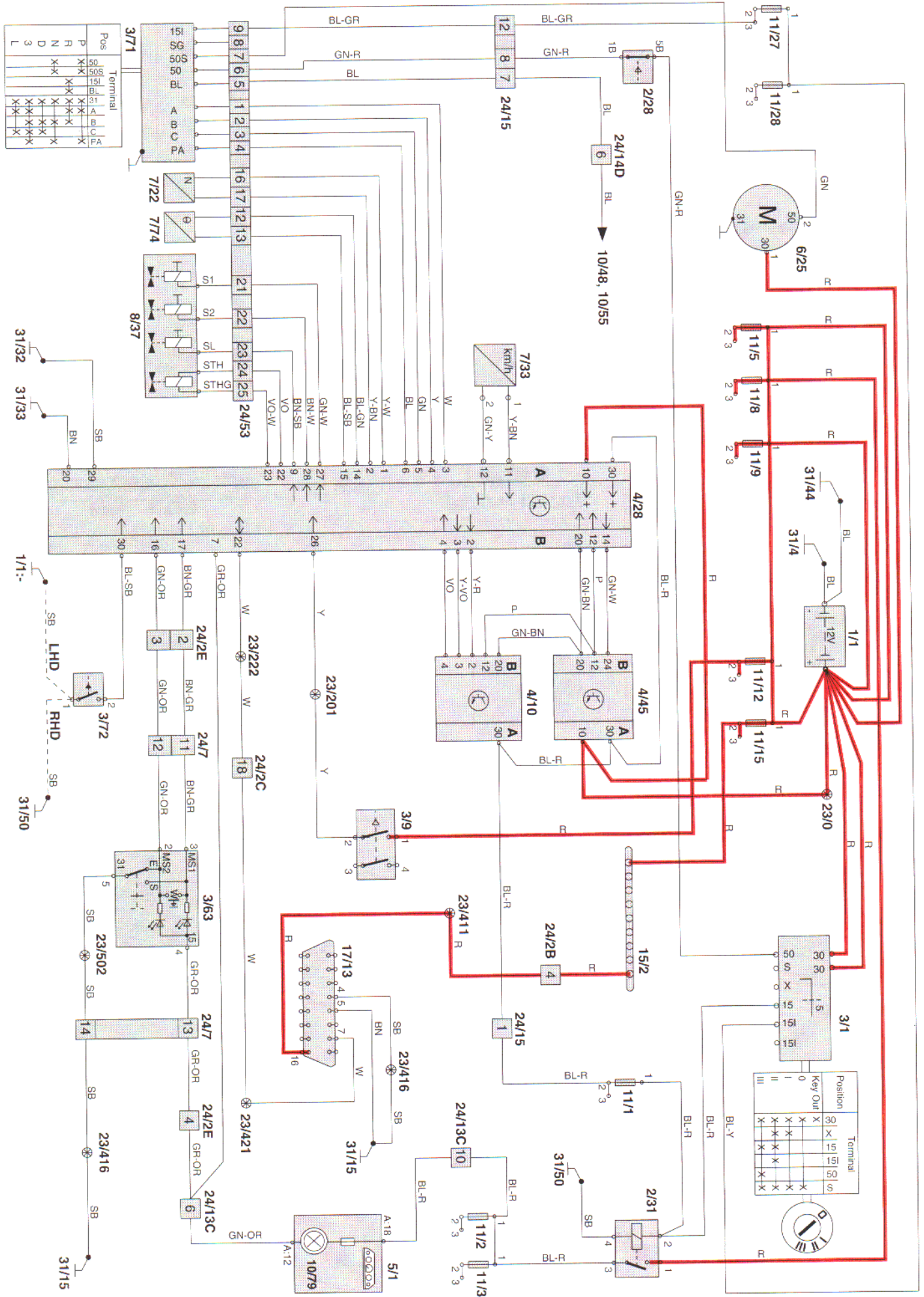
Radio with extra amplifier, 4-door



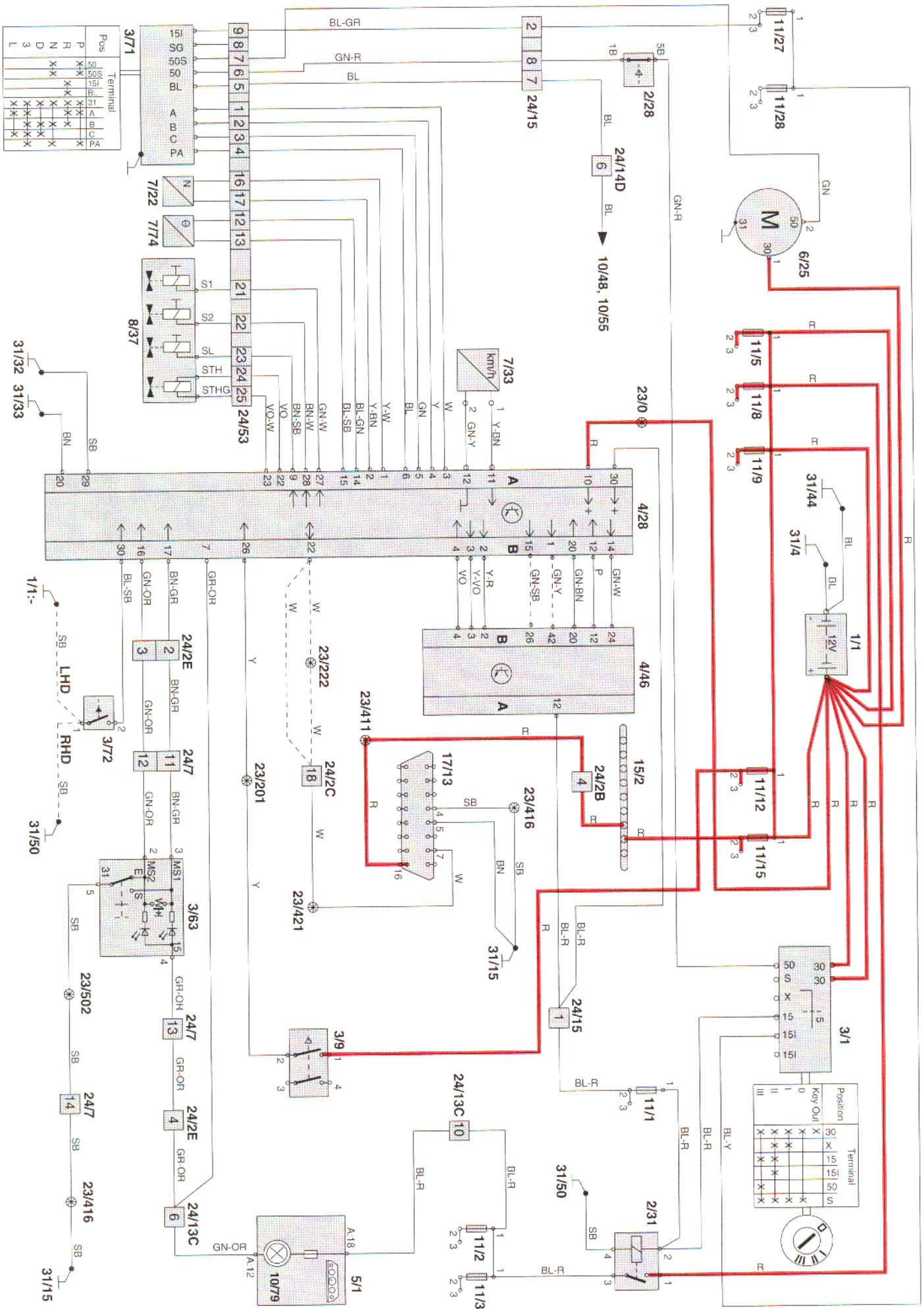
Radio with extra amplifier, 5-door



AW 50-42 electronically controlled automatic transmission (LH 3.2 & EZ 129 K)

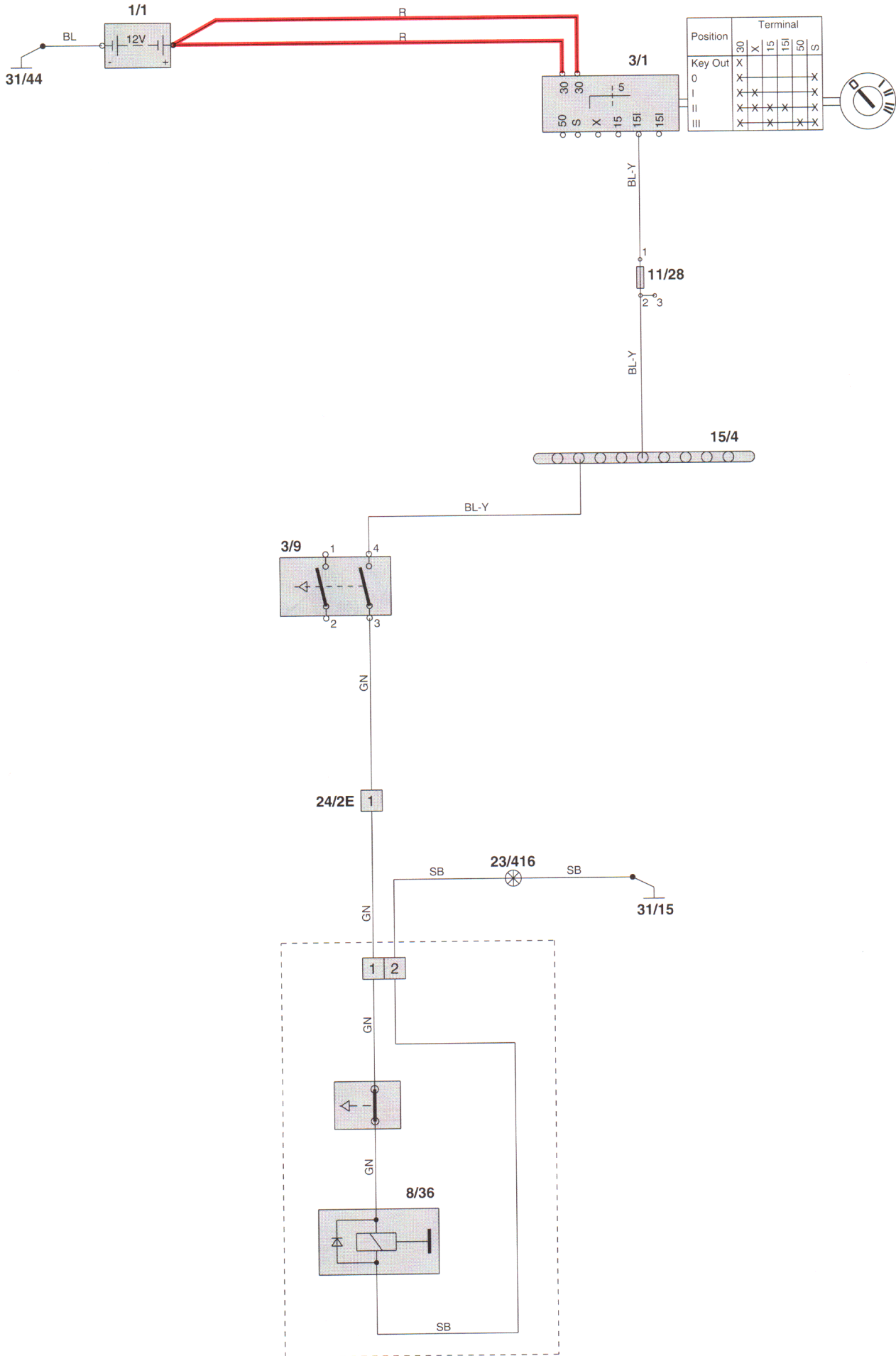


AW 50-42 electronically controlled automatic transmission (Fenix 5.2, Motronic 4.3/4.4)

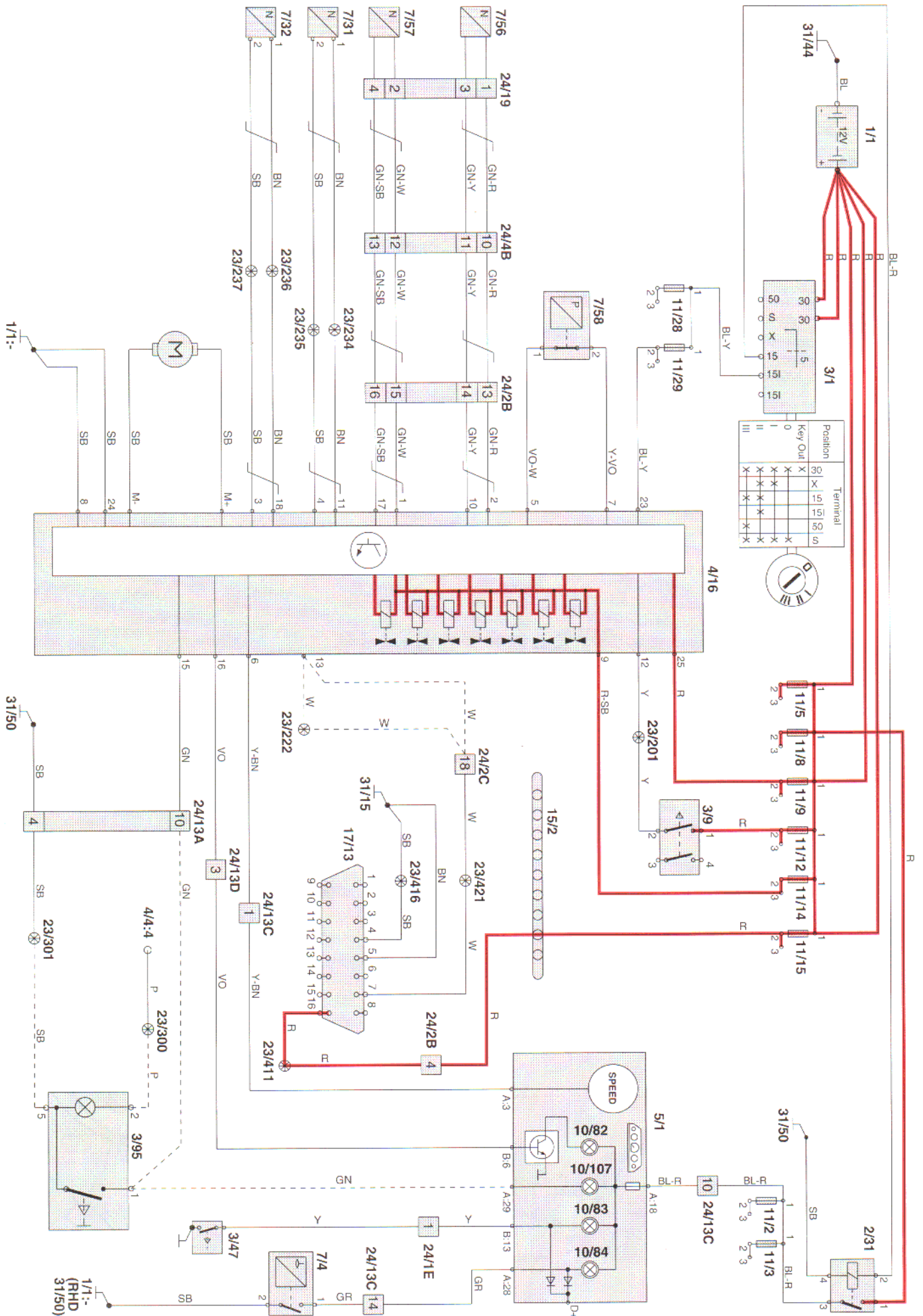


P-shift lock, automatic transmission

For function diagram, see page 218.

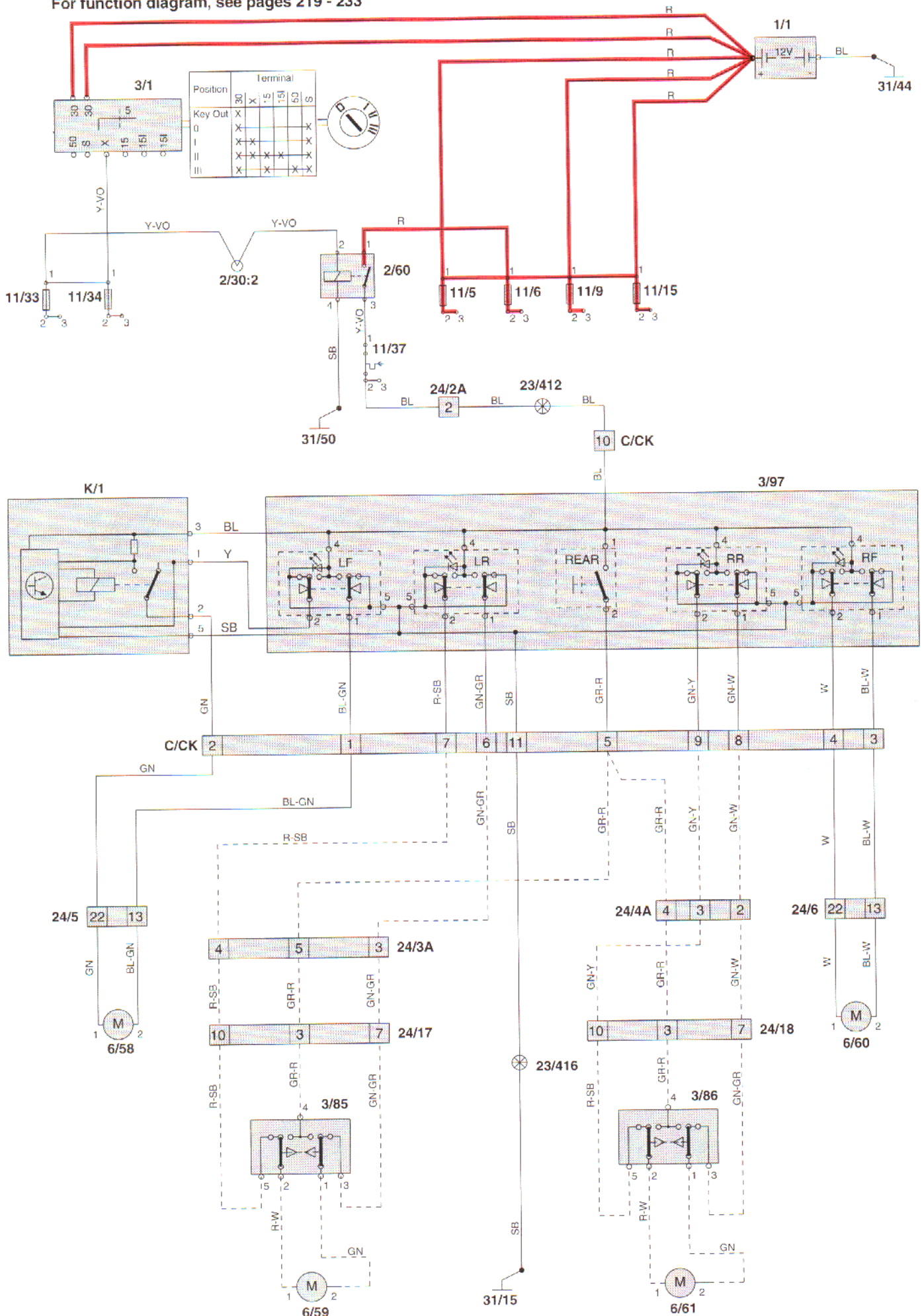


ABS Brake system and TRACS



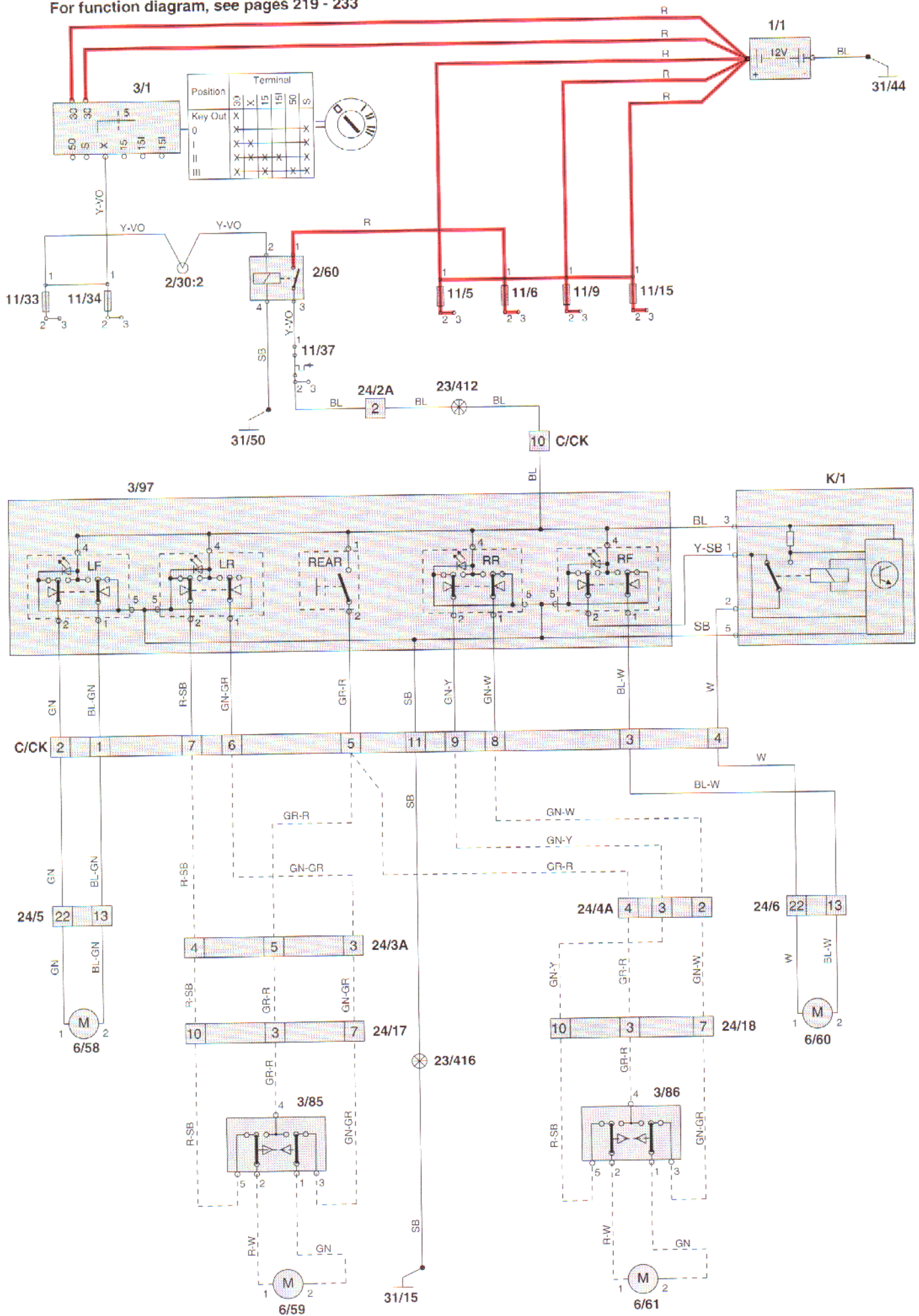
Power windows, Left-hand drive cars

For function diagram, see pages 219 - 233

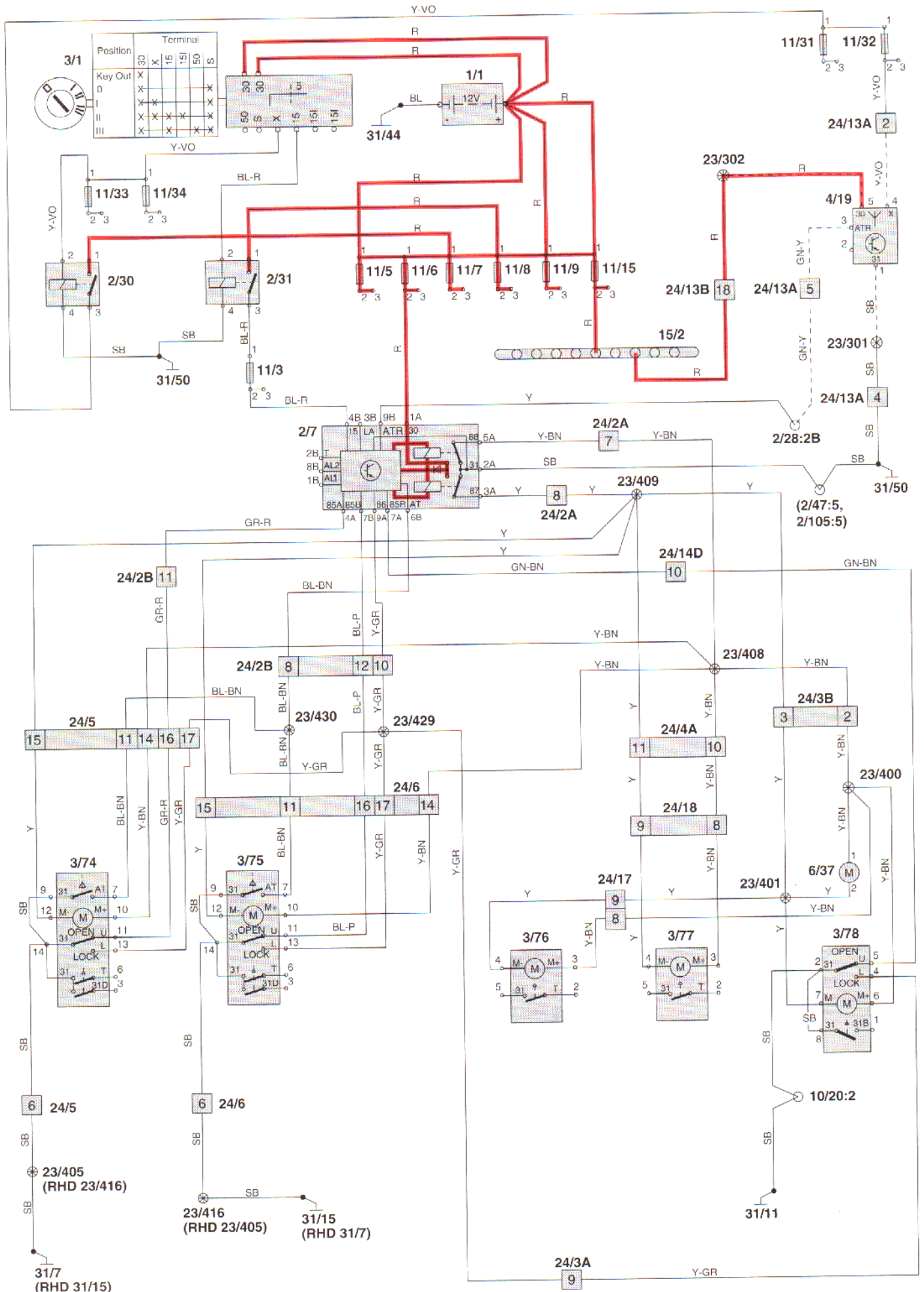


Power windows, Right-hand drive cars

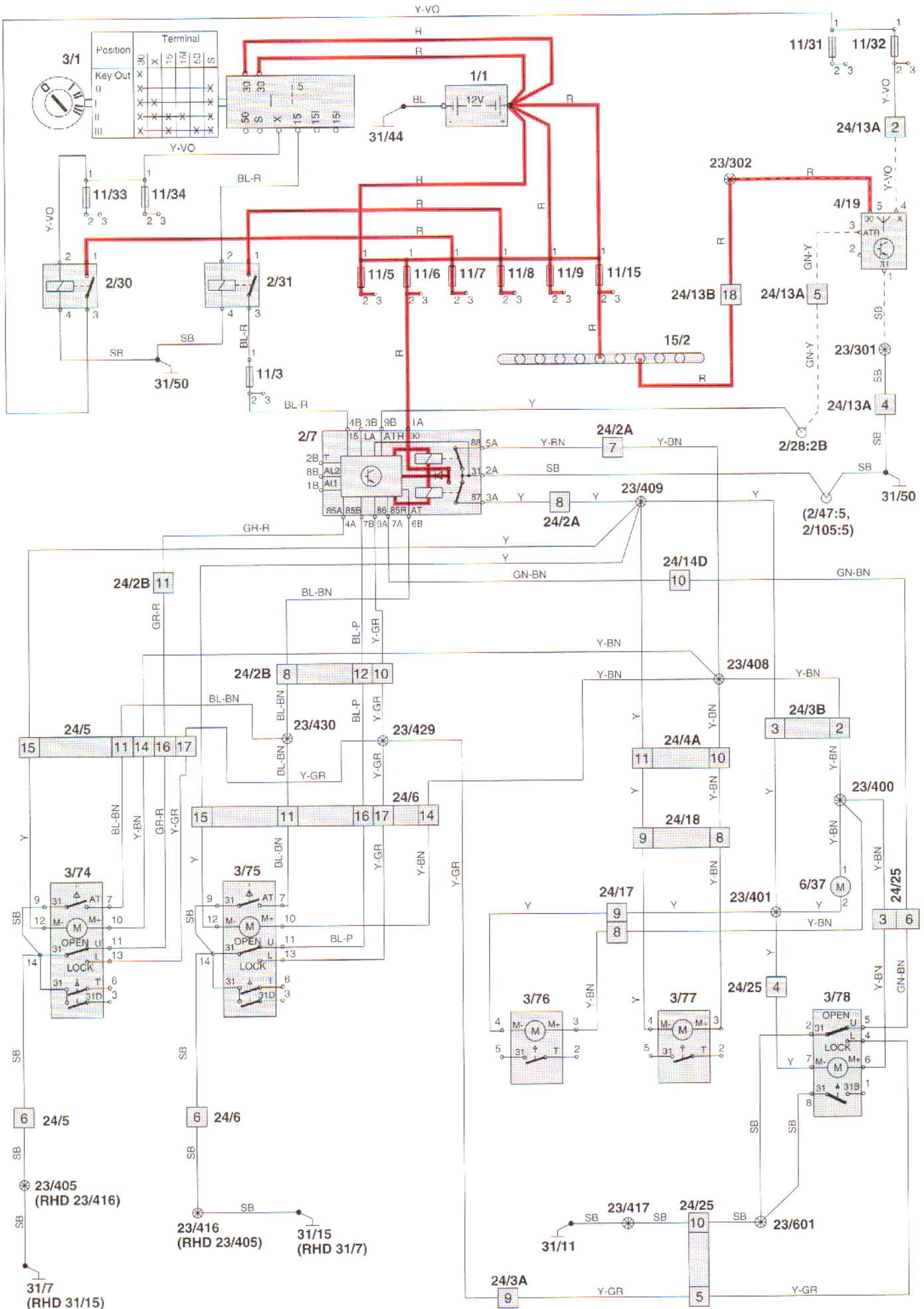
For function diagram, see pages 219 - 233



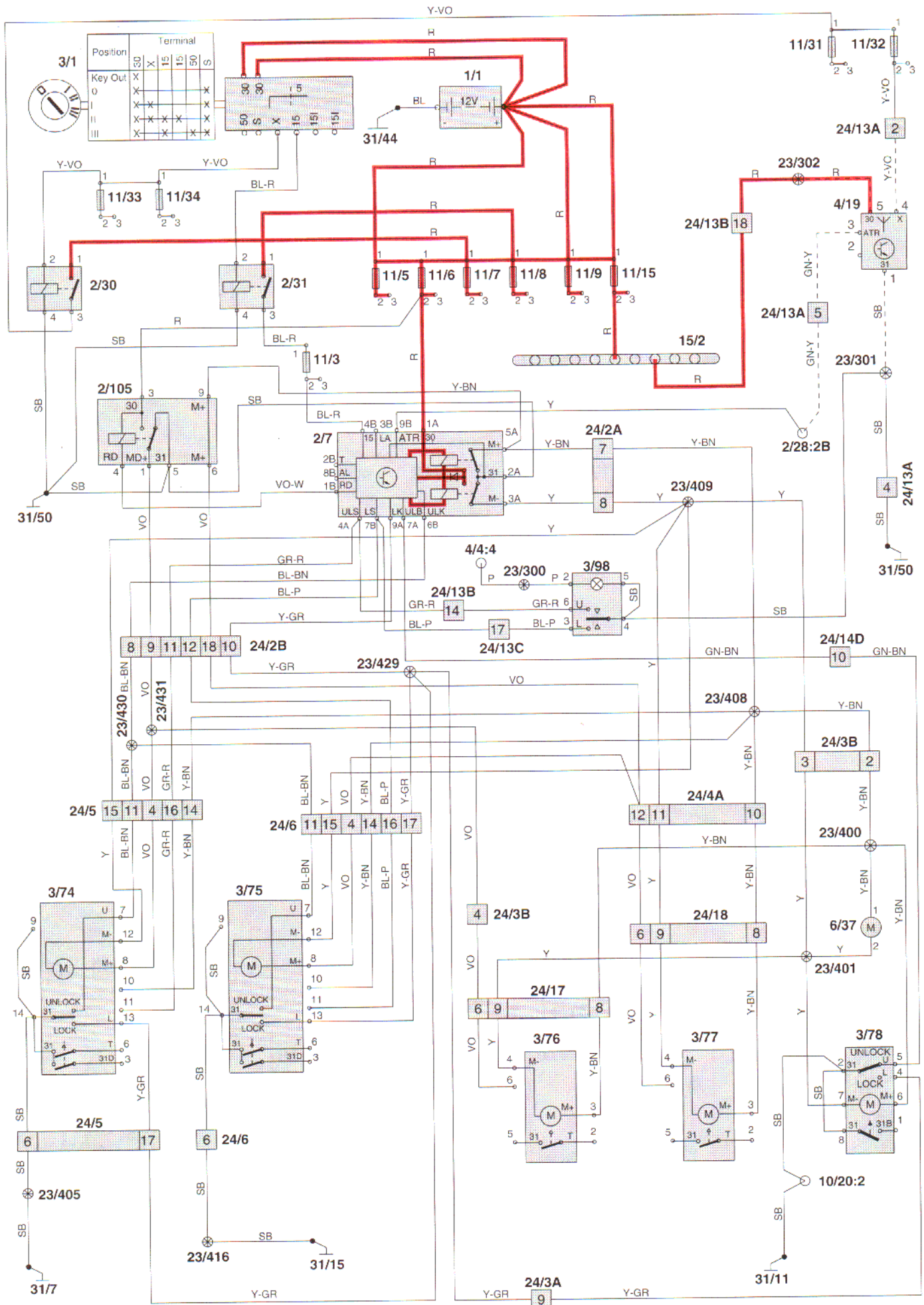
Central locking, 4-door



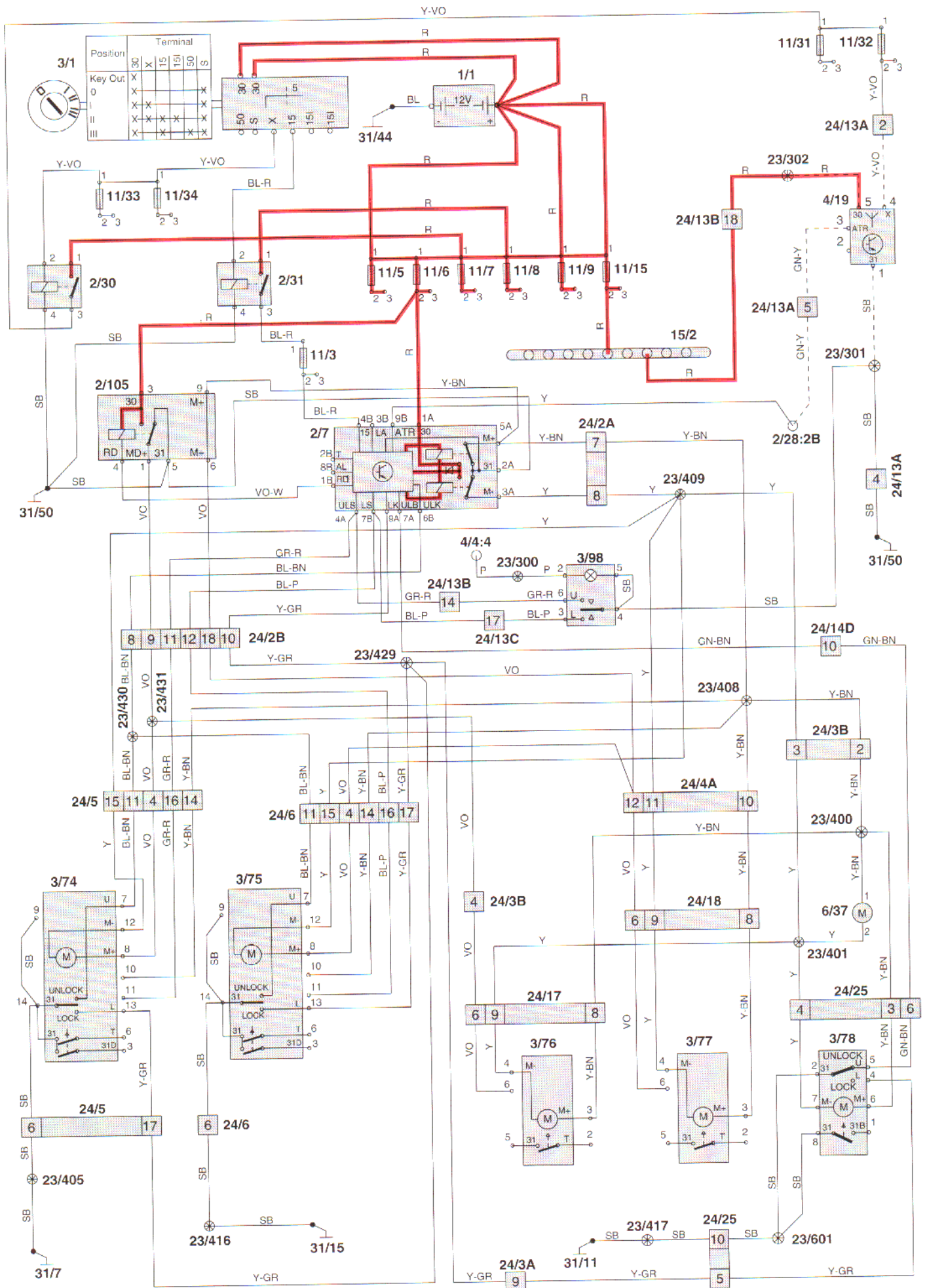
Central locking, 5-door



2-stage central locking, 4-door

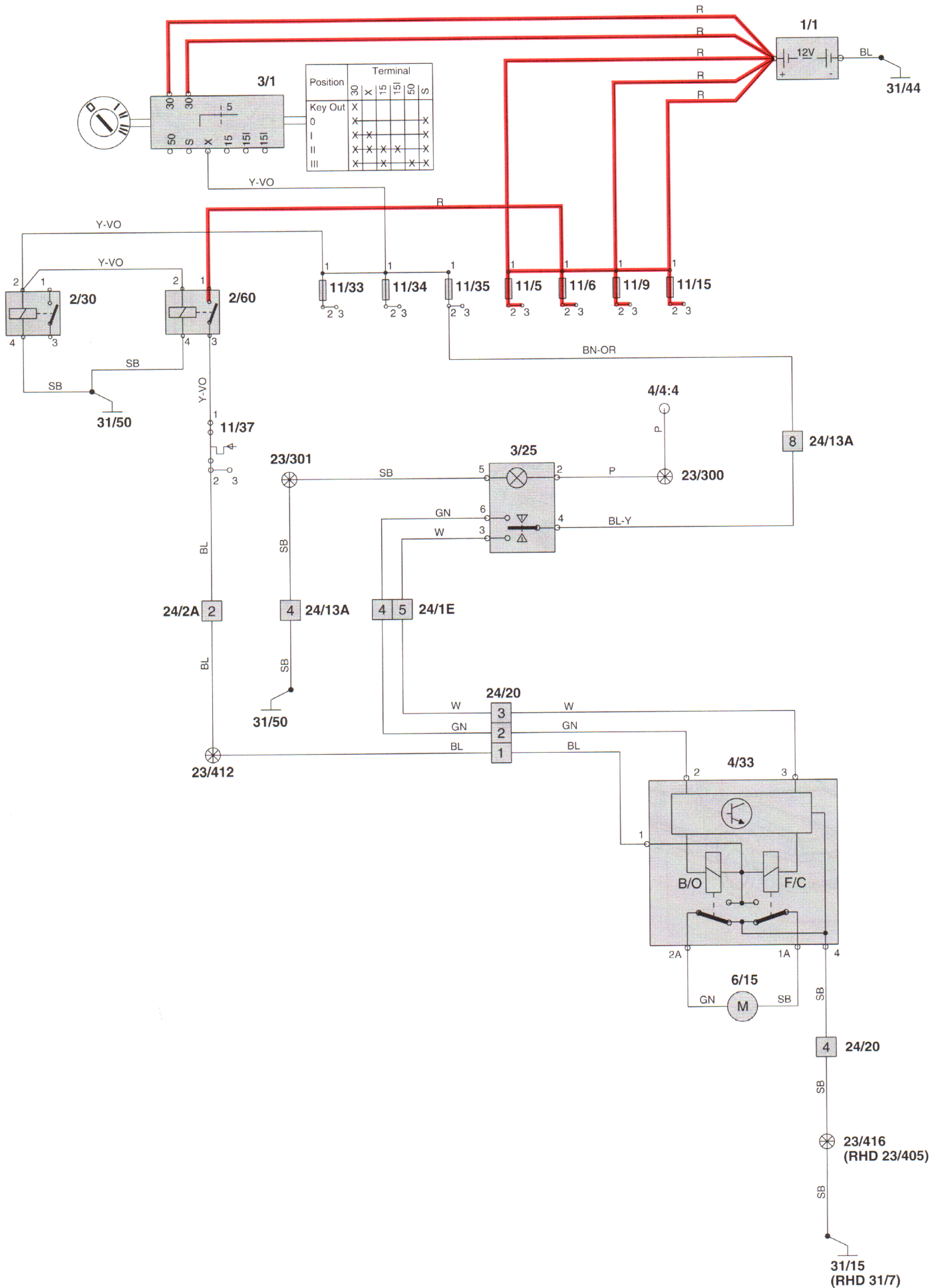


2-stage central locking, 5-door



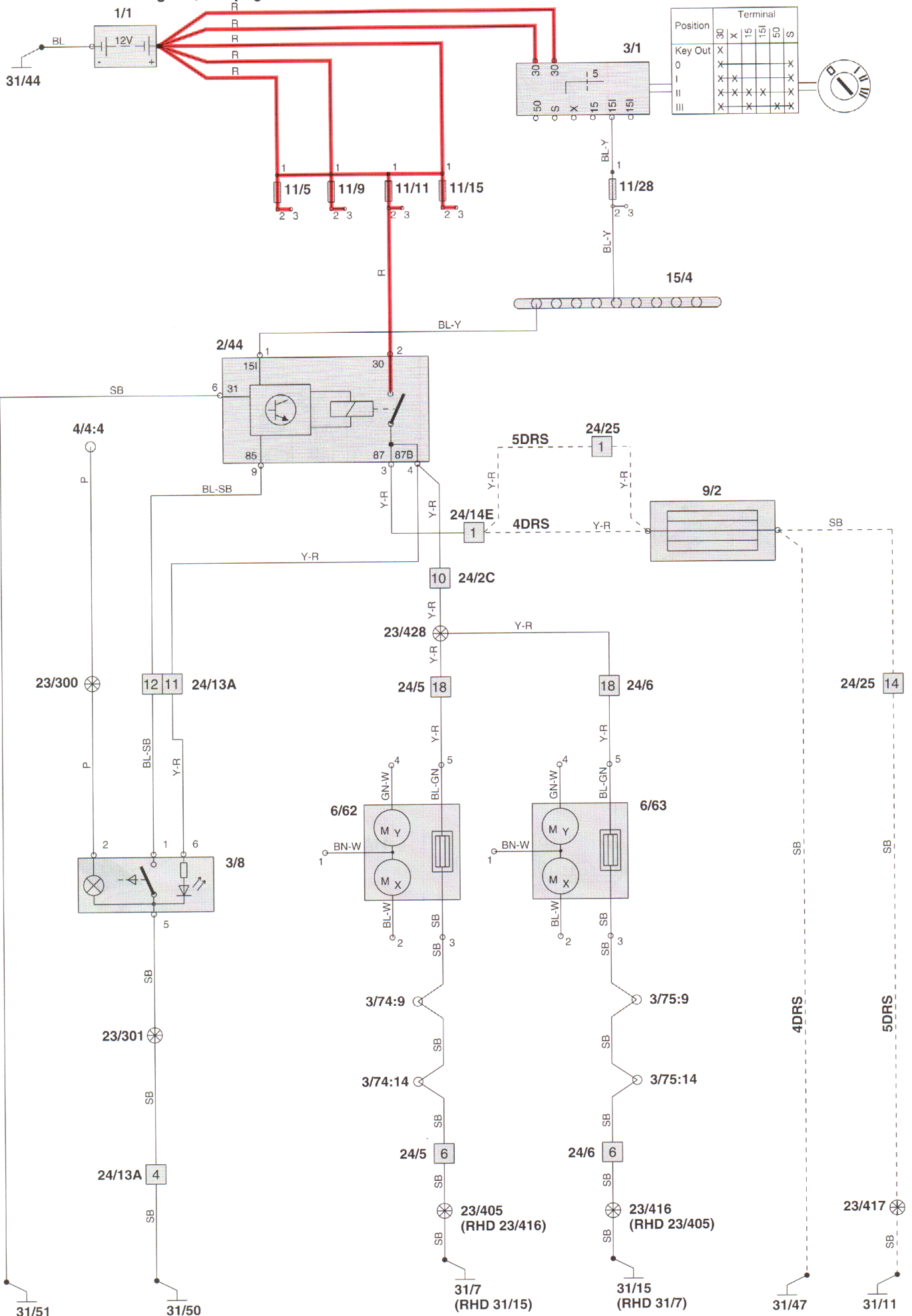
Power sunroof

For function diagram, see page 224.



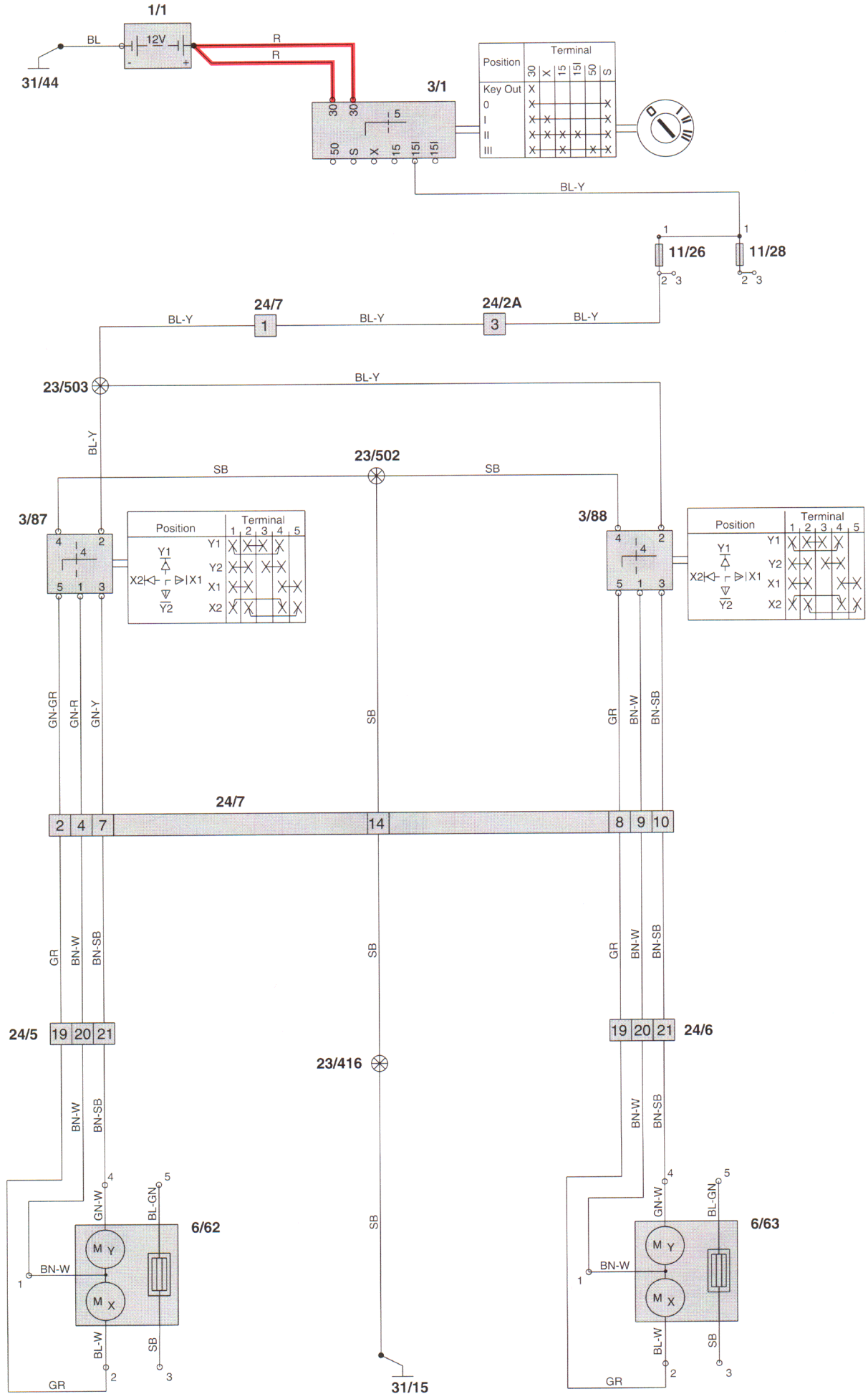
Heated rear window and door mirrors

For function diagram, see page 225.

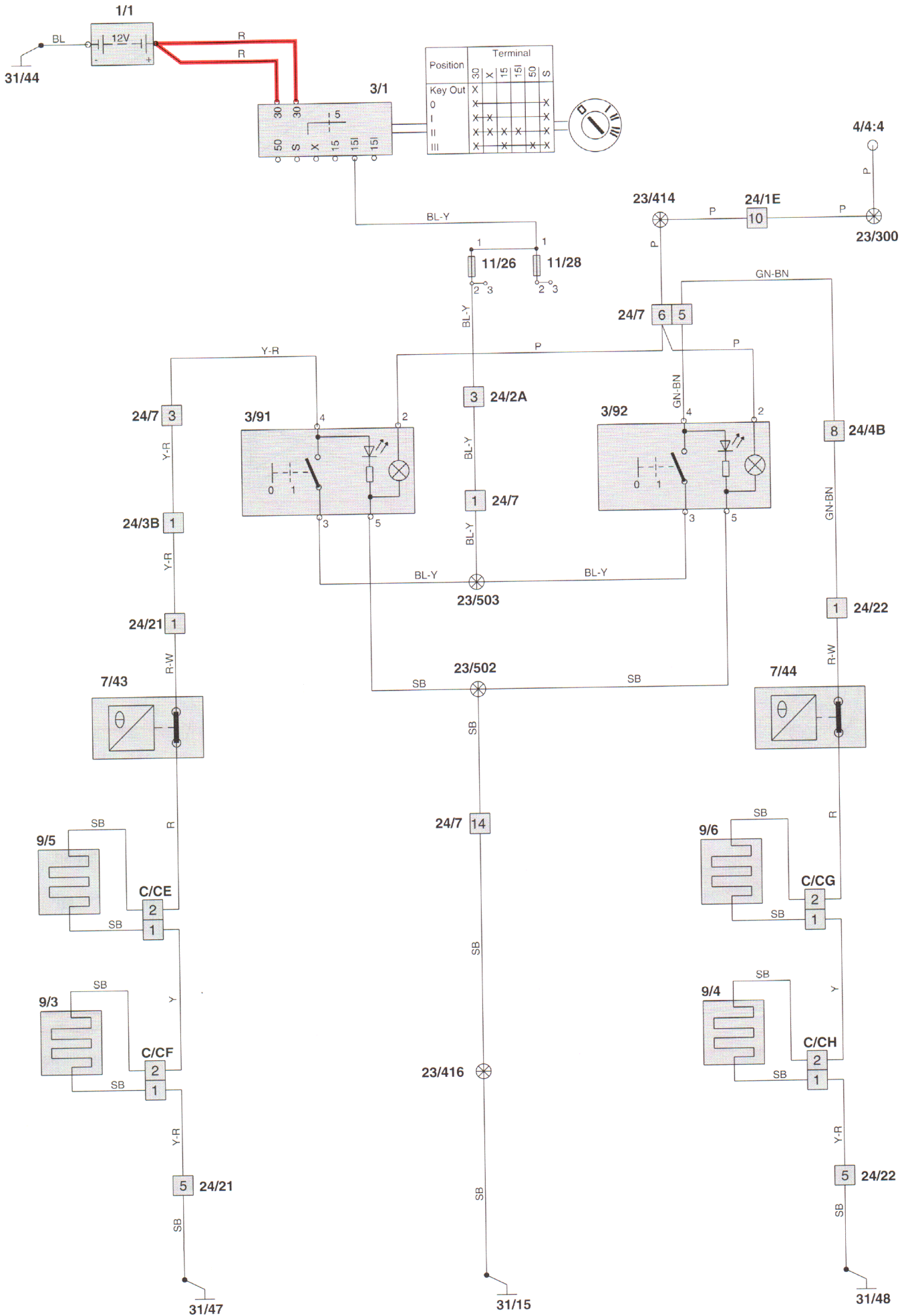


Power door mirrors

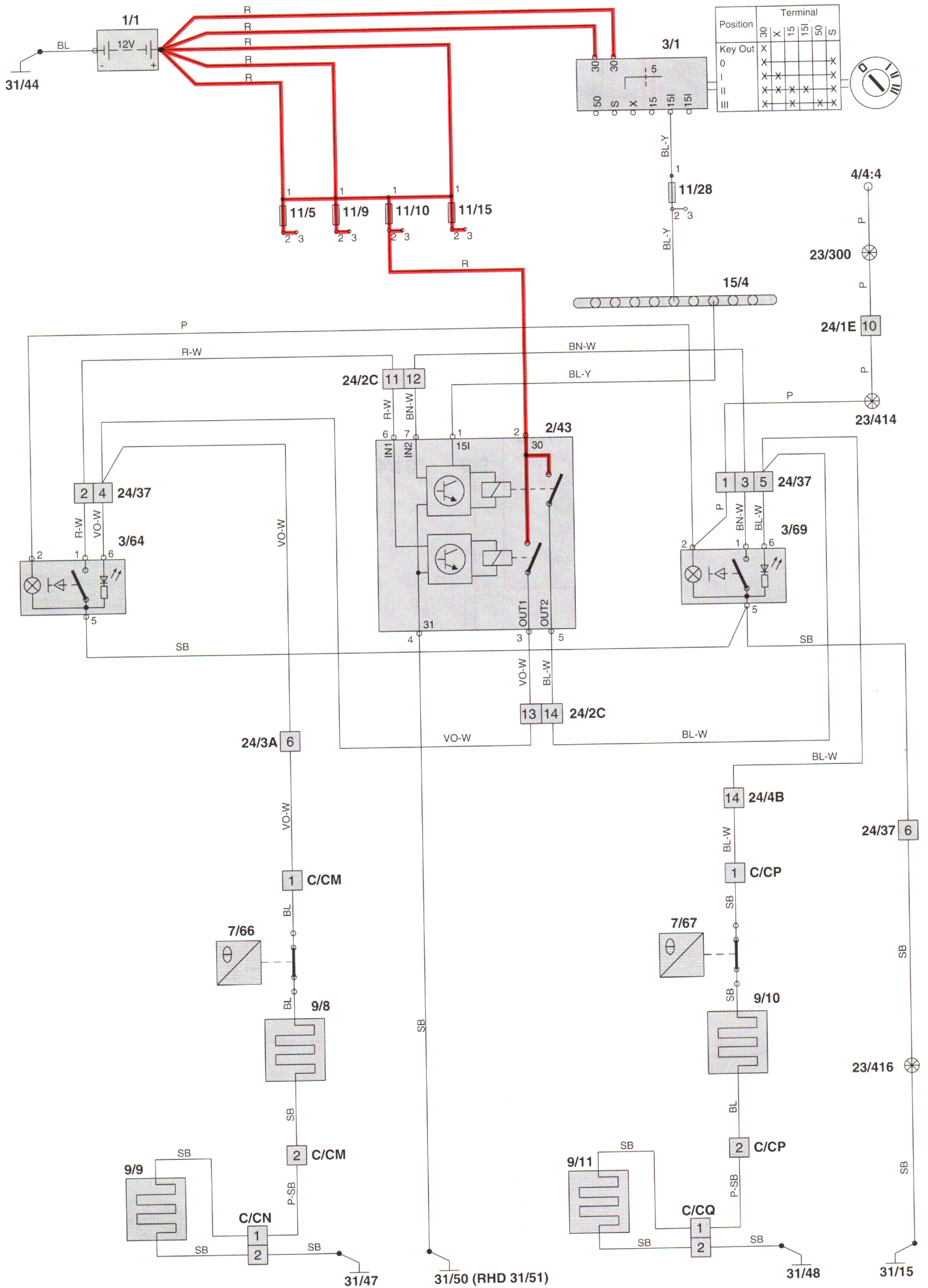
For function diagram, see page 226.



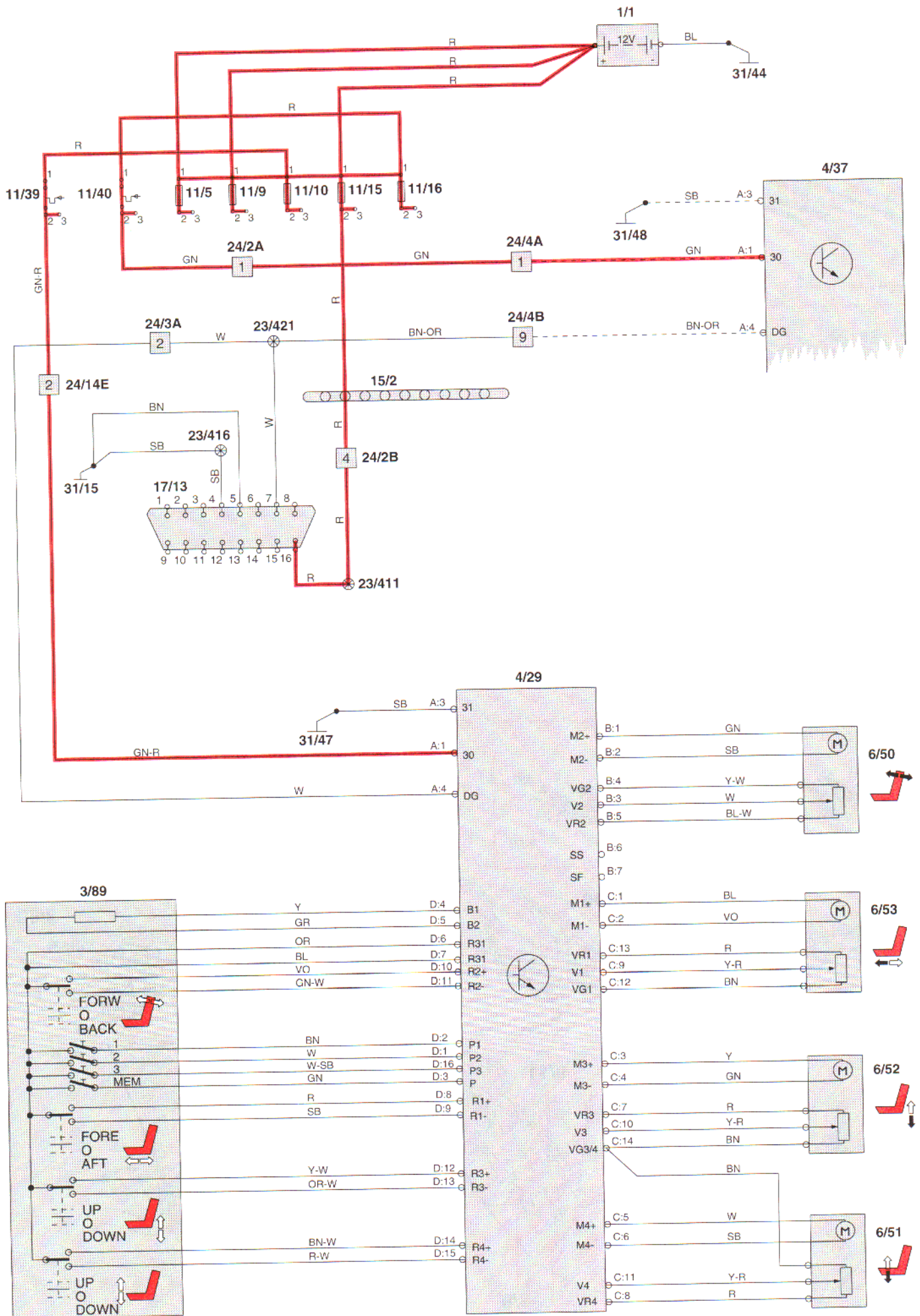
Electrically heated seats



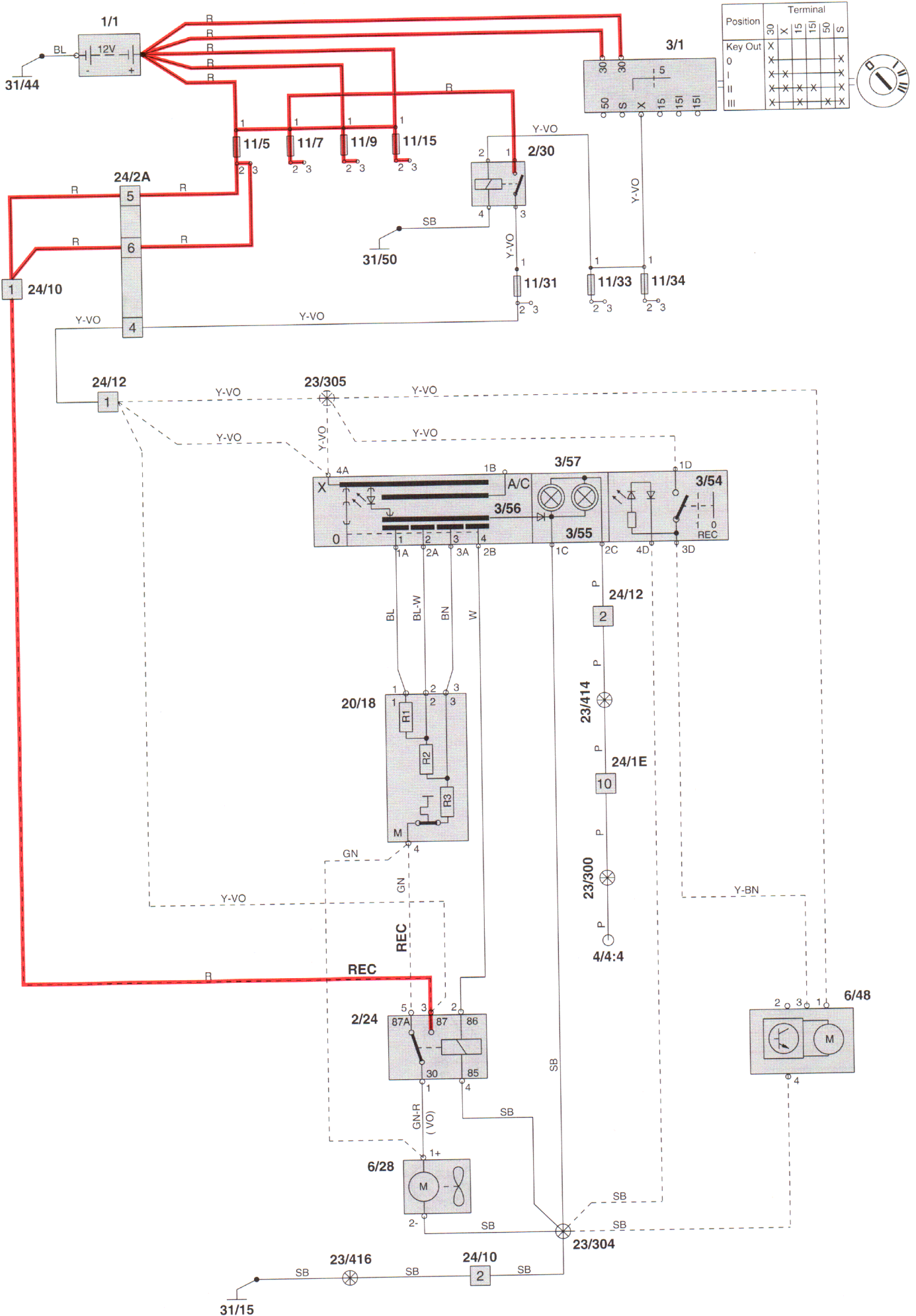
Heated rear seat



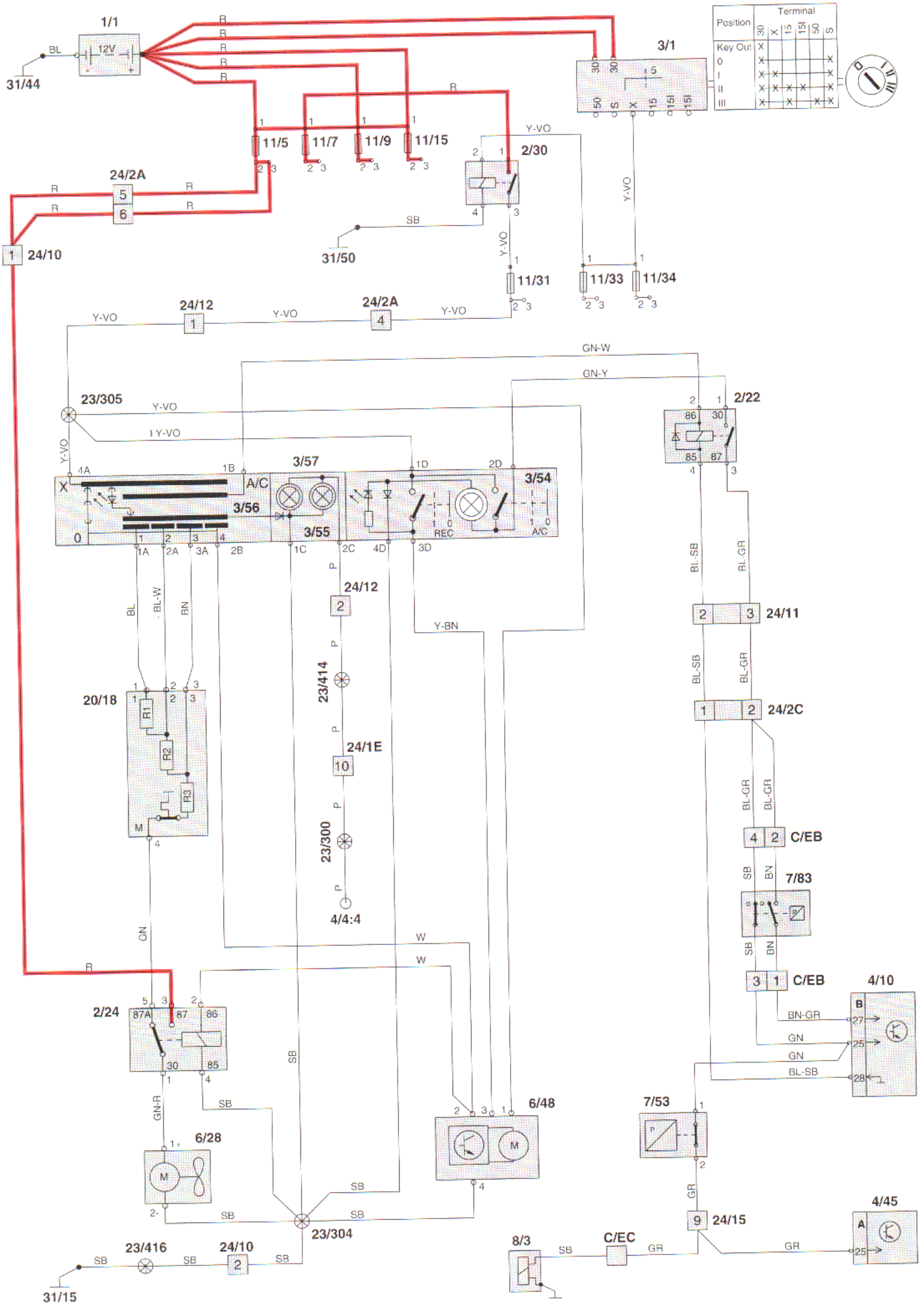
Power seat with memory



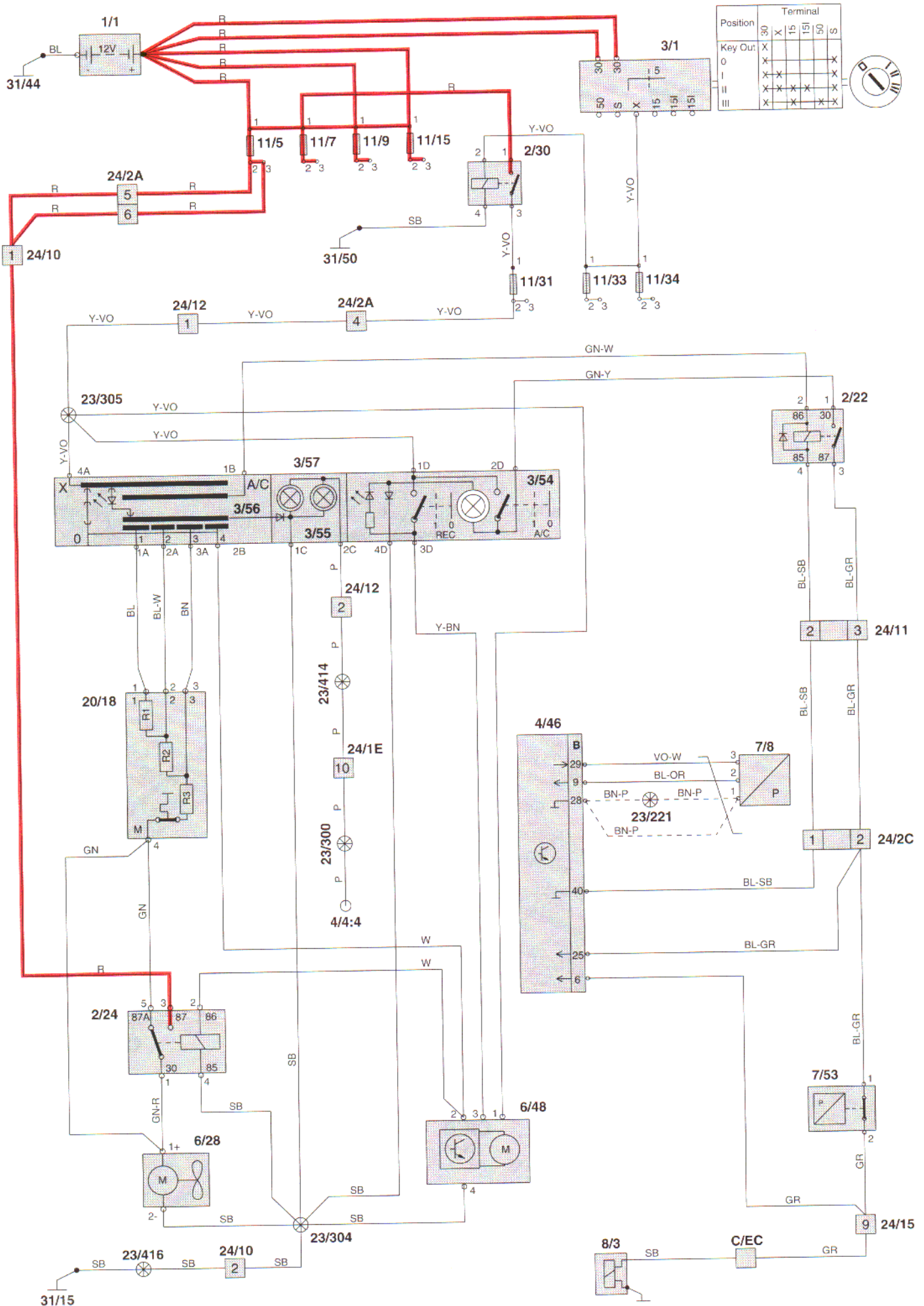
Blower fan



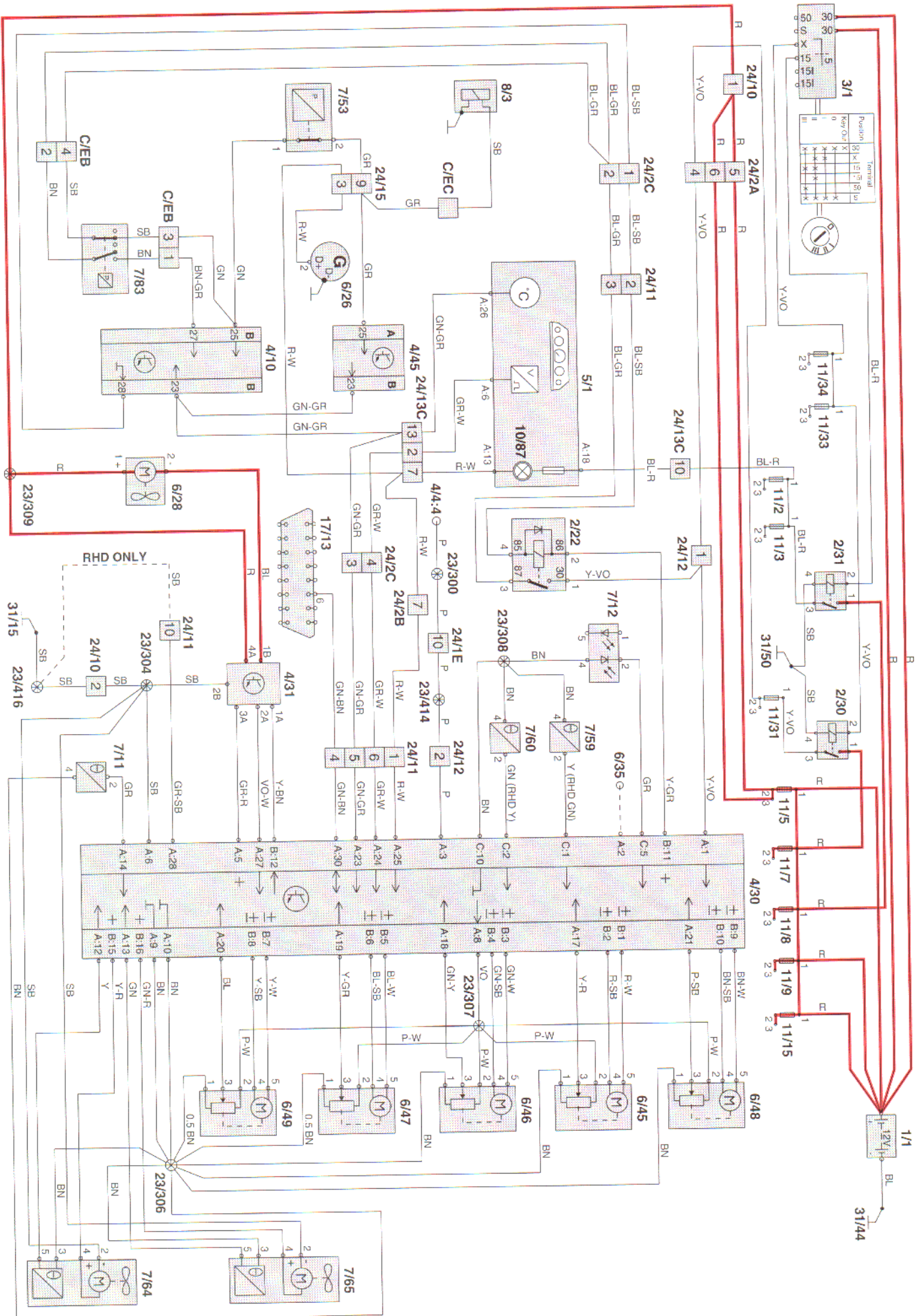
Manual climate unit MCC (LH 3.2 & EZ 129 K)



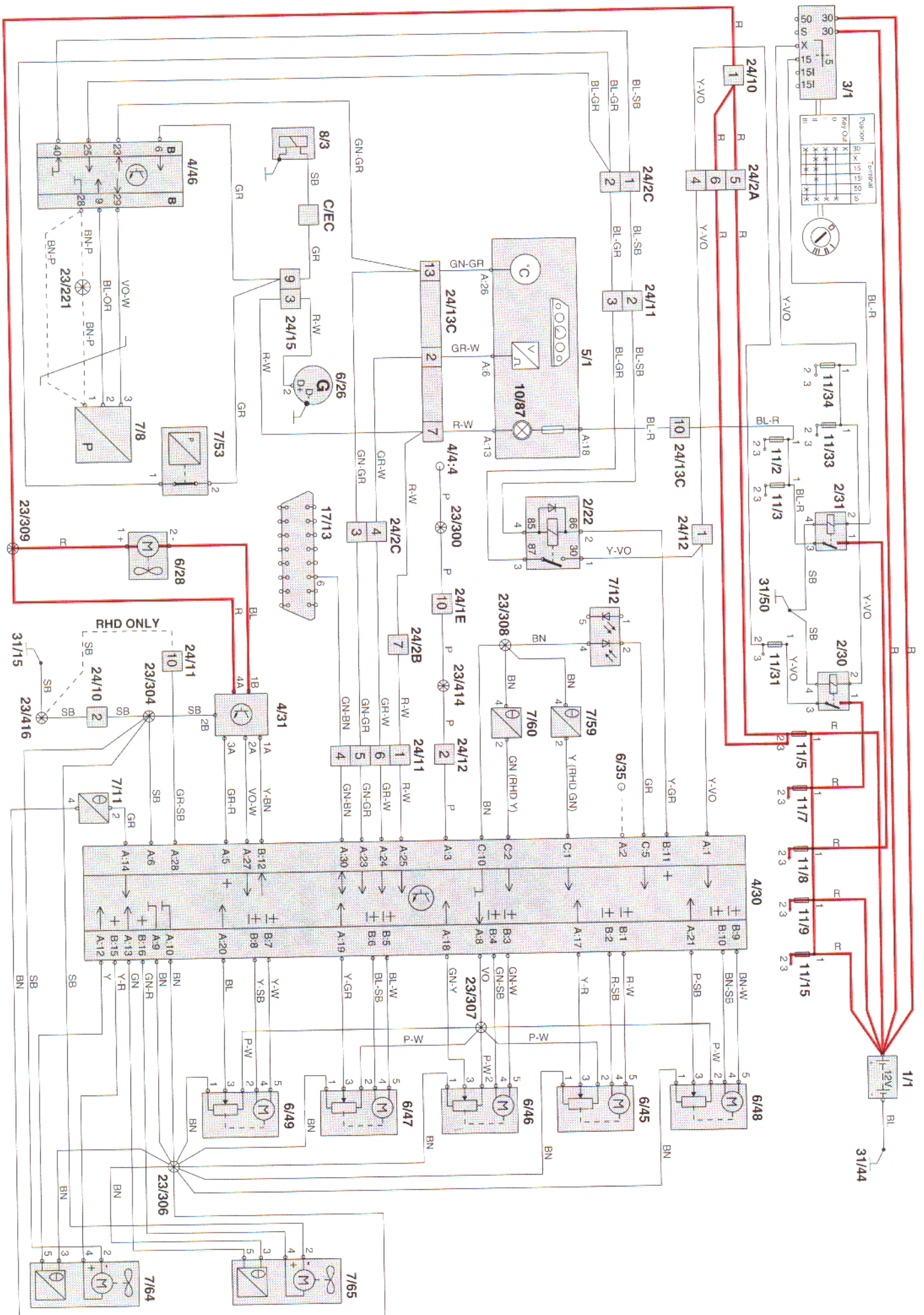
Manual climate unit MCC (Fenix 5.2, Motronic 4.3/4.4)



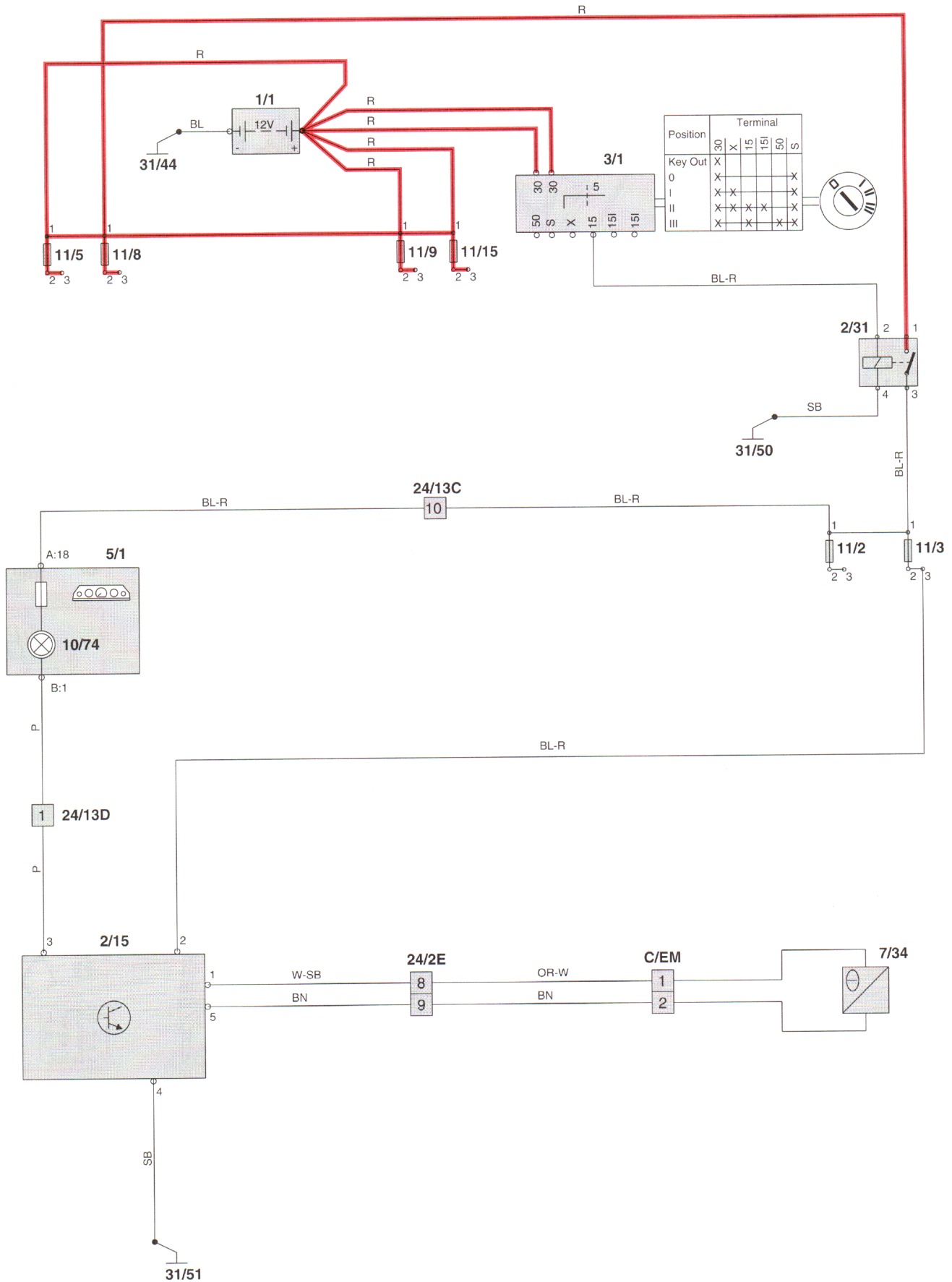
Electronic climate unit ECC (LH 3.2 & EZ 129 K)



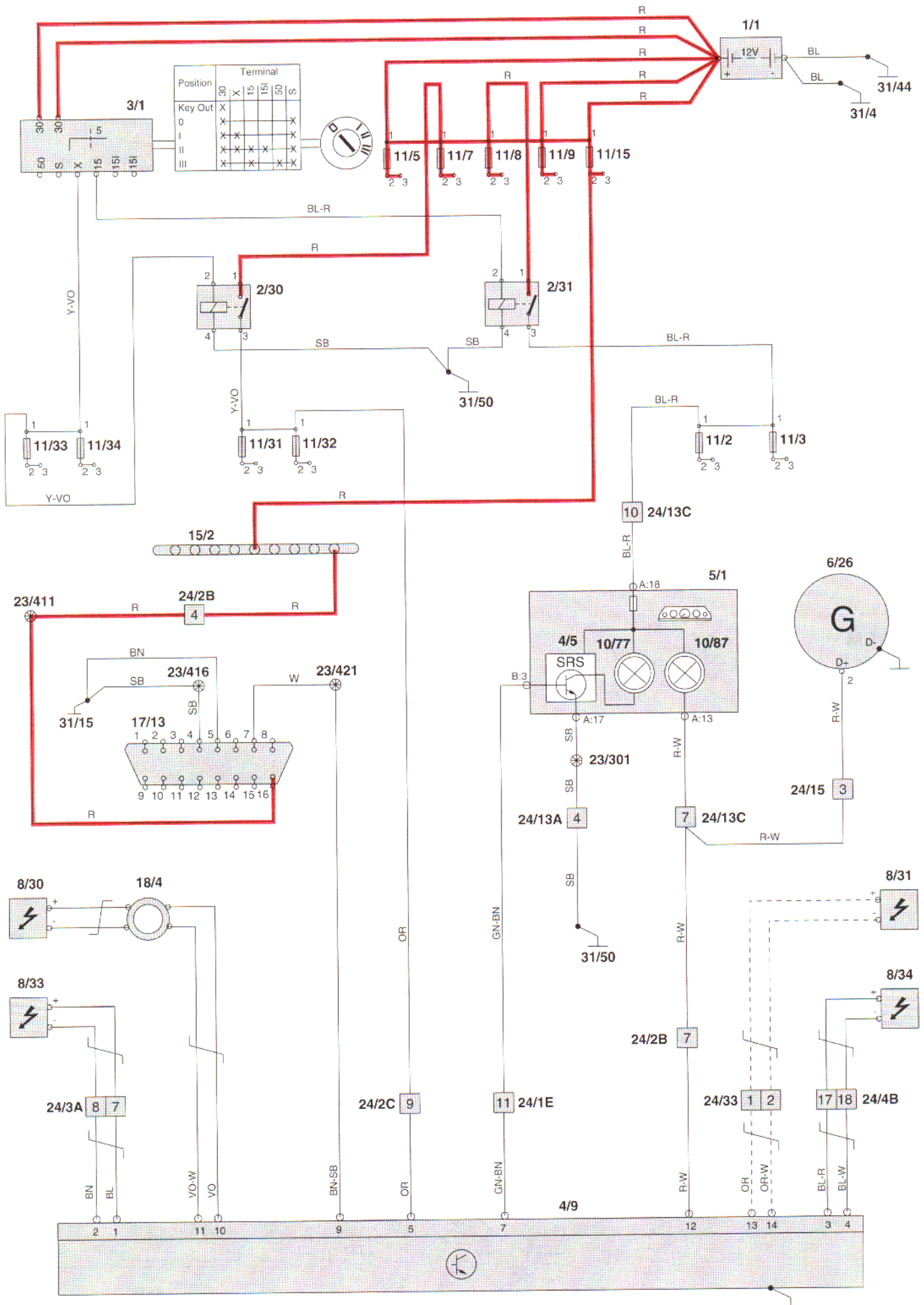
Electronic climate unit ECC (Fenix 5.2, Motronic 4.3/4.4)



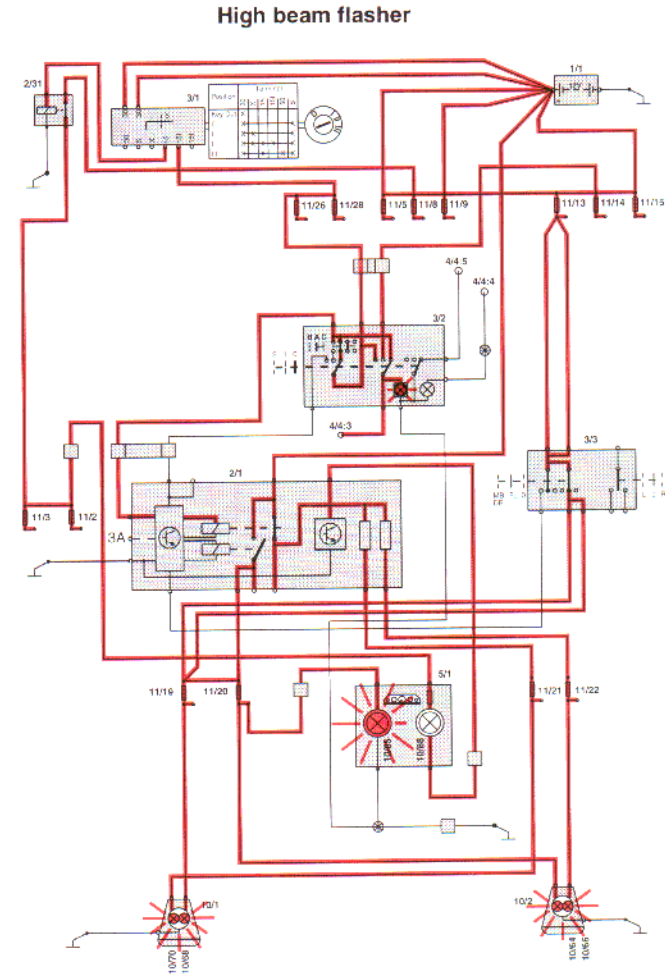
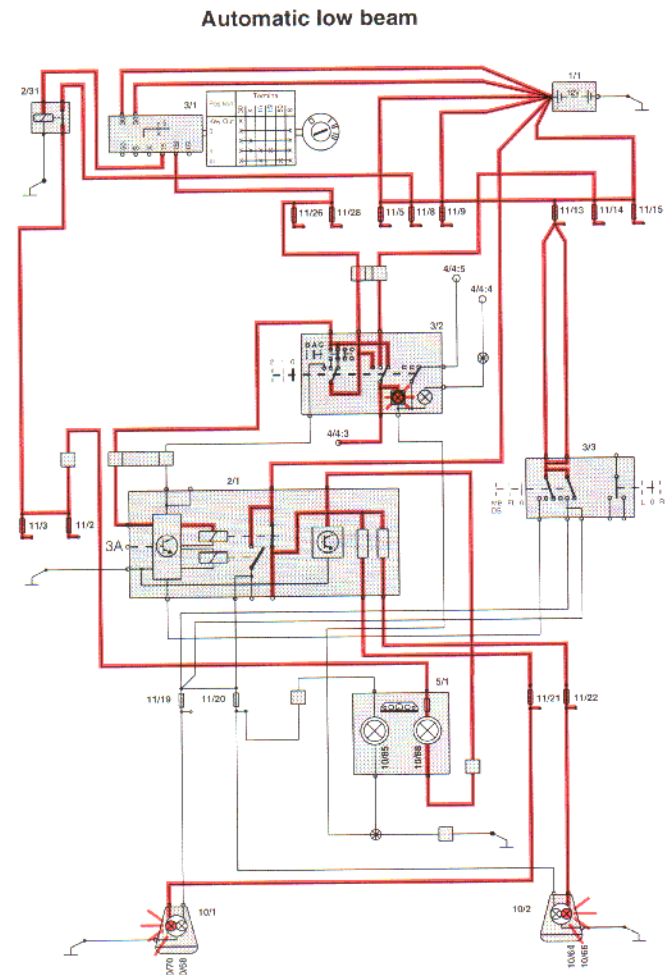
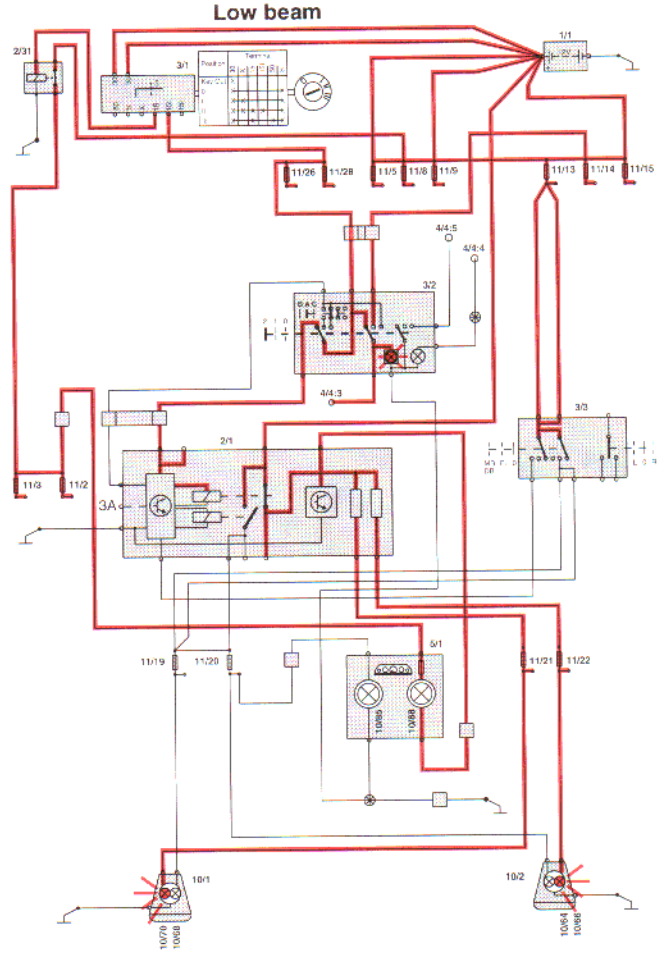
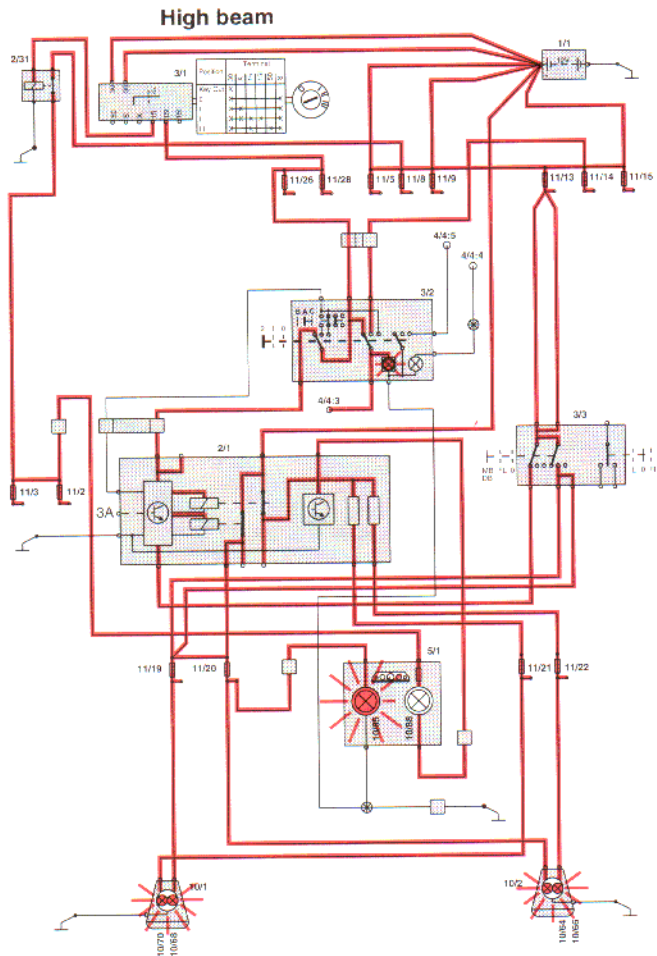
Exhaust temperature sensor (Japan)



SRS Supplemental Restraint System (SRS)



High and low beam Nordic countries, the Netherlands, Belgium, USA Function diagram



Comments

To
VOLVO CAR CORPORATION
Aftersales
Dept. 57731 SAA
S-405 08 GOTHENBURG
Sweden
Telefax +46 31 59 23 53

From

.....
.....
.....

Publication:.....
.....

Section:..... Page..... TP No.....

Suggestion/Reason:

.....
.....
.....
.....
.....
.....
.....
.....

Date.....
.....

If you have any suggestions or comments about this manual make a copy of this page, write down your comments and send to us.

Component list

1/1	Battery	4/33	Control module, power sunroof
2/1	Main headlight relay with bulb failure warning sensor	4/34	Voltage regulator, 8 volts
2/2	Fog light relay	4/35	Voltage regulator, 5 volts
2/3	Regulator, DIM-DIP	4/36	Combined instrument panel microprocessor
2/4	Windshield wiper intermittent relay	4/37	Control module, right front seat
2/5	Seat belt reminder/key warning relay	4/44	DI power stage and ignition coil
2/7	Central locking/delayed inner lighting relay	4/45	Control module, LH-Jetronic 3.2 MFI
2/11	Engine cooling fan relay	4/46	Engine control module
2/15	Relay, exhaust temperature sensor	5/1	Combined instrument panel
2/16	Tailgate wiper intermittent relay	5/2	Clock module
2/22	A/C relay	5/3	Outside temperature/clock module
2/23	Fuel pump relay	5/4	Trip computer
2/24	Blower fan relay, max.	6/1	Windshield wiper motor
2/28	Alarm relay	6/2	Washer motor, front
2/30	Overload relay X+	6/3	Right headlight washer motor
2/31	Overload relay 15+	6/4	Left headlight washer motor
2/32	Main relay, fuel system	6/15	Power sunroof motor
2/43	Heated rear seat relay	6/24	Cruise control vacuum pump
2/44	Relay, heated rear window/door mirrors	6/25	Starter motor
2/47	Relay, deadlock setting	6/26	Generator
2/53	Relay, secondary air pump	6/28	Blower fan
2/60	Overload relay X+	6/29	Engine cooling fan
2/105	Driver door, 2-stage central locking relay	6/30	Tailgate washer motor
3/1	Ignition switch	6/31	Fuel pump
3/2	Light switch	6/32	Tailgate wiper motor
3/3	Switch, turn signal/high and low beam	6/33	Fuel level sensor
3/4	Controls, cruise control	6/34	Power antenna
3/6	Switch, hazard lights with flasher relay	6/35	Parking heater
3/7	Switch, front fog lights	6/37	Central locking motor, tank cap
3/8	Switch, heated rear window/door mirrors	6/38	Beam length control, left actuator
3/9	Stop (brake) light switch	6/39	Beam length control, right actuator
3/10	Back-up (reversing) light switch	6/45	Servo motor, temperature shutter, driver side
3/12	Switch, windshield wipers and washer		Servo motor, temperature shutter, passenger side
3/13	Switch, tailgate wiper and washer	6/46	Servo motor, floor and defroster shutters
3/25	Switch, power sunroof		Servo motor, recirculation shutter
3/37	Horn connectors	6/47	Servo motor, ventilation shutter
3/38	Contact, brake pedal	6/48	Motor, left seat backrest
3/39	Contact, clutch pedal	6/49	Motor, up/down front edge of left seat
3/47	Handbrake contact	6/50	Motor, up/down rear edge of left seat
3/54	REC / A/C switch	6/51	Motor, forwards/backwards left seat
3/55	A/C panel lights	6/52	Secondary air pump
3/56	Blower fan switch	6/53	Power window motor, left front door
3/57	Climate control	6/54	Power window motor, left rear door
3/58	Switch, rear fog light	6/58	Power window motor, right front door
3/59	Beam length control	6/59	Power window motor, right rear door
3/61	Controls, trip computer	6/60	Left power door mirror
3/62	Alarm switch, bonnet	6/61	Right power door mirror
3/63	Program selector, automatic transmission	6/62	Bulb failure warning sensor, rear
3/64	Switch, heated rear seat, left side	6/63	Brake fluid level sensor
3/69	Switch, heated rear seat, right side	7/1	Washer fluid level sensor
3/71	Transmission range sensor	7/4	Oil pressure sensor
3/72	Kick-down switch, throttle control	7/5	A/C pressure sensor
3/74	Lock module, front left	7/6	Outside temperature sensor, ECC
3/75	Lock module, front right	7/8	Solar sensor ECC/indication LED
3/76	Lock module, rear left	7/11	Heated oxygen sensor (HO2S), front
3/77	Lock module, rear right	7/12	Engine coolant temperature sensor
3/78	Lock module, trunk/tailgate	7/15	Mass air flow (MAF) sensor
3/85	Power window switch, left rear door	7/16	Camshaft position sensor
3/86	Power window switch, right rear door	7/17	Tachometer
3/87	Switch, left power door mirror	7/21	Knock sensor (KS), rear
3/88	Switch, right power door mirror	7/22	Knock sensor (KS), front
3/89	Control module, left front seat	7/23	Pulse sensor
3/91	Switch, heated front seat, left	7/24	ABS sensor, front left
3/92	Switch, heated front seat, right	7/25	ABS sensor, front right
3/93	Seat belt lock, left front seat	7/31	Speedometer
3/94	Seat belt lock, right front seat	7/32	Thermoelement catalytic converter
3/95	Switch, TRACS	7/33	Temperature sensor, EGR
3/97	Switch, power windows with auto-down relay	7/34	Antenna ring
3/98	Switch, central locking	7/37	Thermostat, left front seat
3	Control module, cruise control	7/39	Thermostat, right front seat
3/4	Rheostat	7/43	PTC resistor, pre-heater
3/5	Safety circuit SRS	7/44	Pressostat A/C
3/9	SRS sensor unit	7/47	Throttle position (TP) sensor
3/10	Control module, EZK (DI) ignition system	7/53	ABS sensor, rear left
3/15	DI power stage and ignition coil	7/54	ABS sensor, rear right
3/16	ABS control module	7/56	EBD pressure sensor
3/19	Remote control module, central locking/anti-theft alarm	7/57	Temperature sensor, left duct
3/22	Electronic immobilizer	7/58	Temperature sensor, right duct
3/28	Control module, AW 50-42 automatic transmission	7/59	In-car temperature sensor, driver side
3/29	Control module, left front seat	7/60	In-car temperature sensor, passenger side
3/30	Control module, ECC	7/64	Thermostat, rear seat, left side
3/31	Power module, blower fan	7/65	
		7/66	

Index

Accessory wiring	126	Ignition switch	7
Anti-lock braking system ABS	162	Ignition system	54, 56, 60, 64, 68
Automatic Transmission	156, 158	Immobilizer, electronic start inhibitor	122
Backup (reversing) lights	88, 90, 96	Instrument lighting	102
Beam width control	84	Interior lighting	98, 100
Blower fan	192	Key warning	132, 134
Branching points	32	License (registration) plate lighting	88, 90
Bulb failure warning sensor	128	LH Jetronic 3.2 MFI	54
Cable harnesses	8, 9, 25	List of components	see end of manual
Car alarm	116, 118, 120	Low beam (dipped headlights)	80, 82
Central locking	168, 170, 172, 174, 176, 178	Motronic 4.3	60, 64
Central electronic module	4	Motronic 4.4	68
Cigarette lighter	114	Outer temperature	144, 146
Climate control unit	194, 196, 198, 200	Park/neutral position switch	160
Clock module	144, 146	Parking lights	88, 90
Combined instrument panel	136, 140	Power distribution	48
Connectors	8, 9, 25	Power windows	164, 166
Controls lighting	102	Power door mirrors	184
Cruise control	76	Power seat	190
Diagnostics	124	Power sunroof	180
Distribution rails	6	Power supply	78
Engine coolant fan FC	72, 74	Radio	148, 150, 152, 154
EZ 129 K	54	Reduced low beam	82
Exhaust temperature sensor	202	Relays	6, 7
Fenix 5.2	56	Stop (brake) lights	92, 94
Fog lights	86	Seatbelt reminder	2, 134
Fuel injection system	54, 56, 60, 64, 68	SRS Supplementary Restraint System	204
Functions diagram	206	Starter system	78
Fuses	4	Tailgate wash/wipe	112
Ground point	50	Trip computer	144
Hazard flashers	104, 106	Turn signal indicator	104, 106
Headlamp wash/wipe	110	TRACS	162
Heated door mirrors	182	Windshield wash/wipe	110
Heated rear window	182		
Heated rear seat	188		
Heated seats	186		
High beam	80, 82		
Horn	108		

Central electrical unit

Fuses

No.	Function	Ampere
1	LH 3.2 Multiport fuel injection (MFI) EZ 129 K Distributor ignition (DI), Motronic 4.3/4.4 SFI, Fenix 5.2 fuel and ignition system Main relay, Fenix 5.2 fuel system (MFI) Automatic transmission	15
2	Fuel pump, Alarm	15
3	Exhaust temp. sensor (Japan), Interior lighting	10
4	Electronic start inhibitor (Immobilizer)	10
5	Blower fan, 4th speed (cars with recirculation)	30
6	Central locking, Alarm, Relay for deadlock setting Relay for driver's door (2-stage central locking)	25
7	Radio	15
8	Electronic start inhibitor (Immobilizer)	10
9	ABS	30
10	Heated rear seat	15
11	Heated rear window, Heated door mirrors	30
12	Stop (brake) lights	10
13	Turn signal/hazard lights, High beam flasher, Alarm	15
14	ABS	30
15	+30-rail (15/2): Interior lighting, Glove compartment lighting, Entry lighting, Open-door warning lights, Trunk lighting, Remote-controlled central locking/alarm, Seat belt reminder, Diagnostic socket, tilt sensor	10
16	Power antenna, CD changer, (Trailer socket), (Accessories)	30
17	Key warning, USA, Canada, Korea, Australia	10
18	Front fog lights	15
19	High beam, left	15
20	High beam, right, High beam warning (Accessories)	15
21	Low beam, left	15
21	Low beam, right	15
23	Parking lights, License plate light	10
24	Parking lights, Bulb failure warning sensor	10
25	Rear fog lights, rear fog light warning	10
26	Heated front seats, Power door mirrors	25
27	Back-up lights, Turn signal	15
28	+15I-rail (15/4): Heated rear window, Heated door mirrors, Seat belt reminder, Cruise control, Bulb failure warning sensor, Germany, P-shift lock automatic transmission, Heated rear seat	10
29	ABS	15
30	Cigar lighter	15
31	Blower fan, speeds 1-3 (cars with recirculation), Blower fan, speeds 1-4 (cars without recirculation), Climate unit, Recirculation	25
32	Radio, remote-controlled central locking/alarm	10
33	+X-rail (15/8): Beam length control, Tailgate wash/wipe	15
34	Windshield wiper/washer, Horn, Headlight wiper/washer	25
35	Instrument and control lighting, Cigar lighter lighting, Ashtray lighting, Rheostat, Power sunroof, (Accessories)	10
36	Early type: Spare Late type: Alarm siren	10
Automatic fuses		
37	Power windows, Power sunroof	
38	Spare	
39	Power seat, left	
40	Power seat, right	

C Yellow 18-pin

Engine compartment harness - instrument panel harness

Pos	To / From	Color
1	Combined instrument panel, speedometer	Y-BN
2	Combined instrument panel, speed indic. 48 pulses/revolution	GR-W
3	Combined instrument panel, speed indic. 12 pulses/revolution	Y-SB
4	Combined instrument panel, fuel consumption signal to trip computer	GR-R
5	Combined instrument panel, tachometer	W-SB
6	Combined instrument panel indicator lamp, winter mode and low-gear (auto. transmission)	GN-OR
7	Combined instrument panel indicator lamp, charging	R-W
8	Combined instrument panel indicator lamp, coolant level	BN-GR
9	Combined instrument panel, ground point	BN
10	Combined instrument panel, supply	BL-R
11	Combined instrument panel, outside temperature sensor trip computer	GR-SB
12	Combined instrument panel, outside temperature sensor trip computer	GN-SB
13	Combined instrument panel, engine temperature gauge	GN-GR
14	Combined instrument panel indicator lamp, brake fluid level	GR
15	Combined instrument panel indicator lamp, oil pressure	BN-SB
16	-	
17	Switch, central locking	BL-P
18	-	

D Red 18-pin

Engine compartment harness - instrument panel harness

Pos	To / From	Color
1	Combined instrument panel, exhaust temp. lamp	P
2	Combined instrument panel indicator lamp, high beam	BL-W
3	Combined instrument panel indicator lamp, ABS	VO
4	Combined instrument panel indicator lamp, rear fog lights	VO-W
5-6	-	
7	Combined instrument panel, bulb failure warning sensor	GN-W
8	Combined instrument panel indicator lamp, Check engine	BN-W
9	Combined instrument panel indicator lamp, washer fluid level	BL-P
10-13	-	
14	Headlight flasher relay, flash signal to switch	GN-R
15	Headlight flasher relay, hazard lights right side Combined instrument panel indicator lamp, right turn signal	BL-GN
16	Headlight flasher relay, hazard lights left side Combined instrument panel indicator lamp, left turn signal	GN
17	Headlight flasher relay, supply TRACS switch, supply	BL-GR BL-Y
18	Headlight flasher relay, supply	R

E White 12-pin

Instrument panel harness - firewall harness

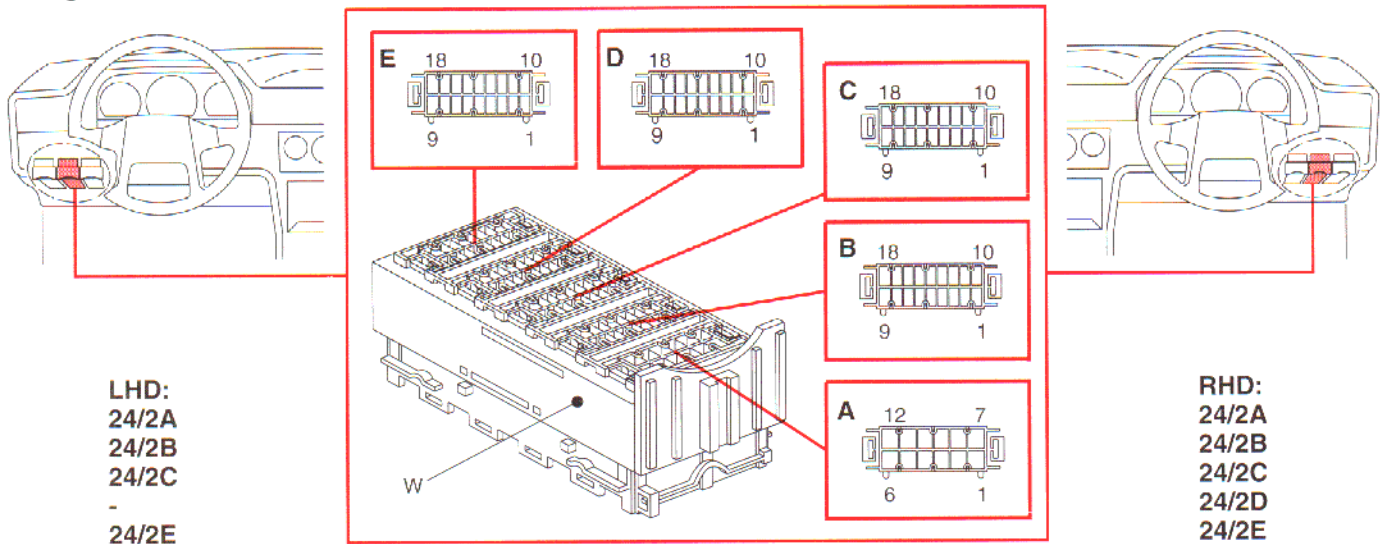
Pos	To / From	Via	Color
1	Handbrake switch, warning signal		Y
2**)	3*) Lock left front door, entry lighting	24/5:10	W-SB (Y-SB)
3**)	2*) Lock right front door, entry lighting	24/6:10	Y-SB (W-SB)
4	Control module, power sunroof, forward-signal	24/20:2	GN
5	Control module, power sunroof, rear-signal	24/20:3	W
6	Fuel level sensor	24/4B:2	Y-GR
7	Fuel level sensor	24/4B:3	Y-R
8	Radio, ground point A-pillar driver's side		SB
9	Power antenna Antenna amplifier	24/3B:8	BL-W
10	Branching point 23/414, from rheostat. Variable supply		P
11	Combined instrument panel, SRS warning signal		GN-BN
12	Combined instrument panel, on-board diagnostics		GN-Y

*) Only right-hand drive cars

**) Only left-hand drive cars

Connector 24/2

Engine compartment harness - firewall harness



A Green 12-pin

Pos	To / From	Via	Color
1	Power seat right, supply	24/4A:1	GN
2	Branching point 23/412, supply		BL
3	Branching point 23/503, supply	24/7:1	BL-Y
4	Branching point 23/305, supply Control module ECC, supply Relay A/C, supply	24/12:1	Y-VO
5	Branching point 23/309, supply Relay, blower fan max, supply	24/10:1	R
6	Branching point 23/309, supply Relay, blower fan max, supply	24/10:1	R
7	Branching point 23/408, central locking		Y-BN
8	Branching point 23/409, central locking		Y
9	Power seat left, supply *)	24/3E:2	GN-R
10	Power antenna *) CD changer *)	24/3E:6	GR-R
11	Heated rear window *)	24/3E:1	Y-R
12	Cigar lighter, supply		Y-VO

B Light blue 18-pin

Pos	To / From	Via	Color
1	Fuel pump, supply	24/4B:1	P
2	Branching point 23/410, "open door warning"		Y-W
3	Courtesy light, delayed inner lighting	24/9:2	P-SB
4	Branching point 23/411, supply		R
5	Courtesy light, seat belt reminder	24/9:3	GR
6	Seat belt lock, driver's seat	24/3B:5 **) 24/4A:6 *)	GR-SB
7	SRS sensor unit ECC control module	24/11:1	R-W
8	Branching point 23/430, central locking		BL-BN
9	Branching point 23/431, central locking		VO
10	Branching point 23/429, central locking		Y-GR
11	Lock, left front door	24/5:16	GR-R
12	Lock, right front door	24/6:16	BL-P
13	ABS sensor, rear left	24/4B:10	GN-R
14	ABS sensor, rear left	24/4B:11	GN-Y
15	ABS sensor, rear right	24/4B:12	GN-W
16	ABS sensor, rear right	24/4B:13	GN-SB
17	Cruise control, on-board diagnostics		Y-R
18	Lock, front right Lock, rear right	24/6:4 24/4A:12	VO

*) Only right-hand drive cars

**) Only left-hand drive cars

C Yellow 18-pin

Pos	To / From	Via	Color
1	Relay A/C	24/11:2	BL-SB
2	Relay A/C	24/11:3	BL-GR
3	ECC control module, engine coolant temperature signal	24/11:5	GN-GR
4	ECC control module, speed signal 48 pulses/revolution	24/11:6	GR-W
5	Tank pressure sensor, pos 1	24/4E:4	BL-GN
6	Tank pressure sensor, pos 3	24/4E:5	OR-SB
7	Tank pressure sensor, pos 2	24/4E:6	BN-P
8	Lock, driver's door, key warning	24/5:10 **) 24/6:10 *)	W-SB
9	SRS sensor unit, supply		OR
10	Branching point 23/428, relay heated rear window/door mirrors		Y-R
11	Switch, heated rear seat, left side	24/37:2	R-W
12	Switch, heated rear seat, right side	24/37:3	BN-W
13	Switch, heated rear seat, left side Thermostat, rear seat, left side	24/37:4 24/3A:6	VO-W
14	Thermostat, rear seat, left side Thermostat, rear seat, right side	24/37:5 24/4B:14	BL-W
15-16	-		
17	Combined instrument panel, speed indic. 12 pulses/revolution	24/13C:3	Y-SB
18	Branching point 23/421, on-board diagnostics socket		W (Y-GR)

D Red 18-pin. Only right-hand drive cars

Pos	To / From	Via	Color
1	Bulb failure warning sensor, rear Parking/back-up lights, left and right License plate lighting	24/3D:1	W
2	Bulb failure warning sensor, rear Supply warning function Parking lights, rear, left and right	24/3D:2	GR
3	Bulb failure warning sensor, rear Stop (brake) lights, left and right and high-level stop (brake) light	24/3D:3	Y
4	Bulb failure warning sensor, warning signal	24/3D:4	GN-W
5	Bulb failure warning sensor, rear, supply warning function	24/3D:5	BL-Y
6	Back-up lights, left and right	24/3D:6	BL
7	Rear fog lights, right	24/3D:7	VO-W
8	Turn signal, rear left	24/3D:8	GN
9	Turn signal, rear right	24/3D:9	BL-GN
10	Lock, tailgate	24/3D:10	GN-BN
11	Tailgate wiper motor, supply	24/3D:18	Y-VO (BL-OR)
12	Tailgate wiper motor, control signal	24/3D:17	GN-OR (OR-SB)
13	Lock, tailgate, microswitch	24/3D:11	BL-BN
14-18	-		

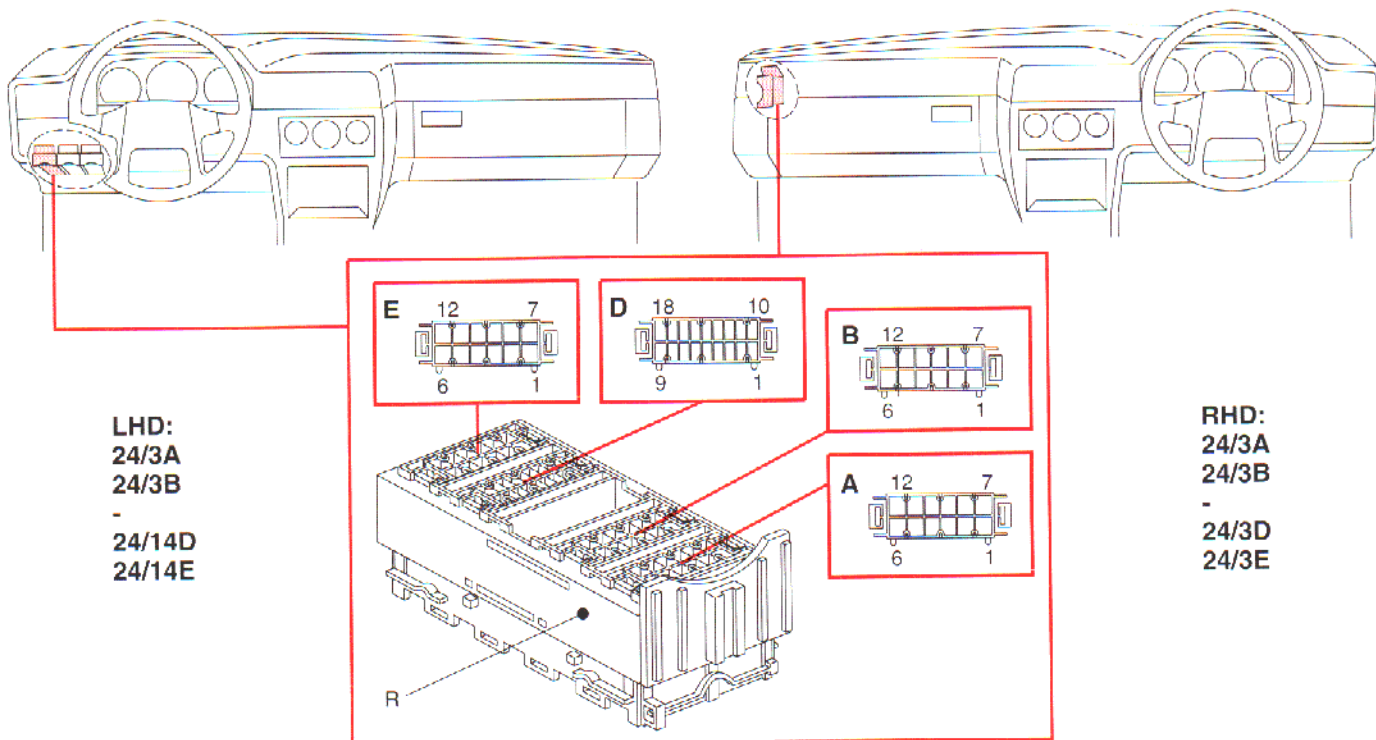
E White 18-pin

Pos	To / From	Via	Color
1	Solenoid P-shift lock		GN
2	Program selector MS1 (automatic transmission)	24/7:11	BN-GR
3	Program selector MS2 (automatic transmission)	24/7:12	GN-OR
4	Branching point 23/502, ground point	24/7:14	SB
5	Control module EZ-K, on-board diagnostics (OBD)		P-W
6	Control module Motronic 4.3/4.4, on-board diagnostics (OBD) Control module Fenix 5.2, on-board diagnostics (OBD) Control module LH-jetronic, on-board diagnostics (OBD) Electronic start inhibitor (Immobilizer)		Y-BN
7	-		
8	Thermoelement, 3-way catalytic converter (Japan)		OR-W (W-SB)
9	Thermoelement, 3-way catalytic converter (Japan)		BN
10-18	-		

*) Only right-hand drive cars

**) Only left-hand drive cars

Connectors 24/3 and 24/14



LHD:
24/3A
24/3B
-
24/14D
24/14E

RHD:
24/3A
24/3B
-
24/3D
24/3E

A Green 12-pin Firewall harness - left door sill harness

Pos	To / From	Via	Color
1	Tilt sensor, signal *)		BL-OR
2	Power seat, on-board diagnostics (OBD)		W
3	Power window switch, left rear door	24/17:7	GN-GR
4	Power window switch, left rear door	24/17:10	R-SB
5	Power window switch, left rear door, ON/OFF	24/17:3	GR-R
6	Thermostat, rear seat left side		VO-W
7	Seat belt tensioner, left side igniter		BL-R
8	Seat belt tensioner, left side igniter		BL-W
9	Lock, tailgate/trunk	24/25:5 ***)	Y-GR
10-12	-		

B Light blue 12-pin Firewall harness - left door sill harness

Pos	To / From	Via	Color
1	Heated seat, left	24/12:1	Y-R
2	Branching point 23/400, central locking		Y-BN
3	Branching point 23/401, central locking		Y
4	Lock motor, rear left	24/17:6	VO
5	Seat belt lock, left seat	24/21:6	GR-SB
6	Lock motor, rear left, "open door warning"	24/17:11	Y-W
7	Lock motor, rear left, open door warning lamp supply Trunk lighting, supply Tilt sensor, supply	24/17:4	R
8	Power antenna		BL-W
9	Loudspeaker, rear shelf/D-pillar left side Loudspeaker, left rear door	24/17:1	BN-W
10	Loudspeaker, rear shelf/D-pillar left side Loudspeaker, left rear door	24/17:2	BN-SB
11	Loudspeaker, rear shelf/D-pillar right side		P-W
12	Loudspeaker, rear shelf/D-pillar right side		P-SB

*) Only right-hand drive cars

***) Only 5-door cars

D Red 18-pin**Left-hand drive cars:****Engine compartment harness - left door sill harness****Right-hand drive cars:****Firewall harness - left door sill harness**

Pos	To / From	Via ***)	Color
1	Bulb failure warning sensor, rear Parking/back-up lights, left and right License plate lighting	24/25:11	W
2	Bulb failure warning sensor, rear Supply warning function Parking lights, rear, left and right		GR
3	Bulb failure warning sensor, rear Stop (brake) lights, left and right and high-level stop (brake) light		Y
4	Bulb failure warning sensor, rear, warning signal		GN-W
5	Bulb failure warning sensor, rear, supply warning function		BL-Y
6	Back-up (reversing) lights, left and right		BL
7	Rear fog light, driver's side		VO-W
8	Turn signal, rear left		GN
9	Turn signal, rear right		BL-GN
10	Lock, tailgate/trunk	24/25:6	GN-BN
11	Lock, tailgate/trunk, microswitch	24/25:13	BL-BN
12-16	-		
17	Tailgate wiper motor, control signal	24/25:8	GN-OR (OR-SB)
18	Tailgate wiper motor, supply	24/25:9	Y-VO (BL-OR)

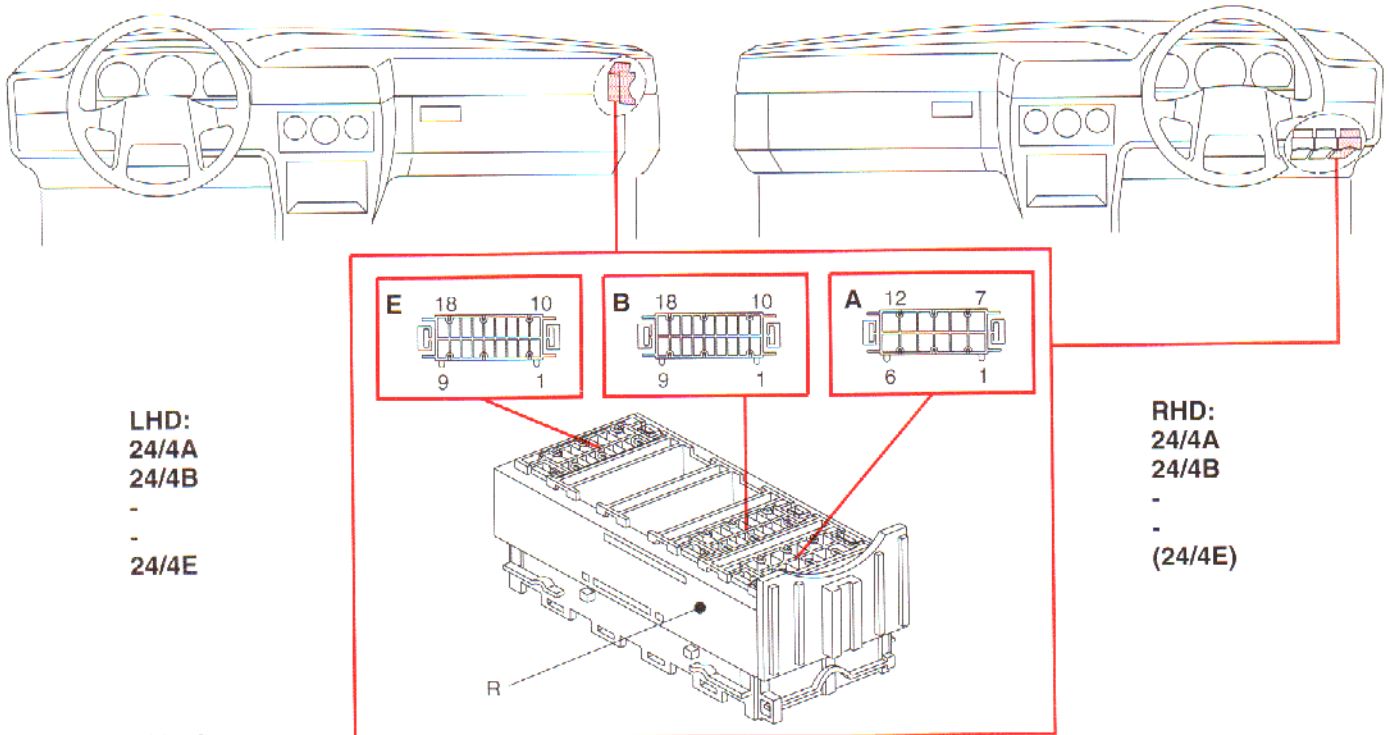
E White 12-pin**Left-hand drive cars:****Engine compartment harness - left door sill harness****Right-hand drive cars:****Firewall harness - left door sill harness**

Pos	To / From	Via ***)	Color
1	Heated rear window	24/25:1	Y-R
2	Power seat, left, supply		GN-R
3-5	-		
6	Power antenna CD changer		GR-R
7-12	-		

***) Only 5-door cars

Connector 24/4

Firewall harness - right door sill harness



LHD:
24/4A
24/4B
-
-
24/4E

RHD:
24/4A
24/4B
-
-
(24/4E)

A Green 12-pin

Pos	To / From	Via	Color
1	Power seat, right, supply		GN
2	Power window switch, right rear door	24/18:7	GN-W
3	Power window switch, right rear door	24/18:10	GN-Y
4	Power window switch, right rear door, ON/OFF	24/18:3	GN-R
5	-		
6	Seat belt lock, right front seat	24/22:6	GR-SB
7-9	-		
10	Lock motor, rear right	24/18:8	Y-BN
11	Lock motor, rear right	24/18:9	Y
12	Lock motor, rear right	24/18:6	VO

B Light blue 18-pin

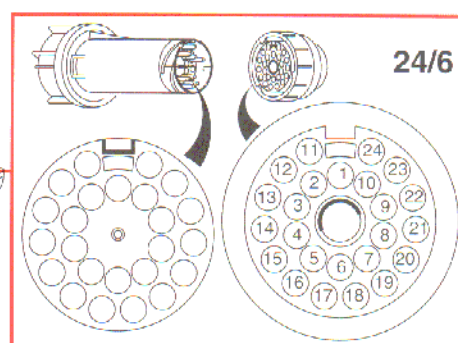
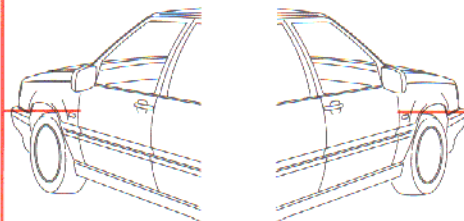
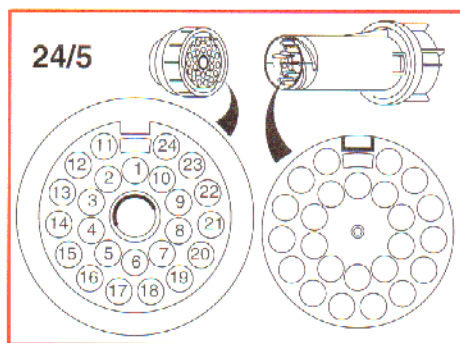
Pos	To / From	Via	Color
1	Fuel pump, supply		P
2	Fuel level sensor		Y-GR
3	Fuel level sensor		Y-R
4	Loudspeaker, right rear door	24/18:1	P-W
5	Loudspeaker, right rear door	24/18:2	P-SB
6	Lock motor, rear right, door-open warning lamp supply	24/18:4	R
7	Lock motor, rear right, "door open signal"	24/18:11	Y-W
8	Heated front seat right	24/22:1	GN-BN
9	Power seat, on-board diagnostics (OBD)		BN-OR
10	ABS sensor, rear left	24/19:1	GN-R
11	ABS sensor, rear left	24/19:3	GN-Y
12	ABS sensor, rear right	24/19:2	GN-W
13	ABS sensor, rear right	24/19:4	GN-SB
14	Thermostat, rear seat, right side		BL-W
15-16	-		
17	Seat belt tensioner, right side igniter		BL-R
18	Seat belt tensioner, right side igniter		BL-W

E White 18-pin

Pos	To / From	Via	Color
1-3	-		
4	Tank pressure sensor, pos 1		BL-GN
5	Tank pressure sensor, pos 3		OR-SB
6	Tank pressure sensor, pos 2		BN-P
7-18	-		

Connector 24/5

Connector 24/6



24/6

Connector 24/5, 24-pin. Firewall harness - harness left front door

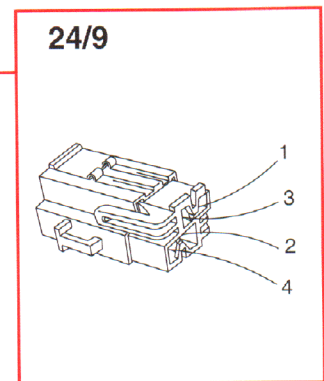
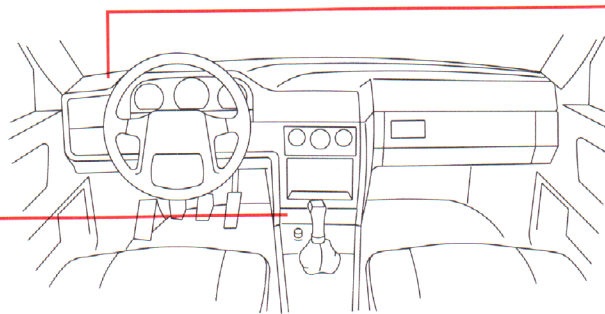
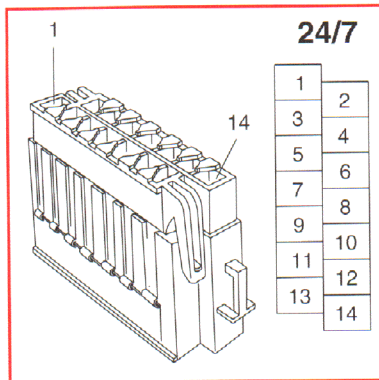
Pos	To / From	Color
1	Lock motor, door-open warning lamp supply	R
2	Lock motor, "door open signal"	Y-W
3	-	
4	Lock motor	VO
5	Loudspeaker, door	GN-W
6	Lock motor, ground point Heated door mirror, ground point	SB
7	Loudspeaker, door	GN-BN
8	-	
9	-	
10	Lock motor, entry lighting and key warning	W-SB
11	Lock motor	BL-BN
12	-	
13	Power window motor	BL-GN
14	Lock motor	Y-BN
15	Lock motor	Y
16	Lock motor	GR-R
17	Lock motor	Y-GR
18	Heated door mirror, supply	Y-R
19	Power door mirror, horizontal adjustment	GR
20	Power door mirror, vertical/horizontal adjustment	BN-W
21	Power door mirror, vertical adjustment	BN-SB
22	Power window motor	GN
23	-	
24	-	

Connector 24/6, 24-pin. Firewall harness - harness right front door

Pos	To / From	Color
1	Lock motor, door warning lamp supply	R
2	Lock, "open door signal"	Y-W
3	-	
4	Lock motor	VO
5	Loudspeaker, door	R-W
6	Lock motor, ground point Heated door mirror, ground point	SB
7	Loudspeaker, door	R-SB
8	-	
9	-	
10	Lock motor, entry lighting and key warning	Y-SB
11	Lock motor	BL-BN
12	-	
13	Power window motor	BL-W
14	Lock motor	Y-BN
15	Lock motor	Y
16	Lock motor	BL-P
17	Lock motor	Y-GR
18	Heated door mirror, supply	Y-R
19	Power door mirror, horizontal adjustment	GR
20	Power door mirror, vertical/horizontal adjustment	BN-W
21	Power door mirror, vertical adjustment	BN-SB
22	Power window motor	W
23	-	
24	-	

Connector 24/7, 14-pin Firewall harness - tunnel harness

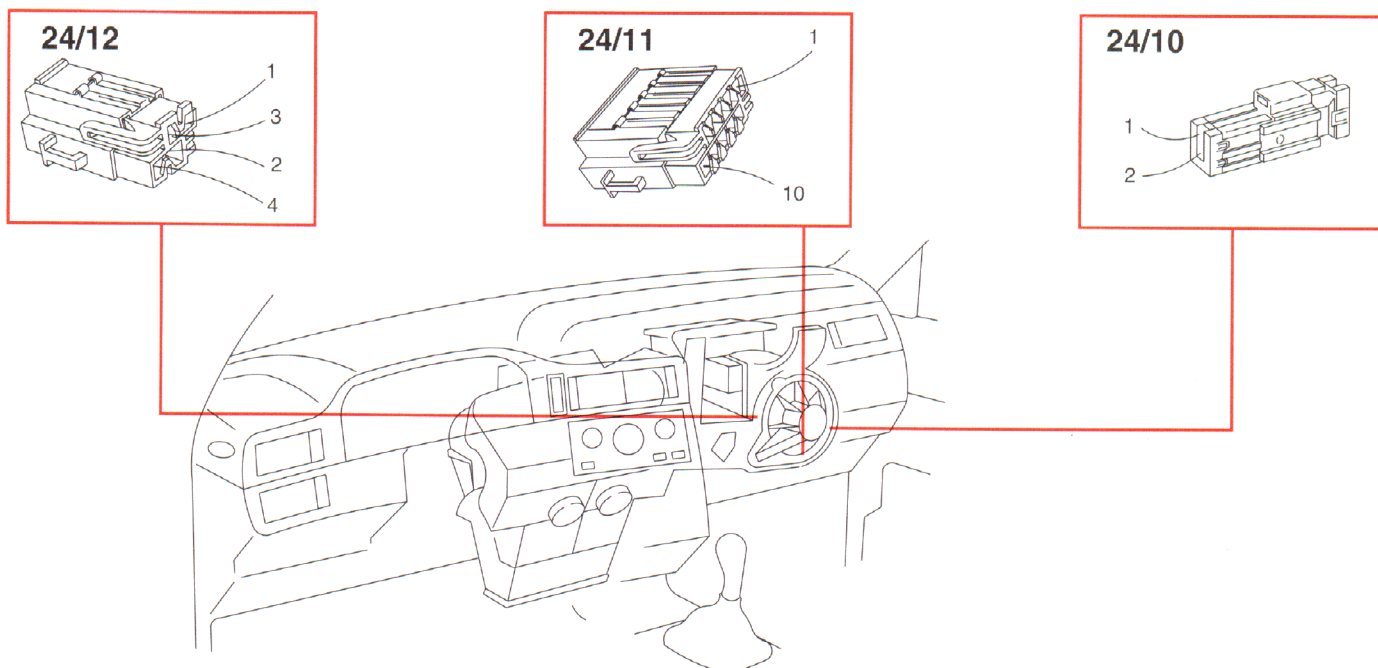
Pos	To / From	Color
1	Branching point 23/503, supply	BL-Y
2	Left power door mirror, horizontal adjustment	GN-GR (GR)
3	Switch, heated seat, left	Y-R
4	Switch, left power door mirror, vertical/horizontal adjustment	GN-R (BN-W)
5	Switch, heated seat, right	GN-BN
6	Switch, heated seat, left, control lighting, variable supply Switch, heated seat, right, control lighting, variable supply Ashtray lighting, rear, variable supply	P
7	Switch, left power door mirror, horizontal adjustment	GN-Y (BN-SB)
8	Switch, right power door mirror, horizontal adjustment	GR
9	Switch, right power door mirror, horizontal/vertical adjustment	BN-W
10	Switch, right power door mirror, vertical adjustment	BN-SB
11	Program selector MS1 (automatic transmission)	BN-GR
12	Program selector MS2 (automatic transmission)	GN-OR
13	Program selector W (automatic transmission)	GR-OR
14	Branching point 23/502, ground point	SB



Connector 24/9, 4-pin Firewall harness - roof harness

Pos	To / From	Color
1	Courtesy light, supply	R
2	Courtesy light, delayed inner lighting	P-SB
3	Courtesy light (seat belt reminder)	GR
4	Courtesy light, ground point Reading light, rear left Reading light, rear right	SB

Connectors 24/10, 24/11, 24/12



Connector 24/10, 2-pin. Firewall harness - Blower fan / A/C harness

Pos	To / From	Color
1	Blower fan relay, max, supply Branching point 23/309, ECC supply	R
2	Branching point 23/304, ground point climate unit	SB

Connector 24/11, 10-pin. Firewall harness - A/C harness

Pos	To / From	Color
1	Control module ECC, supply	R-W
2	A/C relay	BL-SB
3	A/C relay	BL-GR
4	ECC control module, on-board diagnostics (OBD)	GN-BN
5	ECC control module, engine temp. signal	GN-GR
6	ECC control module, speed signal 48 pulses/revolution	GR-W
7	-	
8	-	
9	-	
10	ECC control module, ground point *)	GR-SB

Connector 24/12, 4-pin. Firewall harness - blower fan / A/C harness

Pos	To / From	Color
1	Branching point 23/305, A/C unit supply. Not ECC	Y-VO
2	A/C lights, variable supply ECC control module lights, variable supply	P
3	-	
4	-	

*) Only right-hand drive cars

Connector 24/13

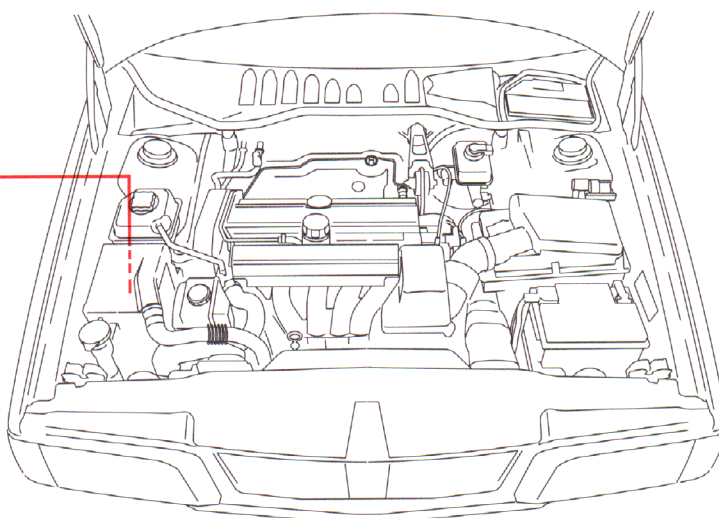
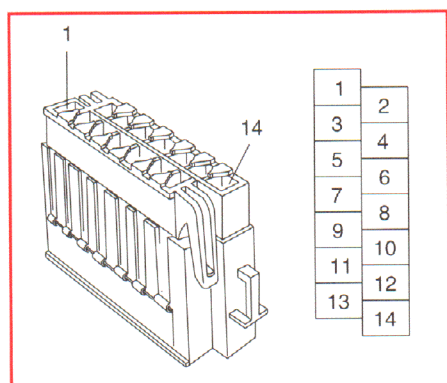
See Connectors 24/1 and 24/13 side 10.

Connector 24/14

See Connectors 24/3 and 24/14 side 14.

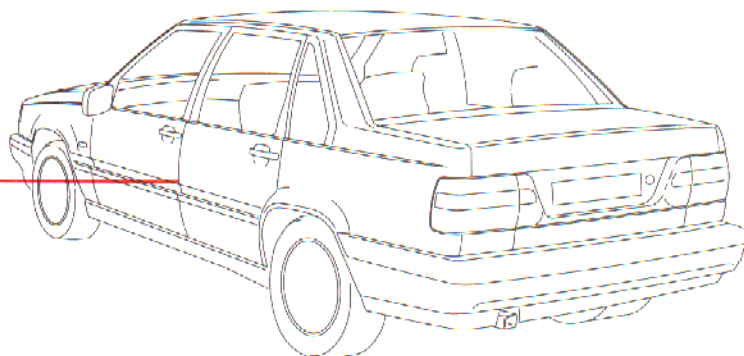
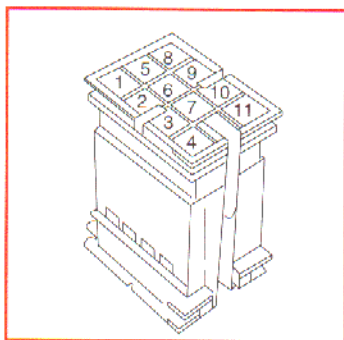
Connector 24/15, 14-pin

Engine compartment harness - engine harness



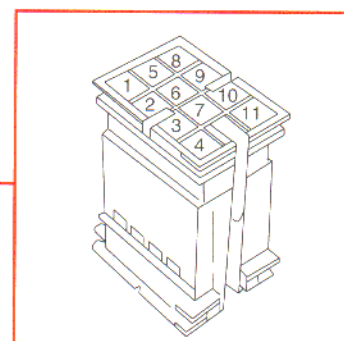
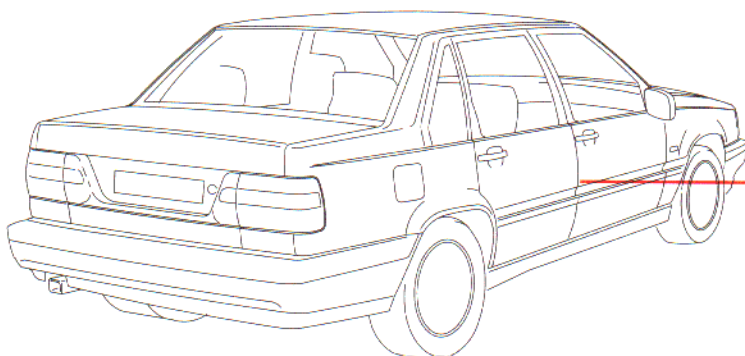
Pos	To / From	Color
1	Control module EZ 129 K, pos A:30, supply Control module LH 3.2, pos A:30 Control module, automatic transmission, pos A:30 Control module Fenix 5.2, pos A:12, supply Main relay, fuel system Control module, automatic transmission, pos A:30 Control module Motronic 4.3/4.4, pos A:12, supply Control module, automatic transmission, pos A:30	BL-R
2	Back-up (reversing) light switch, supply (man. transmission) Transmission range sensor, pos 9, supply (automatic transmission)	BL-GR
3	Generator D+	R-W
4	Oil pressure sensor	BN-SB
5	-	
6	-	
7	Back-up (reversing) light switch (man. transmission) Transmission range sensor, pos 5 (automatic transmission)	BL
8	Starter motor, pos 50 (man. transmission) Transmission range sensor, pos 6 (automatic transmission)	GN-R
9	Solenoid switch A/C Control module LH 3.2, pos A:25	GR
10	-	
11	-	
12	-	
13	-	
14	Turbo control valve	BL-BN (GN)

Connector 24/17, 11-pin Left door sill harness - left rear door harness



Pos	To / From	Color
1	Door loudspeaker	BN-W
2	Door loudspeaker	BN-SB
3	Cut-off, power window motors, rear	GR-R
4	Lock, supply, open-door warning lamp	R
5	Lock, ground point	SB
6	Lock	VO
7	Power window switch (from driver)	GN-GR
8	Lock	Y-BN
9	Lock	Y
10	Power window switch (from driver)	R-SB
11	Lock, "open door signal"	Y-W

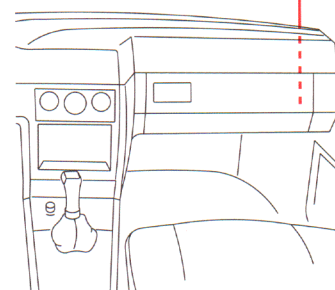
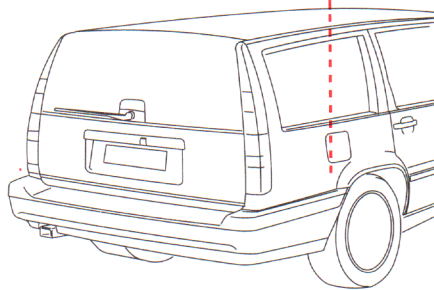
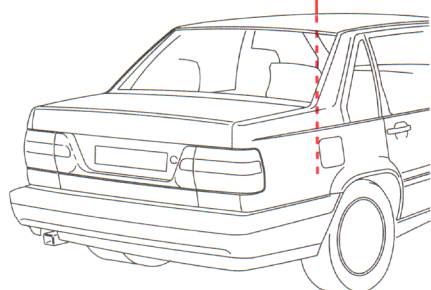
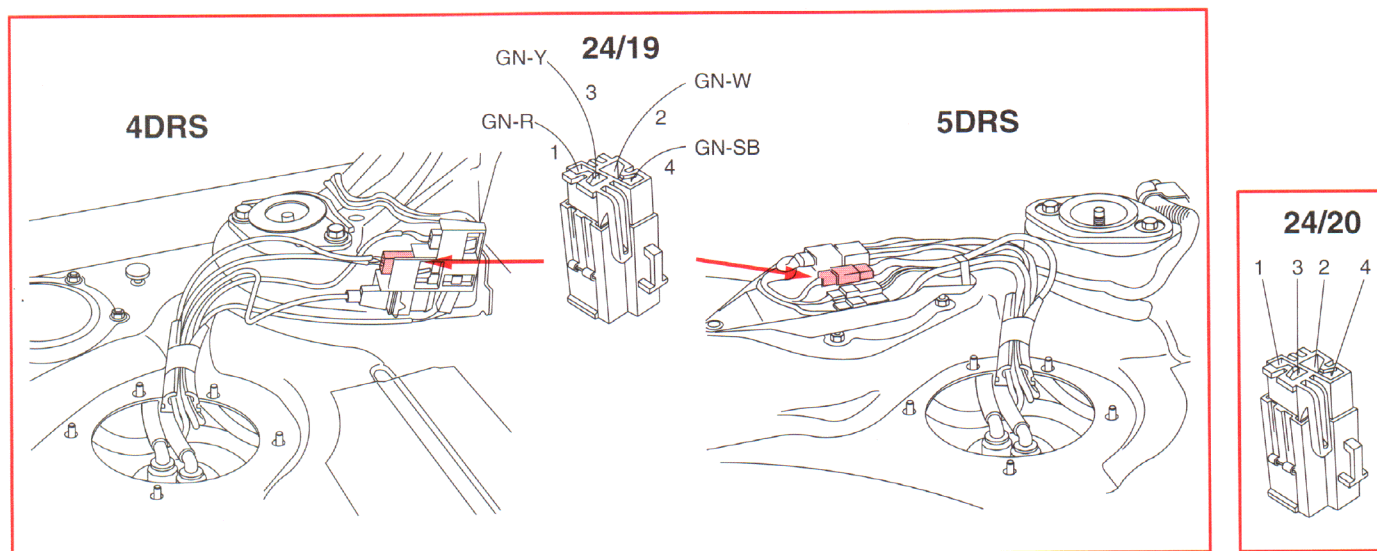
Connector 24/18, 11-pin Right door sill harness - right rear door harness



Pos	To / From	Color
1	Door loudspeaker	BN-W
2	Door loudspeaker	BN-SB
3	Cut-off, power window motor, rear	GR-R
4	Lock, supply, open-door warning lamp	R
5	Lock, ground point	SB
6	Lock	VO
7	Power window switch (from driver)	GN-GR
8	Lock	Y-BN
9	Lock	Y
10	Power window switch (from driver)	R-SB
11	Lock, "open door signal"	Y-W

Connector 24/19, 4-pin Right door sill harness - rear wheel sensor harness

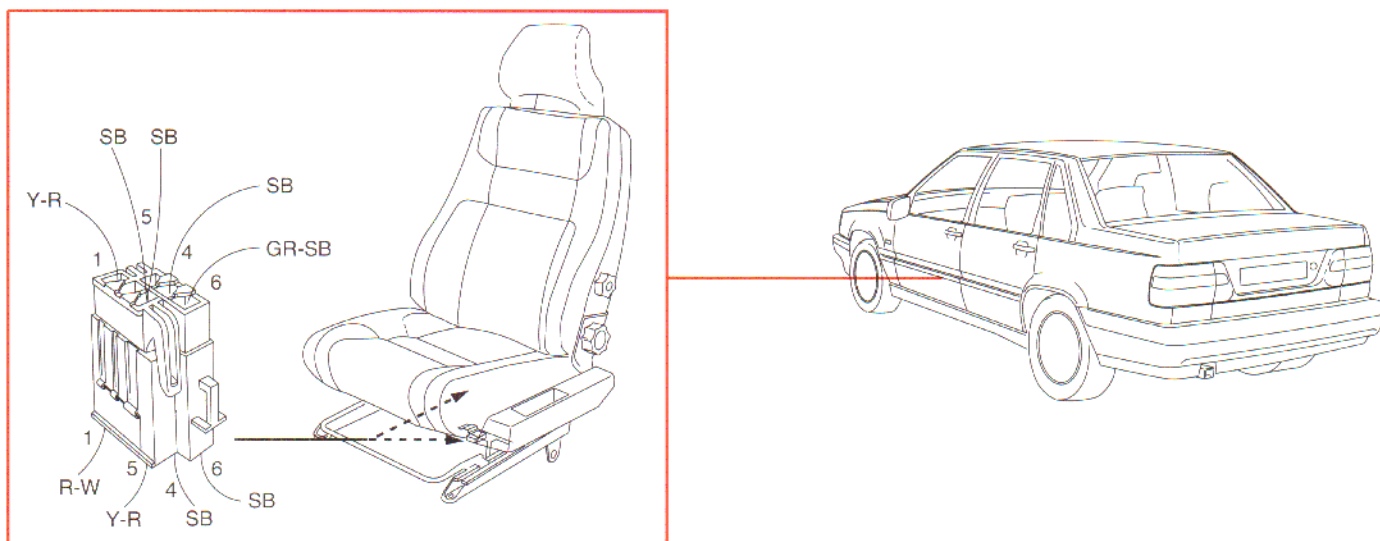
Pos	To / From	Color
1	ABS sensor, rear wheel, left	GN-R
2	ABS sensor, rear wheel, right	GN-W
3	ABS sensor, rear wheel, left	GN-Y
4	ABS sensor, rear wheel, right	GN-SB



Connector 24/20, 4-pin Firewall harness - power sunroof harness

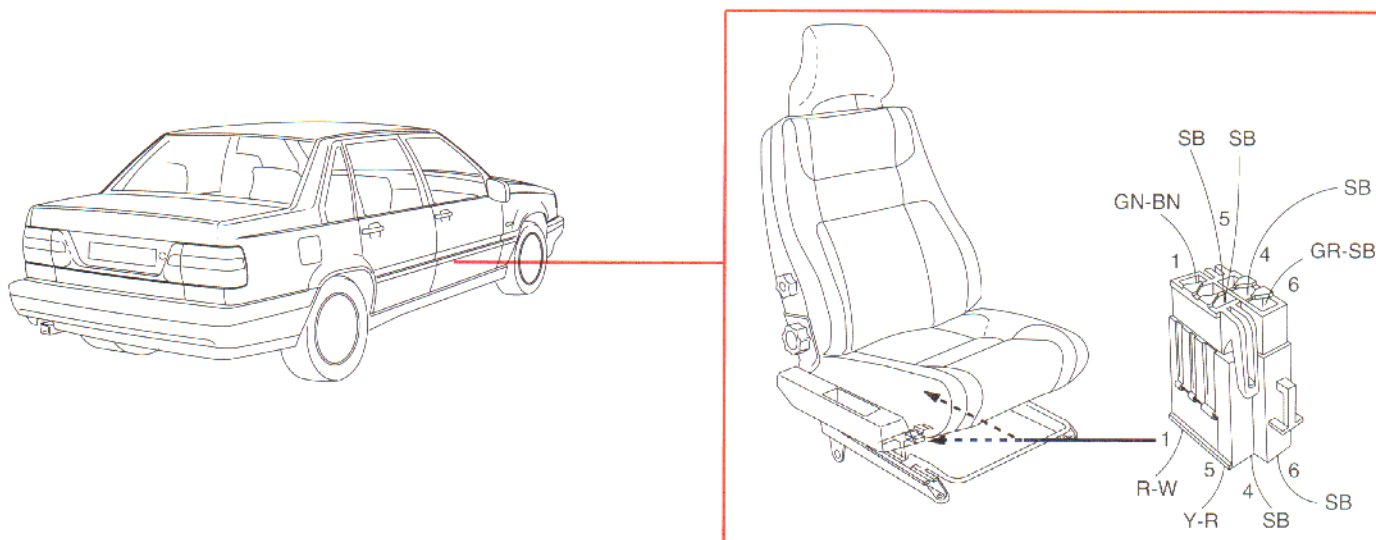
Pos	To / From	Color
1	Control module, power sunroof, supply	BL
2	Control module, power sunroof, signal forward	GN
3	Control module, power sunroof, signal rearward	W
4	Control module, power sunroof, ground point	SB

Connector 24/21, 6-pin Left door sill harness - left seat harness



Pos	To / From	Color
1	Heated seat	Y-R (R-W)
2	-	
3	-	
4	Seat belt lock, ground point **)	SB
5	Heated seat, ground point	SB (Y-R)
6	Seat belt lock *)	GR-SB (SB)

Connector 24/22, 6-pin Right door sill harness - right seat harness

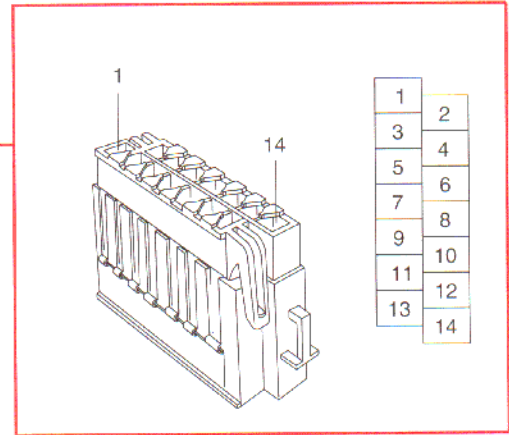
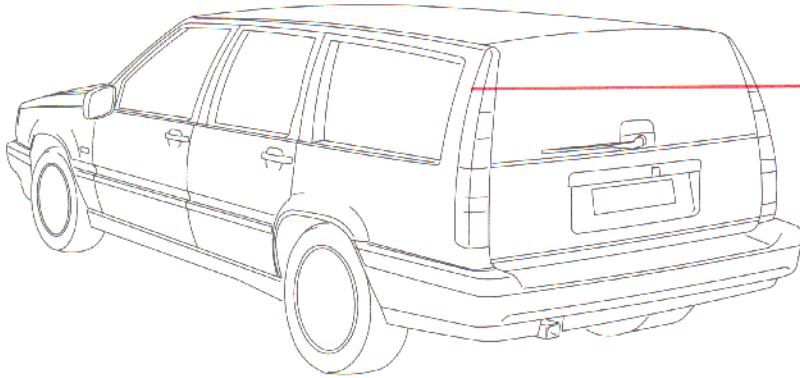


Pos	To / From	Color
1	Heated seat	GN-BN (R-W)
2	-	
3	-	
4	Seat belt lock, ground point *)	SB
5	Heated front seat, ground point	SB (Y-R)
6	Seat belt lock *)	GR-SB (SB)

*) Only right-hand drive cars

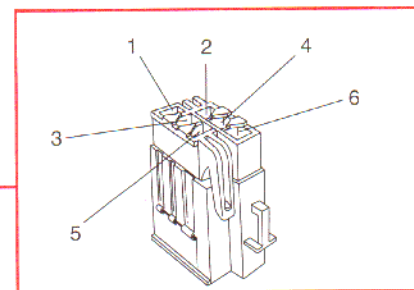
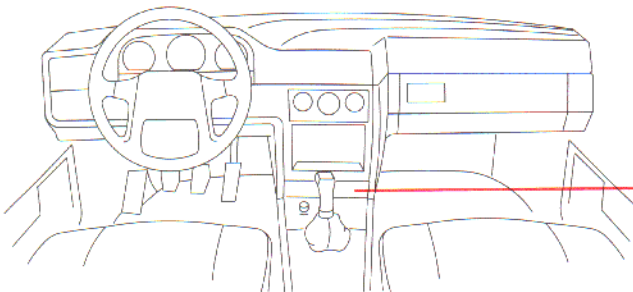
***) Only left-hand drive cars

Connector 24/25, 14-pin Left door sill harness - tailgate harness



Pos	To / From	Color
1	Heated rear window	Y-R
2	-	
3	Lock, trunk/tailgate	Y-BN
4	Lock, trunk/tailgate	Y
5	Lock, trunk/tailgate	Y-GR
6	Lock, trunk/tailgate	GN-BN
7	Rear window wiper motor, ground point	OR-SB
8	Rear window wiper motor, control signal	GN-OR
9	Rear window wiper motor, supply	Y-VO
10	Branching point 23/601, ground point	SB
11	License plate lighting	W
12	High-level stop (brake) light	GR-SB
13	Lock, trunk/tailgate, microswitch	BL-BN
14	Heated rear window, ground point	SB

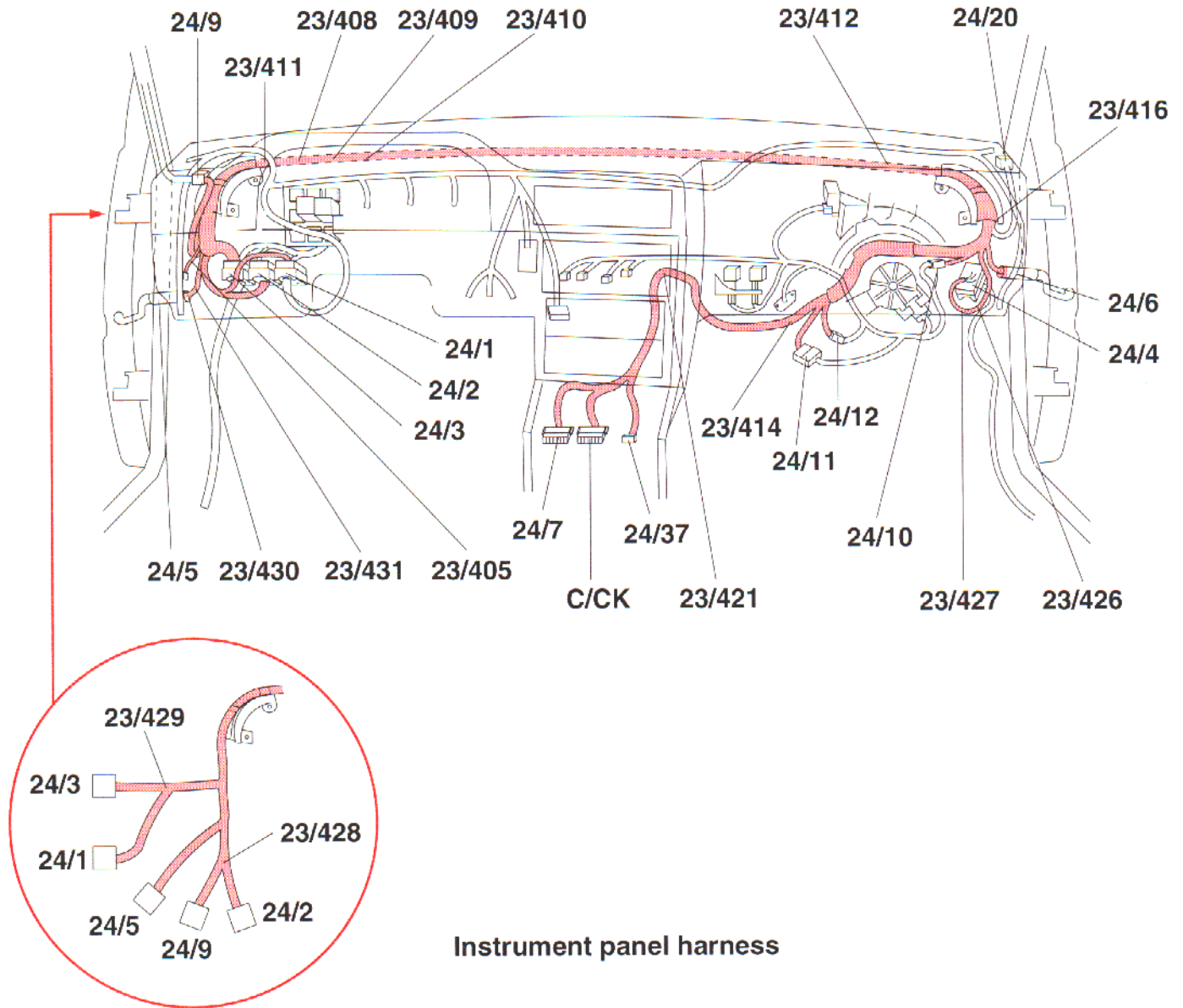
Connector 24/37, 6-pin Firewall harness - harness switch heated rear seat



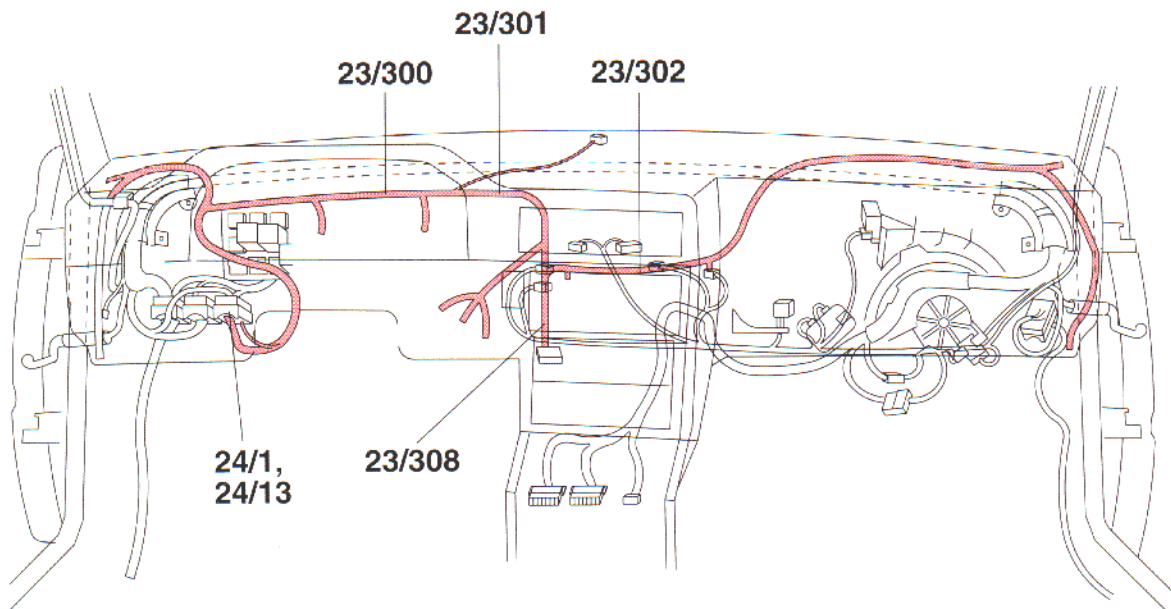
Pos	To / From	Color
1	Switch, heated rear seat, right side, pos 2 Switch, heated rear seat, left side, pos 2	P
2	Switch, heated rear seat, left side, pos 1	R-W
3	Switch, heated rear seat, right side, pos 1	BN-W
4	Switch, heated rear seat, left side, pos 6	VO-W
5	Switch, heated rear seat, right side, pos 6	BL-W
6	Switch, heated rear seat, right side, pos 5, ground point Switch, heated rear seat, left side, pos 5, ground point	SB

Routing of cable harnesses in the car

Firewall harness

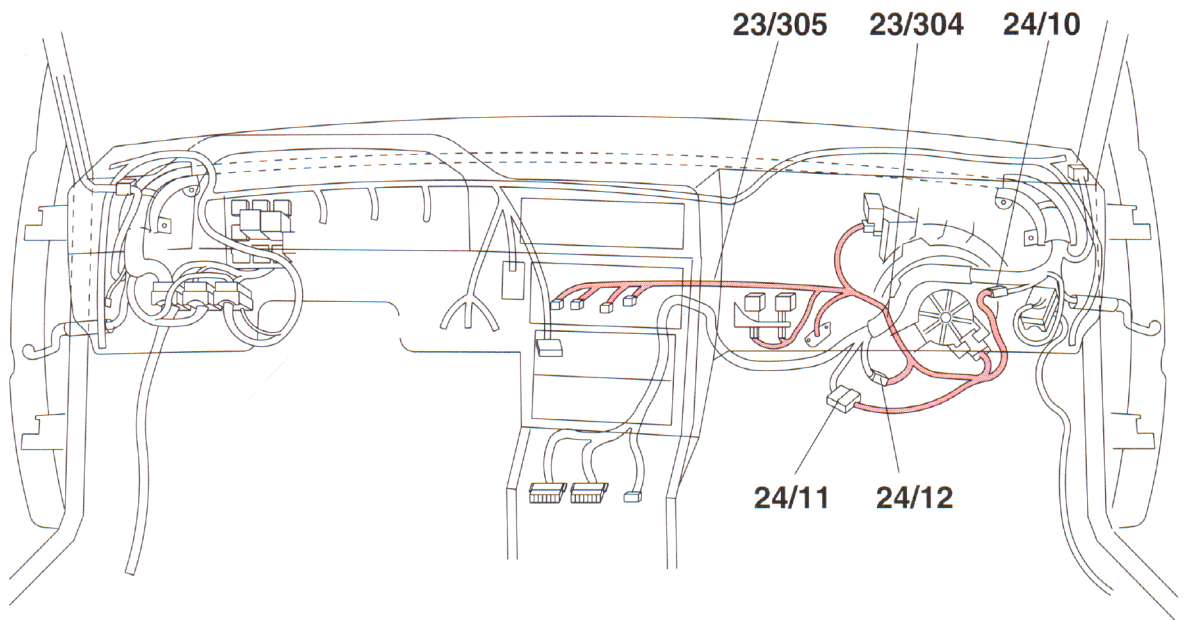


Instrument panel harness

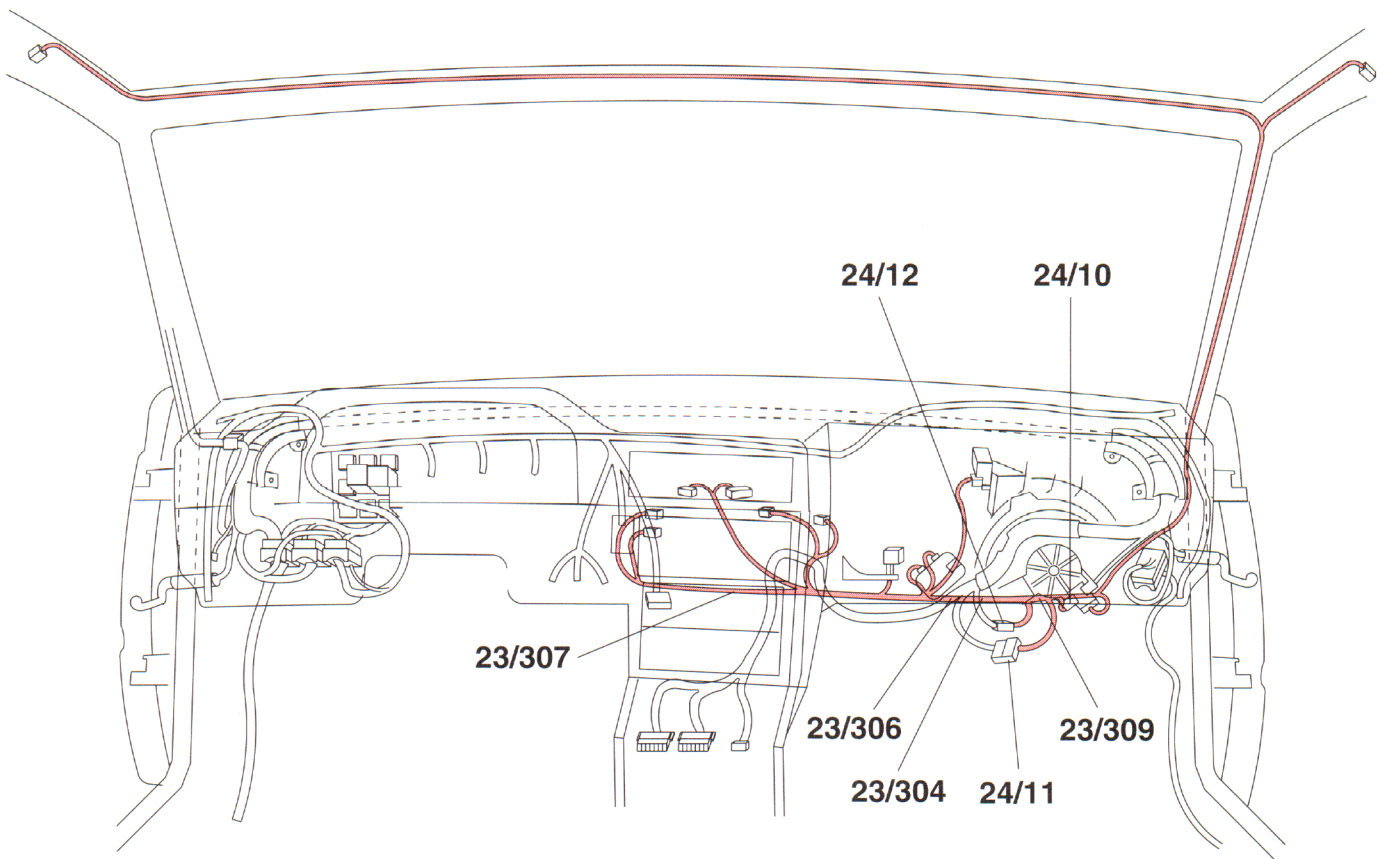


Routing of cable harnesses in the car

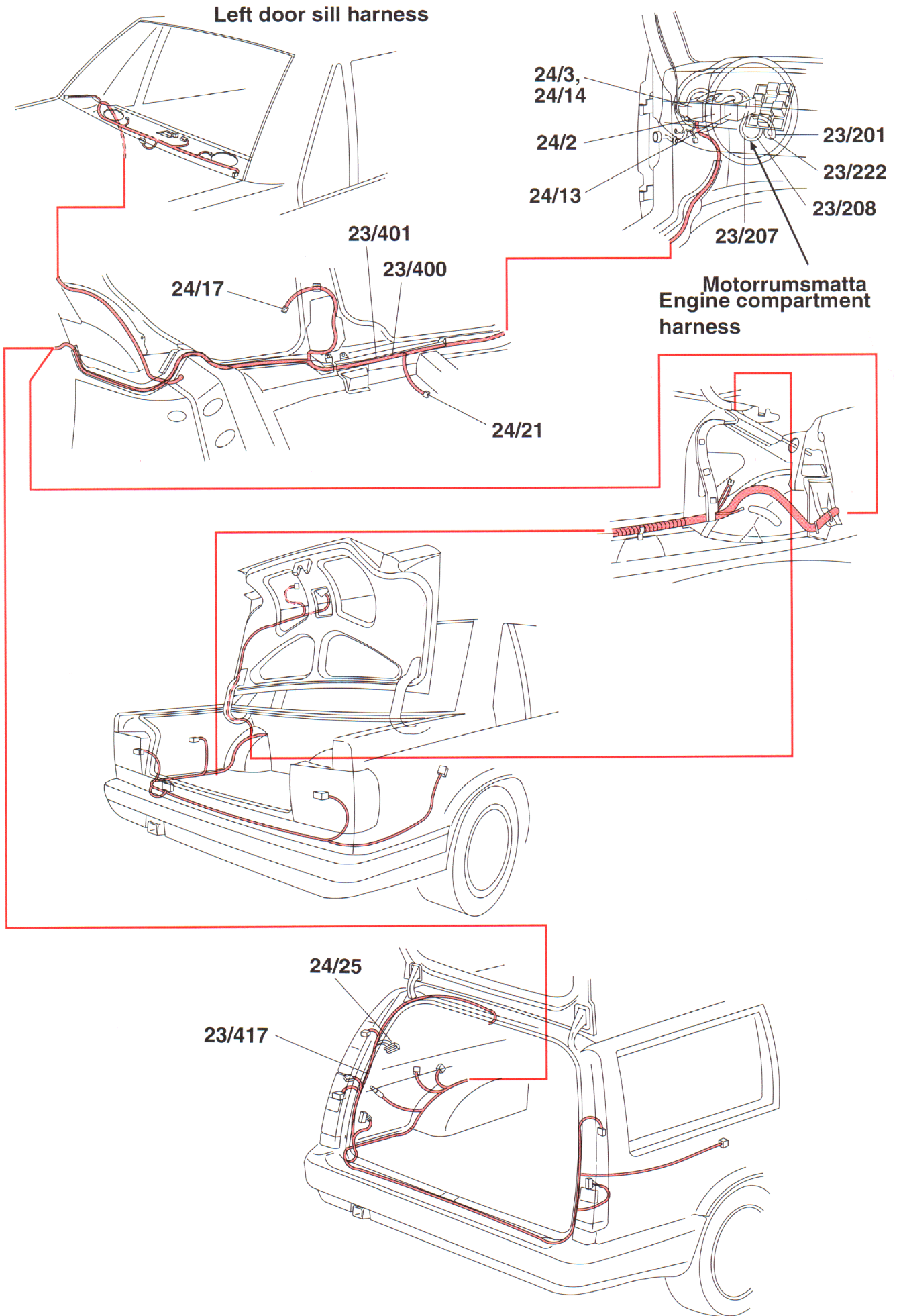
Blower fan harness/climate unit (Not ECC)



Blower fan harness/climate unit (ECC)

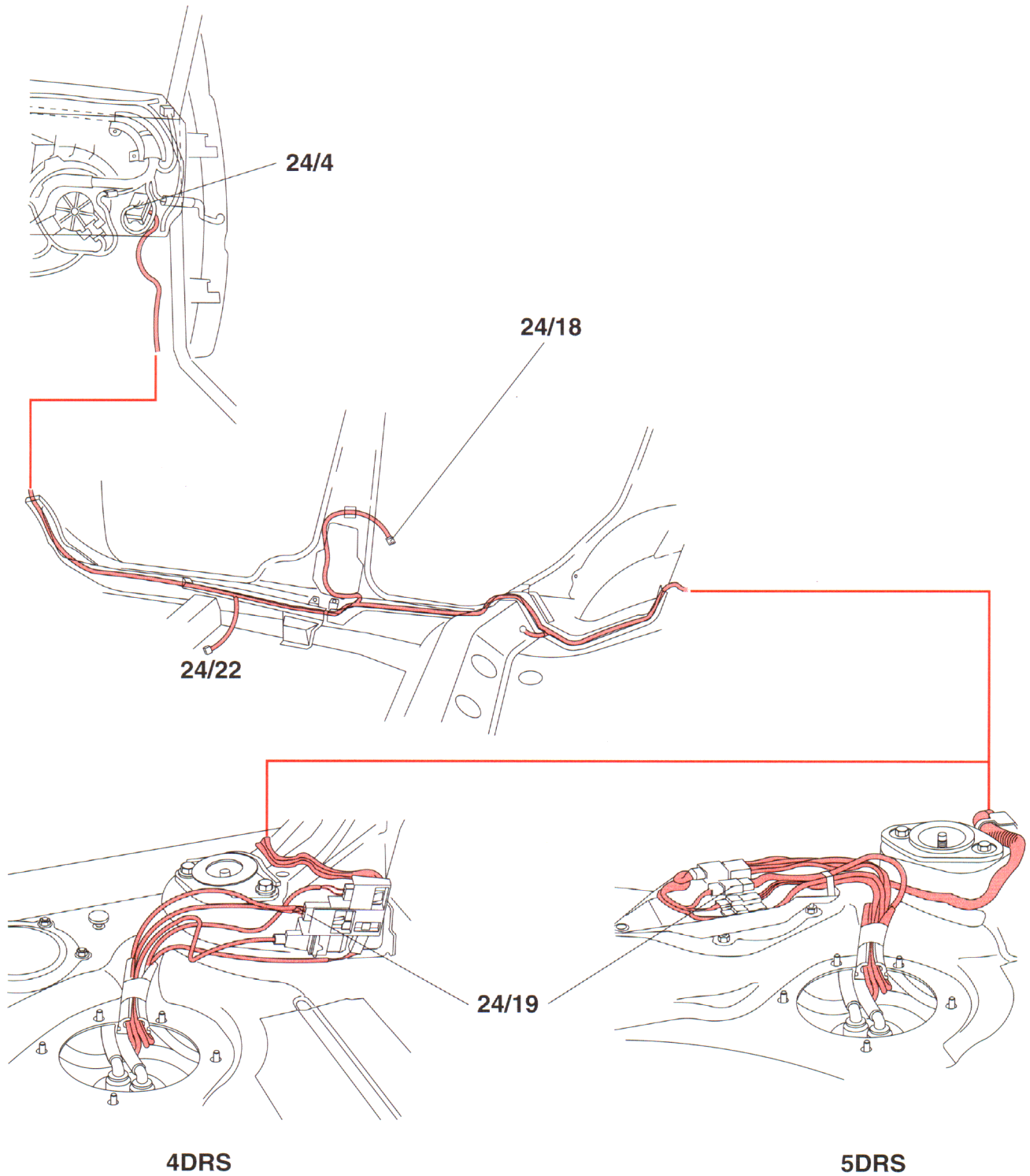


Routing of cable harnesses in the car



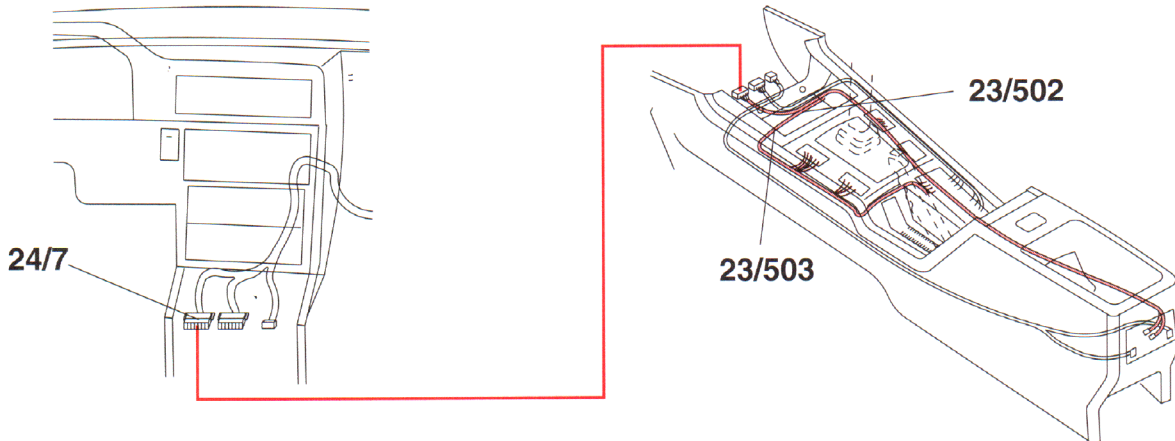
Routing of cable harnesses in the car

Right door sill harness

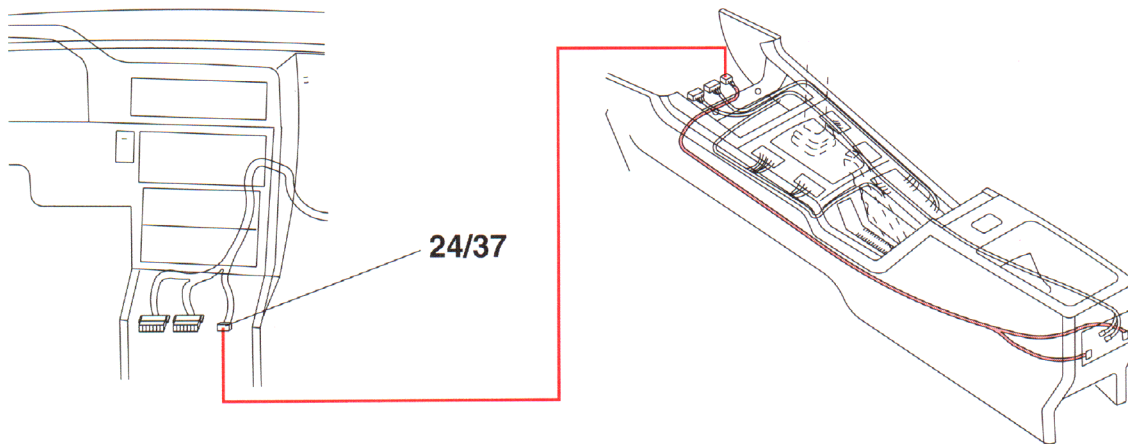


Routing of cable harnesses in the car

Tunnel harness

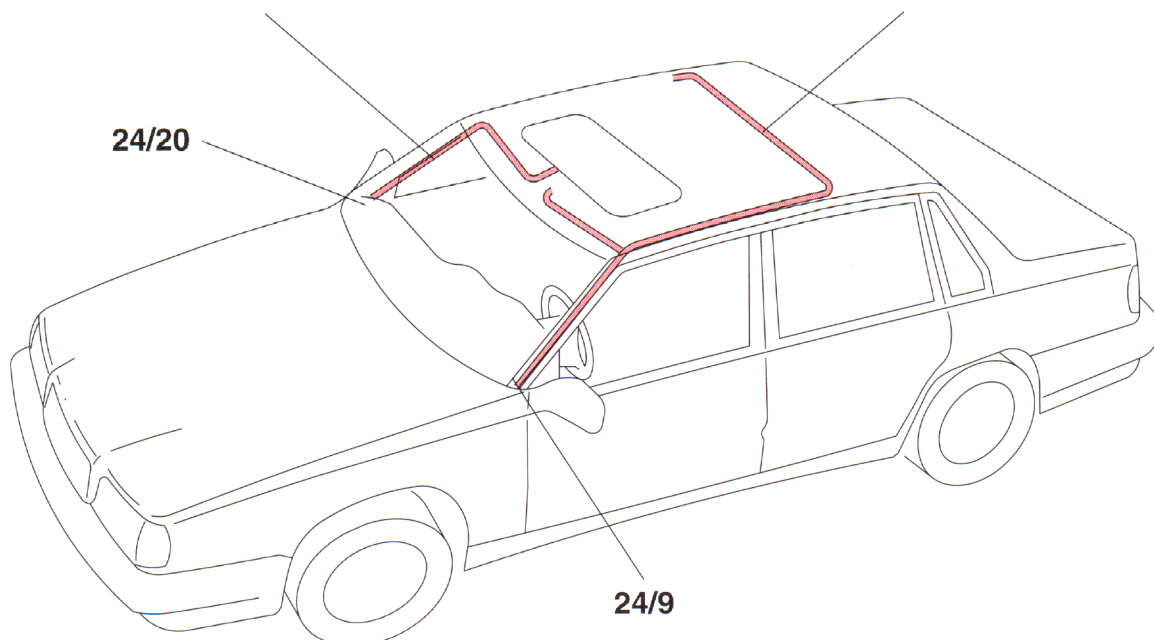


Harness heated rear seat switch

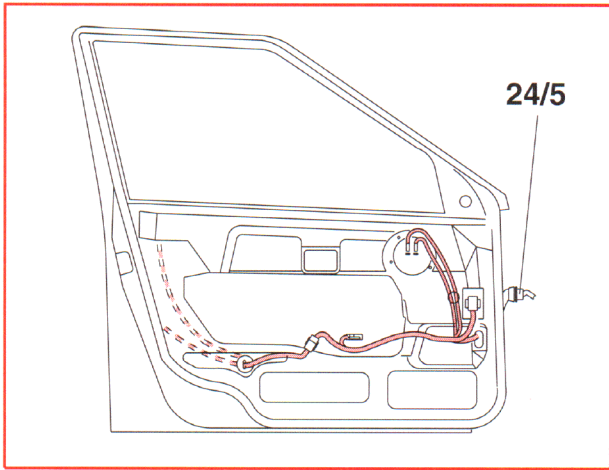


Power sunroof harness

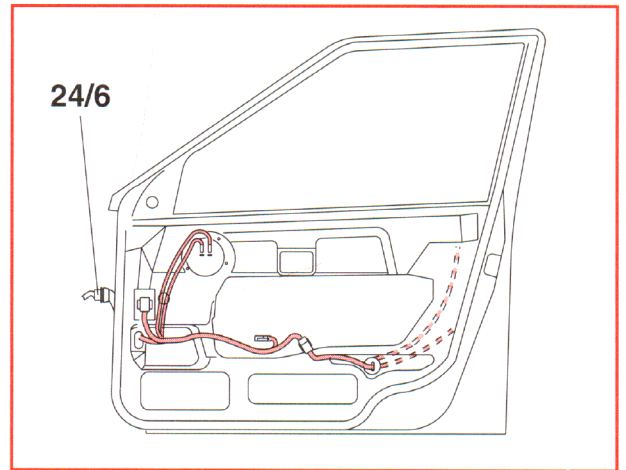
Power sunroof harness



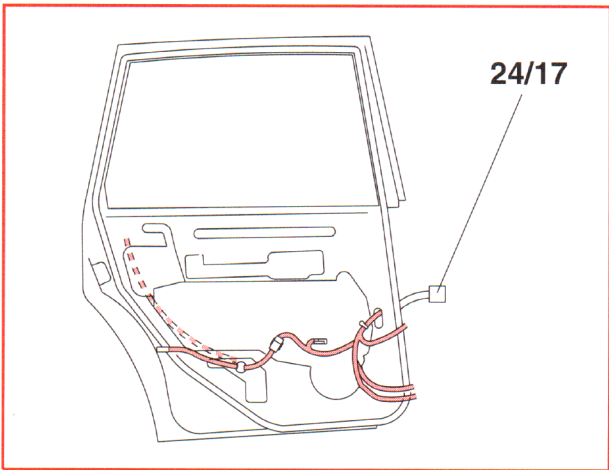
Routing of cable harnesses in the car



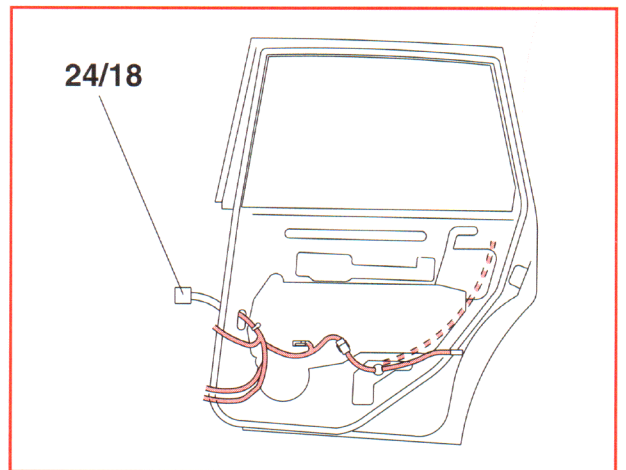
Left front door harness



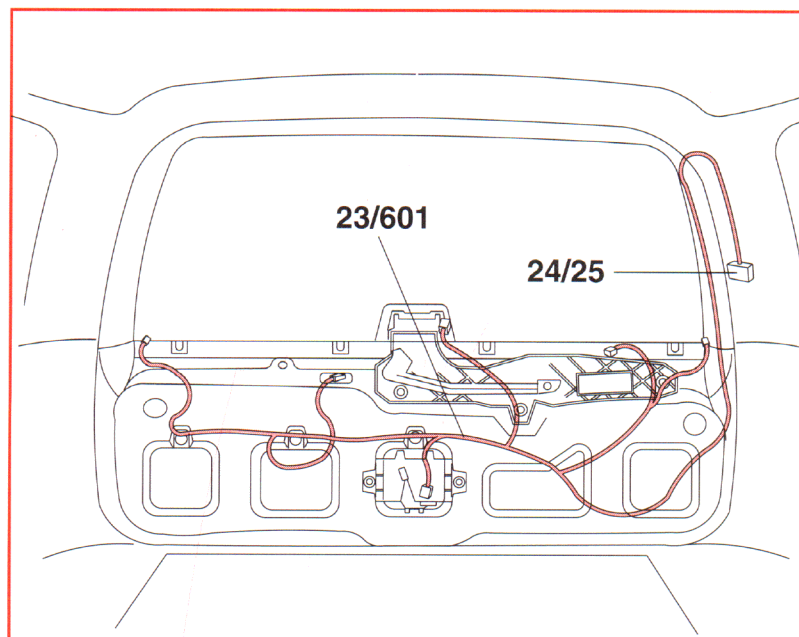
Right front door harness



Left rear door harness



Right rear door harness



Tailgate harness

23/9 (Engine harness, in the control module box)

To / From	Color	Remarks
4/46A:17 Engine control module	P-SB	
7/23:2 Knock sensor (KS), rear	P-SB	
7/24:2 Knock sensor (KS), front	P-SB	

23/10 (Engine harness, in the control module box. Only Fenix 5.2)

To / From	Color	Remarks
4/46A:15 Engine control module	VO	
7/54:2 Throttle position (TP) sensor	VO	
7/81:C Pressure sensor, intake manifold	VO	

23/11 (Engine harness)

To / From	Color	Remarks
4/45A:19 Control module, LH-Jetronic 3.2 MFI	GN	
4/46A:27 Engine control module	GN	
7/15:1 Heated oxygen sensor (HO2S), front	GN	
7/17:3 Mass air flow (MAF) sensor	GN	
7/47:1 PTC resistor, pre-heater	GN	Only B5204T, B5234T/T5
7/82:1 Heated oxygen sensor (HO2S), rear	GN	Only Motronic 4.3 on certain markets and Motronic 4.4
8/5:1/2 IAC idling valve	GN	
8/6:1-8/10:1 Injectors	GN	
23/6 Branching point	GN	

23/201 (Engine compartment harness, in-car)

To / From	Color	Remarks
3/9:2 Stop (brake) light switch	Y	
4/3:6S Control module, cruise control	Y	
4/16:12 ABS control module	Y	
4/28B:26 Control module, automatic transmission AW 50-42	Y	
7/1:12 Bulb failure warning sensor, rear (via connector 24/14D:3 Engine compartment harness - left door sill harness)	Y	Only left-hand drive
7/1:12 Bulb failure warning sensor, rear (via connector 24/2D:3 Engine compartment harness - firewall harness) and connector 24/3D:3 Firewall harness - left door sill harness)	Y	Only right-hand drive

23/203 (Engine compartment harness)

To / From	Color	Remarks
31/50 Ground point, power ground, central electrical unit	SB	
6/2:2 Washer motor, front	SB	
6/3:3 Right headlight washer motor	SB	
6/30:2 Tailgate washer motor	SB	
7/5:1 Washer fluid level sensor	SB	
7/73:2 Coolant level sensor	SB	
10/6:2 Right front fog light assy.	SB	
10/10:2 Right parking light and turn signal, front	SB	
10/16:2 Right side flasher light	SB	
16/19:2 Alarm horn	SB	Only right-hand drive
16/35:4 Alarm siren	SB	

Branching points

23/207 (Engine compartment harness, in-car)

To / From		Color	Remarks
2/28:3A	Alarm relay	GN	
3/3:3	Switch, turn signal/high and low beam	GN	
3/6:5	Switch, hazard lights with flasher relay	GN	
5/1B:7	Combined instrument panel (via connector 24/13D:16 Engine compartment harness - instrument panel harness)		
10/13:1	Left turn signal, front	GN	
10/15:1	Left side flasher light	GN	
10/54:2	Lamp, left turn signal, rear (via connector 24/14D:8 Engine compartment harness - left door sill harness)	GN	Left-hand drive 4-door only
10/54:2	Lamp, left turn signal, rear (via connector 24/2D:8 Engine compartment harness - firewall harness and connector 24/3D:8 Firewall harness - left door sill harness)	GN	Right-hand drive 4-door only
10/54:3B	Lamp, left turn signal, rear (via connector 24/14D:8 Engine compartment harness - left door sill harness)	GN	Left-hand drive 5-door only
10/54:3B	Lamp, left turn signal, rear (via connector 24/2D:8 Engine compartment harness - firewall harness and connector 24/3D:8 Firewall harness - left door sill harness)	GN	Right-hand drive 5-door only

23/208 (Engine compartment harness, in-car)

To / From		Color	Remarks
2/28:5A	Alarm relay	BL-GN	
3/3:7	Switch, turn signal/high and low beam	BL-GN	
3/6:4	Switch, hazard lights with flasher relay	BL-GN	
5/1A:1	Combined instrument panel (via connector 24/13D:15 Engine compartment harness - instrument panel harness)		
10/14:1	Right turn signal, front	BL-GN	Left-hand drive only
10/16:1	Right side flasher light	BL-GN	
10/47:3B	Lamp, right turn signal, rear (via connector 24/14D:9 Engine compartment harness - left door sill harness)	BL-GN	Left-hand drive 5-door only
10/47:3B	Lamp, right turn signal, rear (via connector 24/2D:9 Engine compartment harness - firewall harness and connector 24/3D:9 Firewall harness - left door sill harness)	BL-GN	Right-hand drive 5-door only
10/47:8	Lamp, right turn signal, rear (via connector 24/14D:9 Engine compartment harness - left door sill harness)	BL-GN	Left-hand drive 4-door only
10/47:8	Lamp, right turn signal, rear (via connector 24/2D:9 Engine compartment harness - firewall harness and connector 24/3D:9 Firewall harness - left door sill harness)	BL-GN	Right-hand drive 4-door only

23/221 (Engine compartment harness. Only Motronic 4.4 on certain markets)

To / From	Color	Remarks
4/46B:28 Engine control module	BN-P	
7/8:1 A/C pressure sensor	BN-P	
7/79:2 Accelerometer	BN-P	
7/84:2 Tank pressure sensor (via connector 24/2C:7 Engine compartment harness - firewall harness and connector 24/4E:6 Firewall harness - right door sill harness)	BN-P	

23/222 (Engine compartment harness, in-car. Only automatic transmission. Not USA/Canada)

To / From	Color	Remarks
23/421 Branching point (via connector 24/2C:18 Engine compartment harness - firewall harness)	W	
4/16:13 ABS control module	W	
4/22:3 Electronic immobilizer or 4/46B:36 Engine control module	W	
4/28B:22 Control module, AW 50-42 automatic transmission	W	

23/228 (Engine compartment harness, in the central electrical unit)

To / From	Color	Remarks
3/12:8 Switch, windshield wiper/wash	Y-W	
2/4:4 Windshield wiper intermittent relay	Y-W	
6/2:1 Washer motor, front	Y-W	
6/3:1 Right headlight wiper motor	Y-W	
6/4:1 Left headlight wiper motor	Y-W	

23/229 (Engine compartment harness, in the central electrical unit)

To / From	Color	Remarks
11/34:2 Fuse	Y-VO	
6/3:2 Right headlight wiper motor	Y	
6/4:2 Left headlight wiper motor	Y-VO	
16/10:2 Horn 1	Y-VO	
16/11:2 Horn 2	Y-VO	

23/233 (Engine compartment harness)

To / From	Color	Remarks
1/1:+ Battery	Y	
2/53:1A Relay, secondary air pump	BL-R	

Branching points

23/234 (Engine compartment harness, in the central electrical unit)

To / From	Color	Remarks
4/16:11 ABS control module	BN	
7/31:1 ABS sensor, front left	BN	

23/235 (Engine compartment harness, in the central electrical unit)

To / From	Color	Remarks
4/16:4 ABS control module	SB	
7/31:2 ABS sensor, front left	SB	

23/236 (Engine compartment harness, in the central electrical unit)

To / From	Color	Remarks
4/16:18 ABS control module	BN	
7/32:1 ABS sensor, front right	BN	

23/237 (Engine compartment harness, in the central electrical unit)

To / From	Color	Remarks
4/16:3 ABS control module	SB	
7/32:2 ABS sensor, front right	SB	

23/300 (Instrument panel harness)

To / From	Color	Remarks
4/4:4 Rheostat	P	
24/35:6 Connector 8-pin accessory (via connector 24/13B:10 Engine compartment harness - instrument panel harness)		
3/2:1 Light switch	P	
3/6:2 Switch, hazard lights with flasher relay	P	
3/7:2 Switch, front fog lights	P	
3/8:2 Switch, heated rear window/door mirrors	P	
3/25:2 Switch, power sunroof	P	
3/58:2 Switch, rear fog light	P	
3/59:2 Beam length control	P	
3/95:2 Switch, TRACS	P	
3/98:2 Switch, central locking	P	
5/1A:10 Combined instrument panel	P	
10/72:2 Ashtray lighting, front	P	
16/1:10A Radio	P	
23/414 Branching point (via connector 24/1E:10 Instrument panel harness - firewall harness)	P	

23/301 (Instrument panel harness)

	To / From	Color	Remarks
31/50	Ground point, power ground, central electrical unit (via connector 24/13A:4) Engine compartment harness - instrument panel harness)	SB	
3/2:10	Light switch	SB	
3/6:3	Switch, hazard lights with flasher relay	SB	
3/7:5	Switch, front fog lights	SB	
3/8:5	Switch, heated rear window/door mirrors	SB	
3/25:5	Switch, power sunroof	SB	
3/58:5	Switch, rear fog light	SB	
3/95:5	Switch, TRACS	SB	
3/98:4.5	Switch, central locking	SB	
4/4:2	Rheostat	SB	
4/19:1	Remote control module, central locking/anti-theft alarm	SB	
5/1A:17	Combined instrument panel	SB	
7/12:5	Solar sensor ECC/indication LED - anti-theft alarm	SB	Only ECC
10/29:2	Glove compartment lighting	SB	
10/72:1	Ashtray lighting, front	SB	
10/113:2	Alarm warning LED	SB	Not ECC
16/1:11A	Radio	SB	

23/302 (Instrument panel harness)

	To / From	Color	Remarks
15/2	30-rail in central electrical unit (via connector 24/13B:18) Engine compartment harness - instrument panel harness)	R	
4/19:5	Remote control module, central locking/anti-theft alarm	R	
10/29:1	Glove compartment lighting	R	
10/97:1	Entry lighting, driver's side	R	
10/102:1	Entry lighting, passenger side	R	

23/304 (Blower fan harness/climate unit)

	To / From	Color	Remarks
23/416	Branching point (via connector 24/10:2) Firewall harness - blower fan harness/climate unit)	SB	
2/24:4	Blower fan relay, max	SB	
3/54:4D	REC and A/C switch	SB	
3/55:1C	A/C panel lights	SB	
4/30A:6	Control module, ECC	SB	
4/31:2B	Power stage, blower fan	SB	
6/28:2	Blower fan	SB	Not ECC
6/48:4	Servo motor, recirculation shutter	SB	Not ECC
7/64:2	Driver side in-car temperature sensor	SB	
7/65:2	Passenger side in-car temperature sensor	SB	

Branching points

23/305 (Harness blower fan/climate unit. Not ECC)

To / From	Color	Remarks
11/31:2 Fuse (via connector 24/12:1 Firewall harness - harness blower fan/climate unit and connector 24/2A:4 Engine compartment harness - firewall harness)	Y-VO	
3/54:1D REC and A/C switch	Y-VO	
3/56:4A Blower fan switch	Y-VO	
6/48:1 Servo motor recirculation shutter	Y-VO	

23/306 (Blower fan harness/climate unit)

To / From	Color	Remarks
4/30A:9 Control module, ECC	BN	
4:30A:10 Control module, ECC	BN	
6/45:1 Servo motor, temperature shutter, driver side	BN	
6/46:1 Servo motor, temperature shutter, passenger side	BN	
6/47:1 Servo motor, floor and defroster shutters	BN	
6/48:1 Servo motor, recirculation shutter	BN	
6/49:1 Servo motor, ventilation shutter	BN	
7/11:4 Outside temperature sensor, ECC	BN	
7/64:3 In-car temperature sensor, driver side	BN	
7/65:3 In-car temperature sensor, passenger side	BN	

23/307 (Blower fan harness/climate unit)

To / From	Color	Remarks
4/30A:8 Control module, ECC	VO	
6/45:2 Servo motor, temperature shutter, driver side	P-W	
6/46:2 Servo motor, temperature shutter, passenger side	P-W	
6/47:2 Servo motor, floor and defroster shutters	P-W	
6/48:2 Servo motor, recirculation shutter	P-W	
6/49:2 Servo motor, ventilation shutter	P-W	

23/308 (Instrument panel harness)

To / From	Color	Remarks
4/30C:10 Control module, ECC	BN	
7/59:4 Left side duct temperature sensor	BN	
7/60:4 Right side duct temperature sensor	BN	
7/68:4 Solar sensor ECC/indication LED - anti-theft alarm	BN	

23/309 (Blower fan harness/climate unit. Only ECC)

To / From	Color	Remarks
11/5:2, 3 Fuse (via connector 24/10:1 Firewall harness - blower fan harness/climate unit and connector 24/2A:5, 6 Engine compartment harness - firewall harness)	R	
4/31:4A Power stage, blower fan	R	
6/28:1 Blower fan	R	

23/400 (Left door sill harness)

To / From		Color	Remarks
23/408	Branching point (via connector 24/3B:2 Firewall harness - left door sill harness) Lock module, rear left	Y-BN	
3/76:3	Lock module, rear left (via connector 24/17:8 Left door sill harness - left rear door harness)	Y-BN	
3/78:6	Lock module, trunk/tailgate	Y-BN	4-door only
3/78:6	Lock module, trunk/tailgate (via connector 24/25:3 Left door sill harness - tailgate harness)	Y-BN	5-door only
6/37:1	Central locking motor, tank cap	Y-BN	

23/401 (Left door sill harness)

To / From		Color	Remarks
23/409	Branching point (via connector 24/3B:3 Firewall harness - left door sill harness) Lock module, rear left	Y	
3/76:4	Lock module, rear left (via connector 24/17:9 Left door sill harness - left rear door harness)	Y	
3/78:7	Lock module, trunk/tailgate	Y	4-door only
3/78:7	Lock module, trunk/tailgate (via connector 24/25:4 Left door sill harness - tailgate harness)	Y	5-door only
6/37:2	Central locking motor, tank cap	Y	

23/405 (Firewall harness)

To / From		Color	Remarks
31/7	Ground point A-pillar driver side	SB	
3/74:14	Lock module, front left (via connector 24/5:6 Firewall harness - left front door harness)	SB	Left-hand drive only
3/75:14	Lock module, front right (via connector 24/6:6 Firewall harness - right front door harness)	SB	Right-hand drive only
4/33:4	Control module, power sunroof (via connector 24/20:4 Firewall harness - power sunroof harness)	SB	Right-hand drive only
10/22:6 10/26:2A 10/27:2A	Courtesy light Reading light, rear left Reading light, rear right (via connector 24/9:4 Firewall harness - roof harness)	SB	Left-hand drive only
10/114:2	Vanity mirror lighting, left side	SB	Left-hand drive only
10/115:2	Vanity mirror lighting, right side	SB	Right-hand drive only

Branching points

23/408 (Firewall harness)

	To / From	Color	Remarks
2/7:5A	Central locking/delayed inner lighting relay (via connector 24/2A:7 Engine compartment harness - firewall harness)	Y-BN	
3/74:10	Lock module, front left (via connector 24/5:14 Firewall harness - left front door harness)	Y-BN	
3/75:10	Lock module, front right (via connector 24/6:14 Firewall harness - right front door harness)	Y-BN	
3/77:3	Lock module, rear right (via connector 24/4A:10 Firewall harness - right door sill harness and connector 24/18:8 Right door sill harness - right rear door harness)	Y-BN	
23/400	Branching point (via connector 24/3B:2 Firewall harness - left door sill harness)	Y-BN	

23/409 (Firewall harness)

	To / From	Color	Remarks
2/7:3A	Central locking/delayed inner lighting relay (via connector 24/2A:8 Engine compartment harness - firewall harness)	Y	
3/74:12	Lock module, front left (via connector 24/5:15 Firewall harness - left front door harness)	Y	
3/75:12	Lock module, front right (via connector 24/6:15 Firewall harness - right front door harness)t	Y	
3/77:4	Lock module, rear right (via connector 24/4A:11 Firewall harness - right door sill harness and connector 24/18:9 Right door sill harness - right rear door harness)	Y	
23/401	Branching point (via connector 24/3B:3 Firewall harness - left door sill harness)	Y	

23/410 (Firewall harness)

	To / From	Color	Remarks
27:2B	Central locking/delayed inner lighting relay (via connector 24/2B:2 Engine compartment harness - firewall harness)	Y-W	
3/74:6	Lock module, front left (via connector 24/5:2 Firewall harness - left front door harness)	Y-W	
3/75:6	Lock module, front right (via connector 24/6:2 Firewall harness - right front door harness)	Y-W	
3/76:2 10/32:2	Lock module, rear left Open-door warning lamp, rear left (via connector 24/3B:6 Firewall harness - left door sill harness and connector 24/17:11 Left door sill harness - left rear door harness)	Y-W	
3/77:2 10/33:2	Lock module, rear right Open-door warning lamp, rear right (via connector 24/4B:7 Firewall harness - right door sill harness and connector 24/18:11 Right door sill harness - right rear door harness)	Y-W	

23/411 (Firewall harness)

	To / From	Color	Remarks
15/2	30-rail in central electrical unit (via connector 24/2B:4 Engine compartment harness - firewall harness)	R	
10/22:1	Courtesy light (via connector 24/9:1 Firewall harness - roof harness)	R	
7/100:2 10/24:1 10/32:1	Tilt sensor Trunk lighting Open-door warning lamp, rear left (via connector 24/3B:7 Firewall harness - left door sill harness and connector 24/17:4 Left door sill harness - left rear door harness)	R	
10/30:2	Open-door warning lamp, front left (via connector 24/5:1 Firewall harness - left front door harness)	R	
10/31:2	Open-door warning lamp, front right (via connector 24/6:1 Firewall harness - right front door harness)	R	
10/33:1	Open-door warning lamp, rear right (via connector 24/4B:6 Firewall harness - right door sill harness and connector 24/18:4 Right door sill harness - right rear door harness)	R	
10/114:1	Vanity mirror lighting, left side	R	
10/115:1	Vanity mirror lighting, right side	R	
17/13:16	On-board diagnostics socket	R	

Branching points

23/412 (Firewall harness)

To / From		Color	Remarks
11/37:2	Fuse 37 (via connector 24/2A:2) Engine compartment harness - firewall harness)	BL	
3/97:10	Switch, auto-down relay, power windows	BL	
4/33:1	Control module, power sunroof (via connector 24/20:1) Firewall harness - power sunroof harness)	BL	

23/414 (Firewall harness)

To / From		Color	Remarks
23/300	Branching point (via connector 24/1E:10) Instrument panel harness - firewall harness)	P	
3/55:2C	A/C panel lights (via connector 24/12:2) Firewall harness - blower fan harness / climate unit)	P	
3/64:2 3/69:2	Switch, heated rear seat, left side Switch, heated rear seat, right side (via connector 24/37:1) Firewall harness - heated rear seat switch harness)	P	
3/91:2 3/92:2 10/38:2	Switch, heated front seat, left Switch, heated front seat, right Ashtray lighting, rear (via connector 24/7:6) Firewall harness - tunnel harness)	P	
4/30A:3	Control module, ECC (via connector 24/12:2) Firewall harness - blower fan harness / climate unit)	P	
10/37:2	Cigar lighter lighting	P	
10/40:1	Gear selector lighting	P	

23/416 (Firewall harness)

To / From		Color	Remarks
31/15	Ground point A-pillar passenger side	SB	
3/64:5	Switch, heated rear seat, left side	SB	
3/69:5	Switch, heated rear seat, right side (via connector 24/37:6 Firewall harness - heated rear seat switch harness)		
3/74:14	Lock module, front left (via connector 24/5:6 Firewall harness - left front door harness)	SB	Only right-hand drive
3/75:14	Lock module, front right (via connector 24/6:6 Firewall harness - right front door harness)	SB	Only left-hand drive
3/97:11	Switch, auto-down relay, power windows	SB	
4/30A:28	Control module, ECC (via connector 24/11:10 Firewall harness - climate unit harness)	SB	Only right-hand drive
4/33:4	Control module, power sunroof (via connector 24/20:4 Firewall harness - power sunroof harness)	SB	Only left-hand drive
8/36:2	Solenoid, P-shift lock	SB	
9/1:2	Cigar lighter	SB	
10/22:6	Courtesy light	SB	Only right-hand drive
10/26:2A	Reading light, rear left		
10/27:2A	Reading light, rear right (via connector 24/9:4 Firewall harness - roof harness)		
10/37:1	Cigar lighter lighting	SB	
10/40:2	Gear selector lighting	SB	
10/114:2	Vanity mirror lighting, left side	SB	Only right-hand drive
10/115:2	Vanity mirror lighting, right side	SB	Only left-hand drive
17/13:4	On-board diagnostics socket	SB	
23/304	Branching point (via connector 24/10:2 Firewall harness - blower fan harness / climate unit)	SB	
23/502	Branching point (via connector 24/7:14 Firewall harness - tunnel harness)	SB	

Branching points

23/417 (Left door sill harness. Only 5-door)

To / From	Color	Remarks
31/11 Ground point, trunk, left side	SB	
7/100:1 Tilt sensor	SB	
9/2 Heated rear window	SB	
10/18:1A Left tail light	SB	
10/18:1B Left tail light	SB	
16/15:2 CD changer	SB	
16/16:4 Antenna amplifier	SB	
23/601 Branching point (via connector 24/25:10 Left door sill harness - tailgate harness)	SB	

23/421 (Firewall harness)

To / From	Color	Remarks
17/13:7 On-board diagnostics socket	W	
4/9:9 SRS sensor unit	BN-SB	
USA/Canada:		
4/16:13 ABS control module	W	
4/28B:22 Control module, AW 50-42 automatic transmission		
4/46B:36 Engine control module (via connector 24/2C:18 Engine compartment harness - firewall harness)		
Automatic transmission. Not USA/Canada:		
23/222 Branching point (via connector 24/2C:18 Engine compartment harness - firewall harness)	W	
Manual transmission. Not USA/Canada:		
4/16:13 ABS control module	W	
4/22:3 Electronic immobilizer or		
4/46B:36 Engine control module (via connector 24/2C:18 Engine compartment harness - firewall harness)		
4/29A:4 Control module, left front seat (via connector 24/3A:2 Firewall harness - left door sill harness)	W	
4/37A:4 Control module, right front seat (via connector 24/4B:9 Firewall harness - right door sill harness)	BN-OR	
5/1B:4 Combined instrument panel (via connector 24/1E:12 Instrument panel harness - firewall harness)	W	

23/426 (Firewall harness)

To / From		Color	Remarks
16/1:6B 16/2:9 (:6)	Radio or Amplifier	P-W	
16/5:1	Loudspeaker, right rear door (via connector 24/4B:4 Firewall harness - right door sill harness and connector 24/18:1 Right door sill harness - right rear door harness)	P-W	
16/18:1	Loudspeaker, rear shelf/D-pillar right side (via connector 24/3B:11 Firewall harness - left door sill harness)	P-W	

23/427 (Firewall harness)

To / From		Color	Remarks
16/1:5B 16/2:13 (:5)	Radio or Amplifier	P-SB	
16/5:2	Loudspeaker, right rear door (via connector 24/4B:5 Firewall harness - right door sill harness and connector 24/18:2 Right door sill harness - right rear door harness)	P-SB	
16/18:2	Loudspeaker, rear shelf/D-pillar right side (via connector 24/3B:12 Firewall harness - left door sill harness)	P-SB	

23/428 (Firewall harness)

To / From		Color	Remarks
2/44:4 3/8:6	Relay, heated rear window/door mirrors (via connector 24/2C:10 Engine compartment harness - firewall harness) Switch, heated rear window/door mirrors (via connector 24/2C:10 Engine compartment harness - firewall harness and connector 24/13A:11 Engine compartment harness - instrument panel harness)	Y-R	
6/62:5	Left power door mirror (via connector 24/5:18 Firewall harness - left front door harness)	Y-R	
6/63:5	Right power door mirror (via connector 24/6:18 Firewall harness - right front door harness)	Y-R	

Branching points

23/429 (Firewall harness)

	To / From	Color	Remarks
2/7:9A	Central locking/delayed inner lighting relay (via connector 24/2B:10 Engine compartment harness - firewall harness)	Y-GR	
3/74:13	Lock module, front left (via connector 24/5:17 Firewall harness - left front door harness)	Y-GR	
3/75:13	Lock module, front right (via connector 24/6:17 Firewall harness - right front door harness)	Y-GR	
3/78:4	Lock module, trunk/tailgate (via connector 24/3A:9 Firewall harness - left door sill harness)	Y-GR	Only 4-door
3/78:4	Lock module, trunk/tailgate (via connector 24/3A:9 Firewall harness - left door sill harness and connector 24/25:5 Left door sill harness - tailgate harness)	Y-GR	Only 5-door

23/430 (Firewall harness)

	To / From	Color	Remarks
2/7:6B	Central locking/delayed inner lighting relay (via connector 24/2B:8 Engine compartment harness - firewall harness)	BL-BN	
3/74:7	Lock module, front left (via connector 24/5:11 Firewall harness - left front door harness)	BL-BN	
3/75:7	Lock module, front right (via connector 24/6:11 Firewall harness - right front door harness)	BL-BN	

23/431 (Firewall harness)

	To / From	Color	Remarks
2/47:1 2/105:1	Relay, deadlock setting or Driver door, 2-stage central locking relay (via connector 24/2B:9 Engine compartment harness - firewall harness)	VO	
3/74:8	Lock module, front left (via connector 24/5:4 Firewall harness - left front door harness)	VO	
3/76:6	Lock module, rear left (via connector 24/3B:4 Firewall harness - left door sill harness and connector 24/17:6 Left door sill harness - left rear door harness)	VO	

23/502 (Tunnel harness)

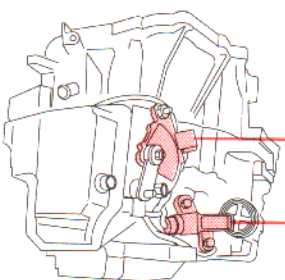
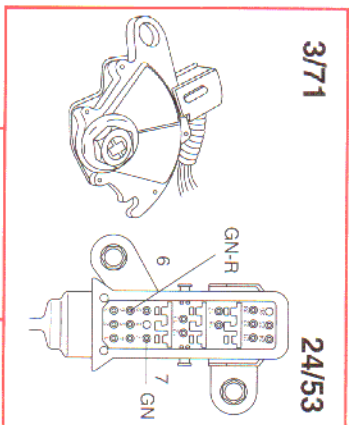
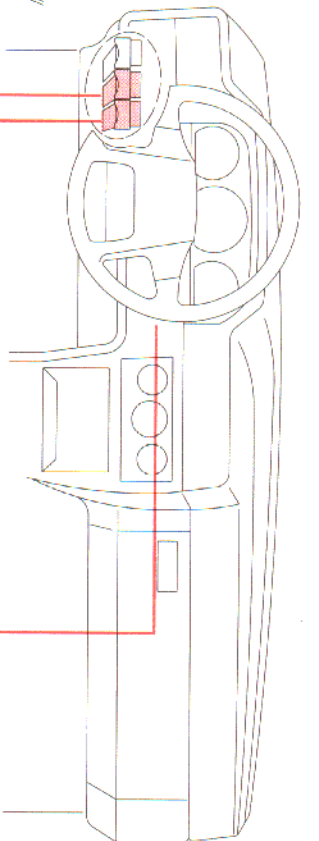
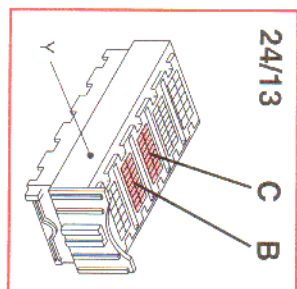
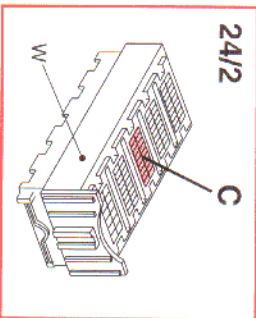
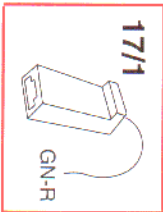
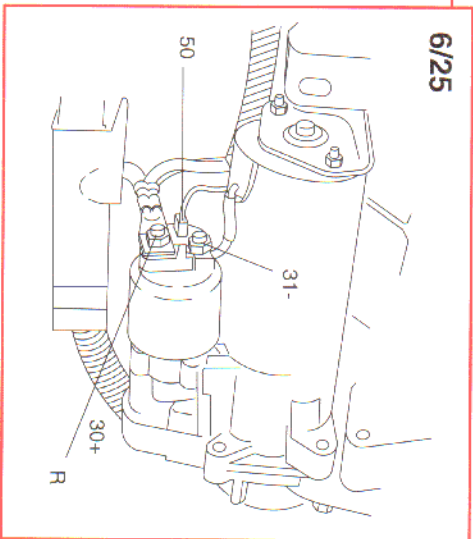
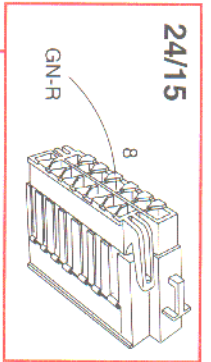
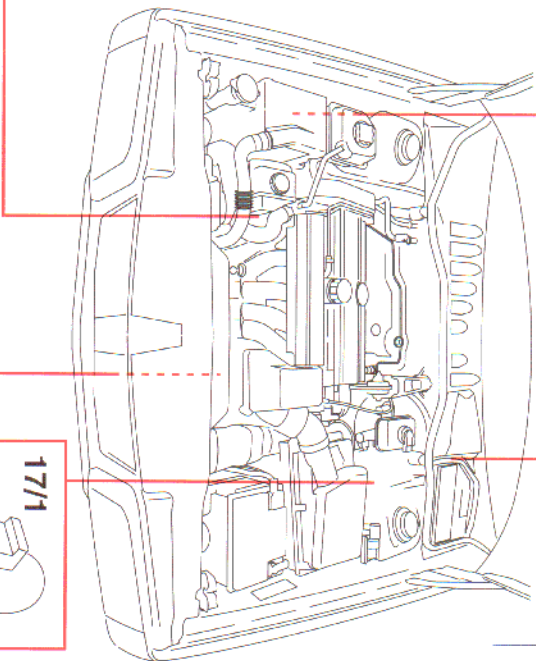
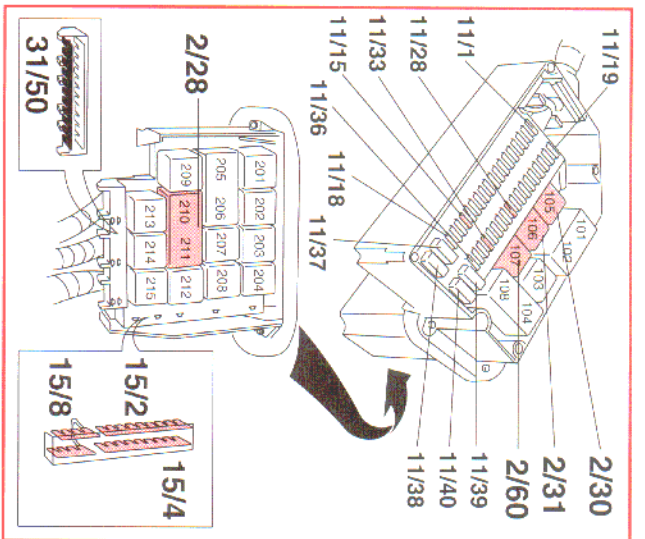
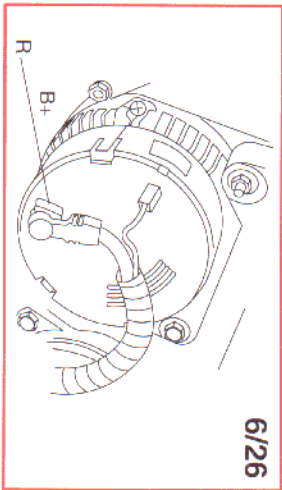
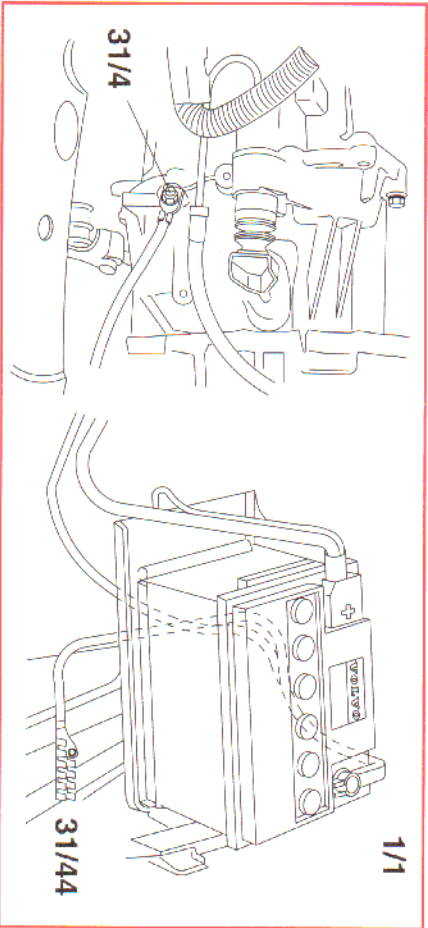
To / From		Color	Remarks
23/416	Branching point (via connector 24/7:14 Firewall harness - tunnel harness)	SB	
3/63:5	Program selector, automatic transmission	SB	
3/87:4	Switch, left power door mirror	SB	
3/88:4	Switch, right power door mirror	SB	
3/91:5	Switch, heated front seat, left	SB	
3/92:5	Switch, heated front seat, right	SB	
10/38:1	Ashtray lighting, rear	SB	

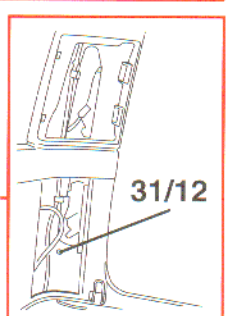
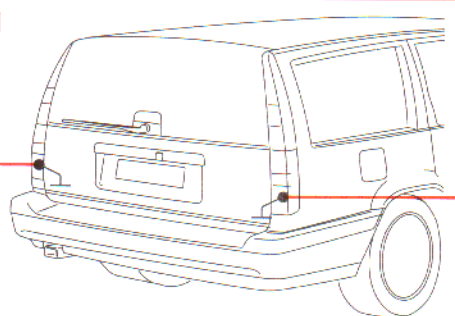
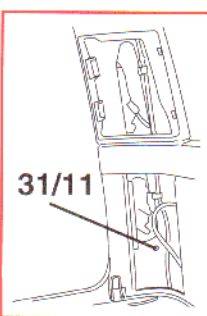
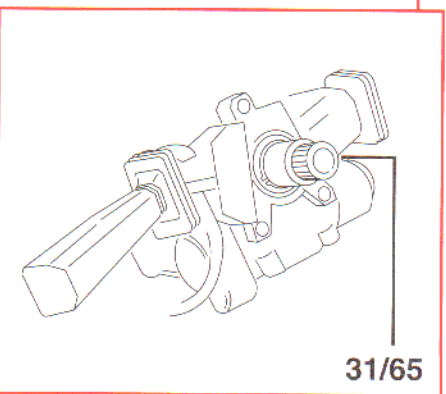
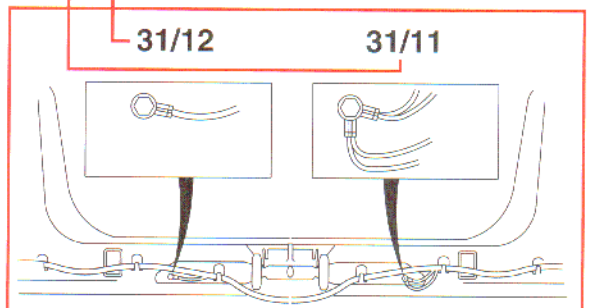
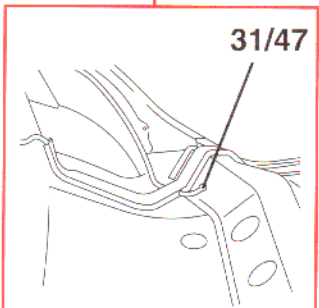
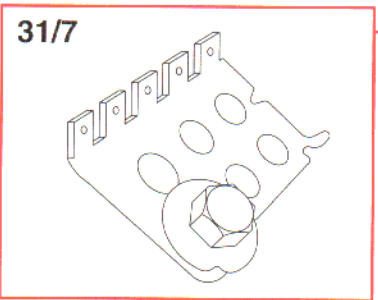
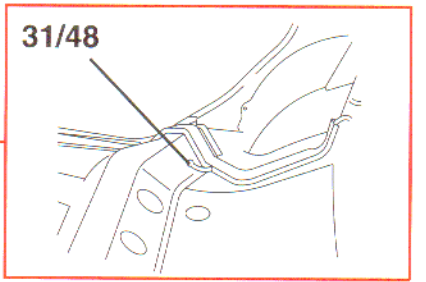
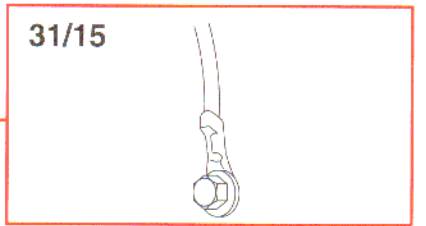
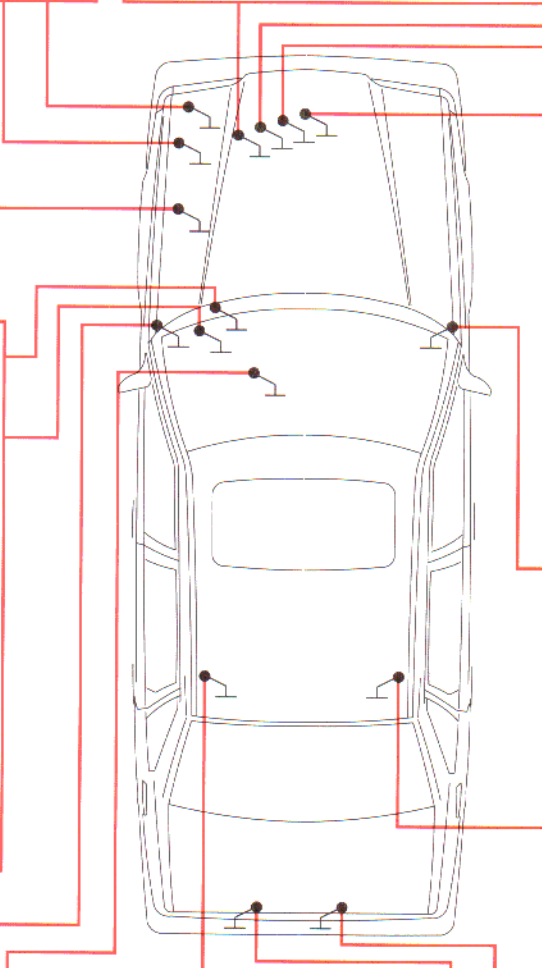
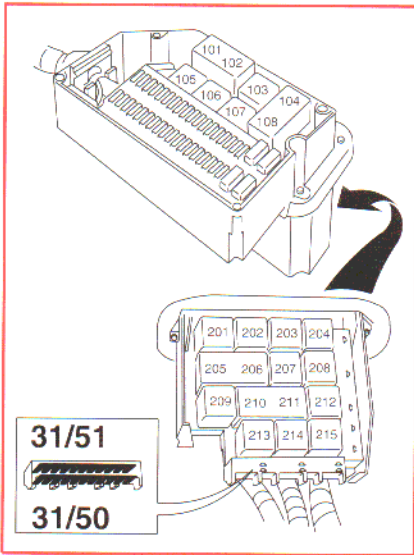
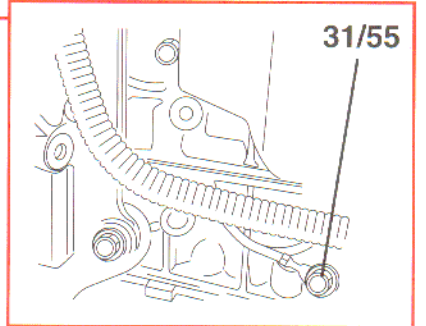
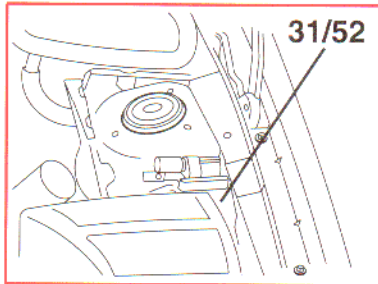
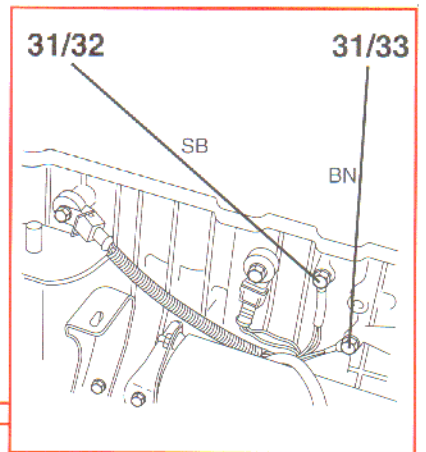
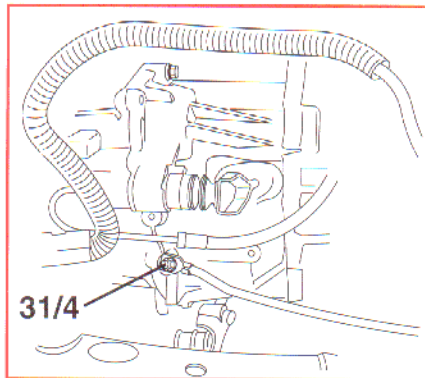
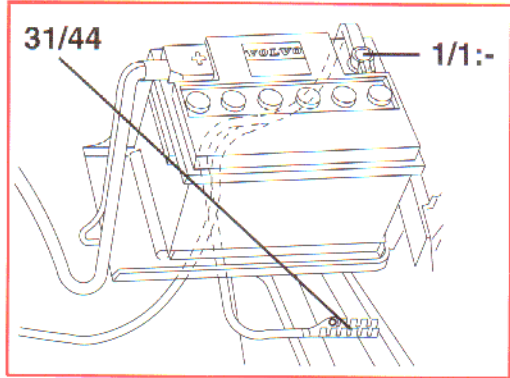
23/503 (Tunnel harness)

To / From		Color	Remarks
11/26:2	Fuse (via connector 24/7:1 Firewall harness - tunnel harness and connector 24/2A:3 Engine compartment harness - firewall harness)	BL-Y	
3/87:2	Switch, left power door mirror	BL-Y	
3/88:2	Switch, right power door mirror	BL-Y	
3/91:3	Switch, heated front seat, left	BL-Y	
3/92:3	Switch, heated front seat, right	BL-Y	

23/601 (Tailgate harness. Only 5-door)

To / From		Color	Remarks
23/417	Branching point (via connector 24/25:10 Left door sill harness - tailgate harness)	SB	
3/78:2, 8	Lock module, trunk/tailgate	SB	
10/19:2	High-level stop (brake) light	SB	
10/20:2	License plate lighting	SB	





Ground points

1/1:-

Alarm switch, bonnet
Kick-down switch, throttle control (LHD)
ABS control module
Left headlight washer motor
Brake fluid level sensor (LHD)
Left front light
Right front light
Left parking light and turn signal, front
Left side flasher light
Left front fog light assy.

31/4

Battery

31/7

LHD:

Lock module, front left
Left power door mirror
Courtesy light
Reading light, rear left
Reading light, rear right
Vanity mirror lighting, left side
Radio
Amplifier

RHD:

Lock module, front right
Control module, power sunroof
Right power door mirror
Vanity mirror lighting, right side
Radio
Amplifier

31/11

Lock module, trunk/tailgate
Bulb failure warning sensor rear
Power antenna
Antenna amplifier
Left tail light
License plate lighting
High-level stop (brake) light, spoiler (4-door)
High-level stop (brake) light (5-door)
Rear window wiper motor
Heated rear window (5-door)
CD changer
Tilt sensor (5-door)

31/12

Right tail light
Tilt sensor (4-door)

31/15

Blower fan max, relay
Climate control
Program selector, automatic transmission
Switch, heated rear seat, left side
Switch, heated rear seat, right side
Lock module, front left (RHD)
Lock module, front right (LHD)
Switch, left power door mirror
Switch, right power door mirror
Switch, heated front seat, left
Switch, heated front seat, right
Switch, auto-down relay, power windows
Control module, ECC
Power module, blower fan
Control module, power sunroof
Blower fan (Not ECC)
Servo motor recirculation shutter (Not ECC)
Left power door mirror (RHD)
Right power door mirror (LHD)
In-car temperature sensor, driver side (ECC)
In-car temperature sensor, passenger side (ECC)
Solenoid, P-shift lock
Cigar lighter
Courtesy light (RHD)
Reading light, rear left (RHD)
Reading light, rear right (RHD)
Cigar lighter lighting
Gear selector lighting
Ashtray lighting, rear
Vanity mirror lighting, left side (RHD)
Vanity mirror lighting, right side (LHD)
On-board diagnostics socket

31/32

Control module, EZK (DI) ignition system
Control module, AW 50-42 automatic transmission
Control module, Fenix 5.2 MFI
Control module, LH-Jetronic 3.2 MFI
Control module, Motronic 4.3/4.4 MFI
PTC resistor pre-heater

31/33

Control module, EZK (DI) ignition system
Control module, AW 50-42 automatic transmission
Control module, Fenix 5.2 MFI
Control module, LH-Jetronic 3.2 MFI
Control module, Motronic 4.3/4.4 MFI

31/44

Secondary air pump
Battery

31/47

Lock module, rear left
Seat belt lock, left front seat (LHD)
Control module, left front seat
Backrest heater pad, left front seat
Backrest heater pad, left rear seat
High-level stop (brake) light (4-door)
Heated rear window (4-door)

31/48

Lock module, rear right
Seat belt lock, right front seat (RHD)
Control module, right front seat
Fuel pump
Backrest heater pad, right front seat
Backrest heater pad, right rear seat

31/50

Regulator, DIM-DIP
Central locking/delayed inner lighting relay
Alarm relay (RHD)
Overload relays X+
Overload relay 15+
Heated rear seat relay (LHD)
Relay, deadlock setting
Driver door, 2-stage central locking relay
Switch, central locking
Light switch
Switch, hazard lights with flasher relay
Switch, heated rear window/door mirrors
Switch, power sunroof
Horn switches (via 31/65)
Switch, rear fog light
Switch, TRACS
Rheostat
Safety circuit SRS (in 5/1)
Remote control module, central locking/anti-theft alarm
Combined instrument panel
Windshield wiper motor
Washer motor, front
Washer motor, rear window
Brake fluid level sensor (RHD)
Washer fluid level sensor
Coolant level sensor
Right side flasher light
Glove compartment lighting
Ashtray lighting, front
Alarm warning LED
Radio
Alarm horn
8-pin connector, accessories
Kick-down switch, throttle control (RHD)
Right front fog light assy.
Right parking light and turn signal, front
Right headlight washer motor
Switch, front fog lights
Alarm siren

31/51

Main headlight relay with bulb failure warning sensor
Windshield wiper intermittent relay
Seat belt reminder/key warning relay (USA, Canada, Korea, Australia)
Relay, exhaust temp. sensor
Rear window intermittent wiper relay
Fuel pump relay
Alarm relay (LHD)
Relay, heated rear seat (RHD)
Relay, heated rear window/door mirrors
Switch, rear window wash/wipe
Beam length control
Control module, cruise control
Combined instrument panel
Beam length control, left actuator
Beam length control, right actuator
Electronic start inhibitor (Immobilizer)

31/52

DI Ignition Discharge Module (power stage) and ignition coil

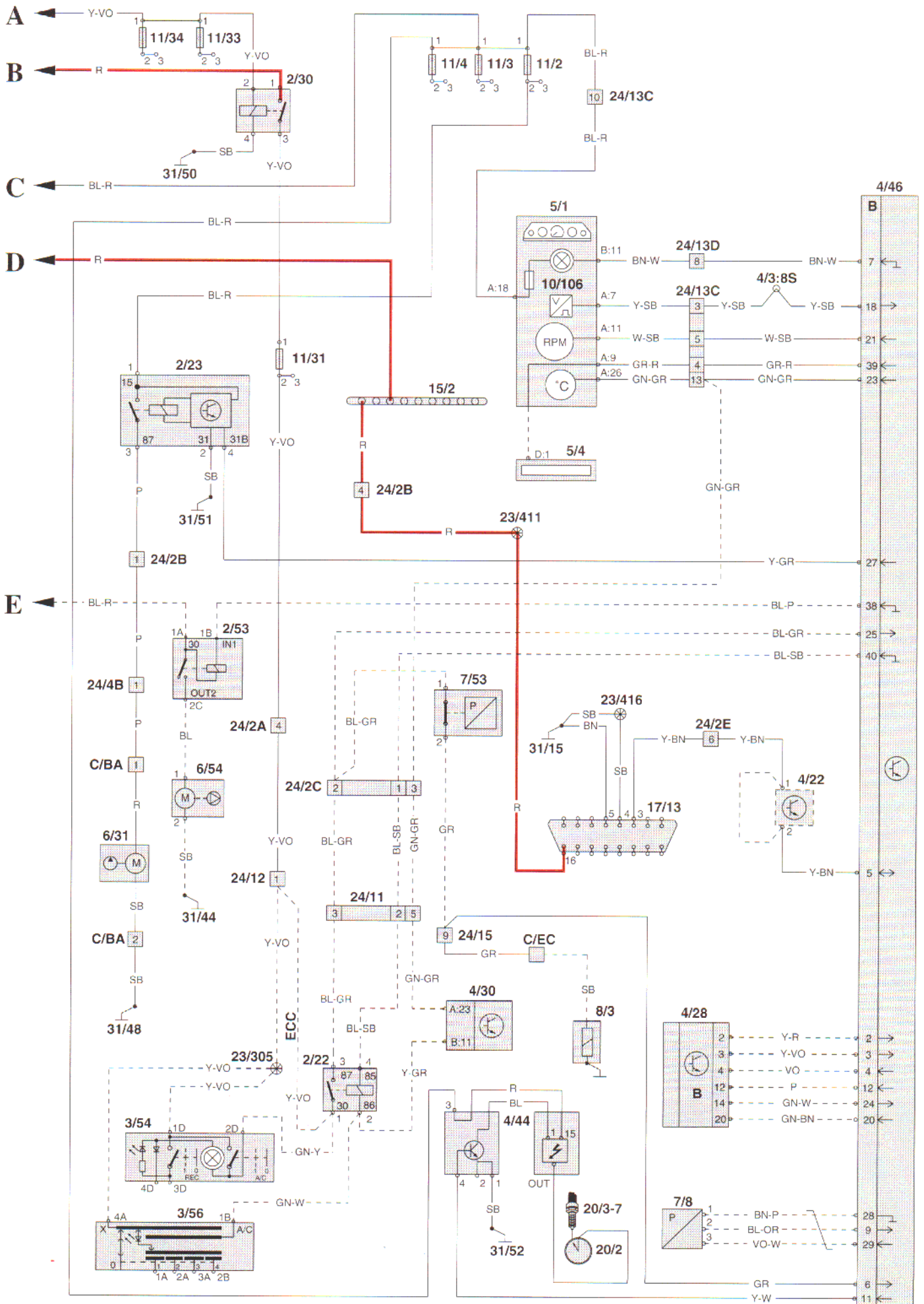
31/55

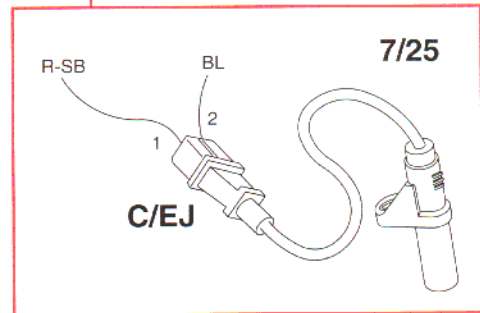
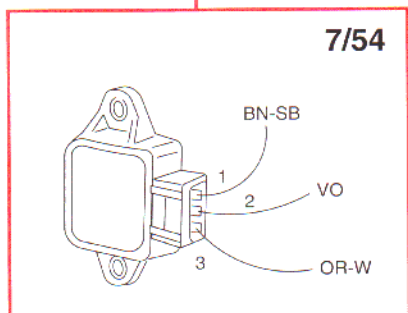
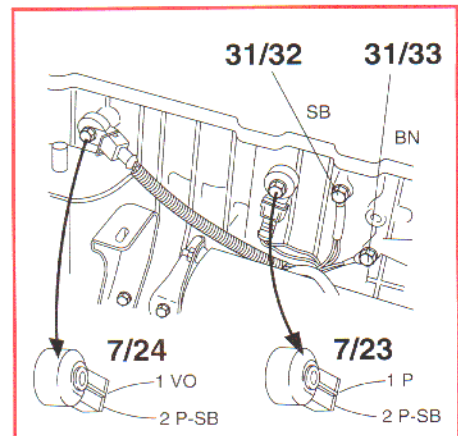
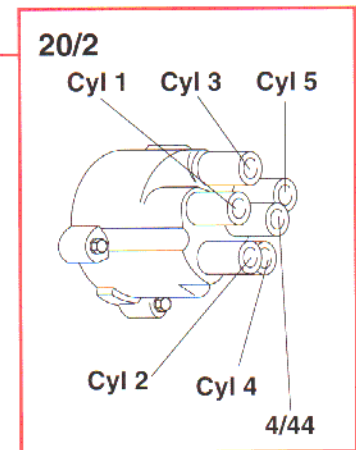
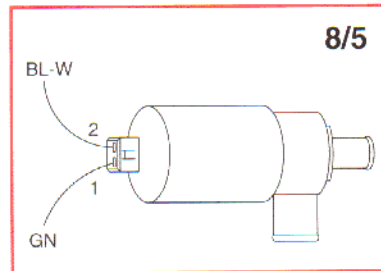
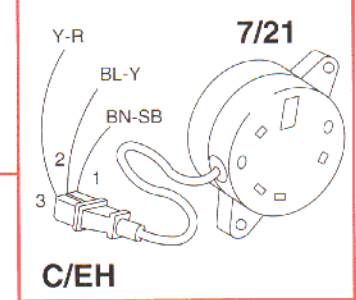
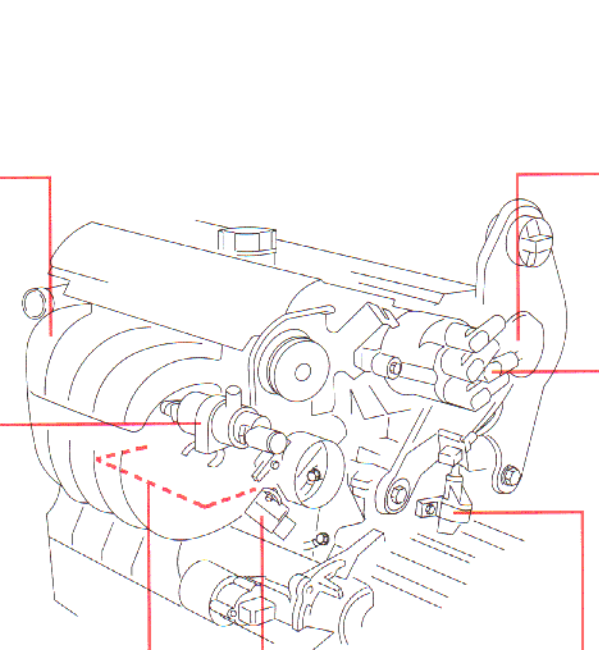
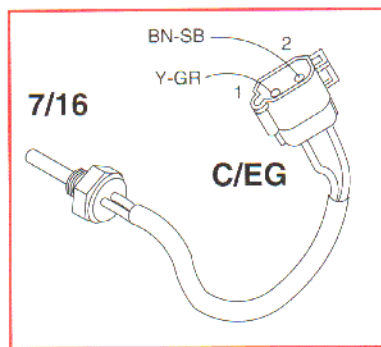
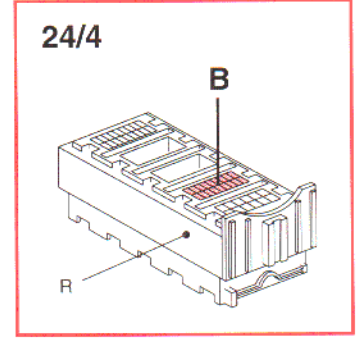
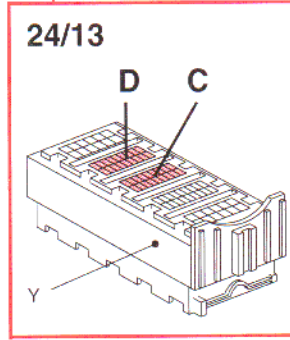
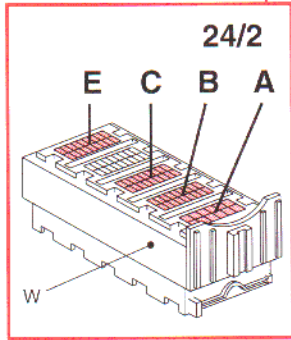
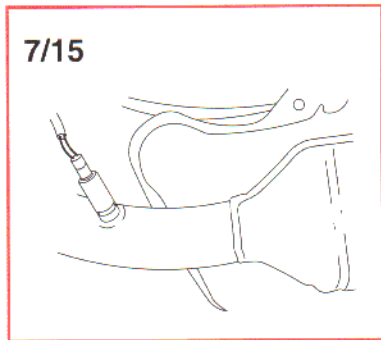
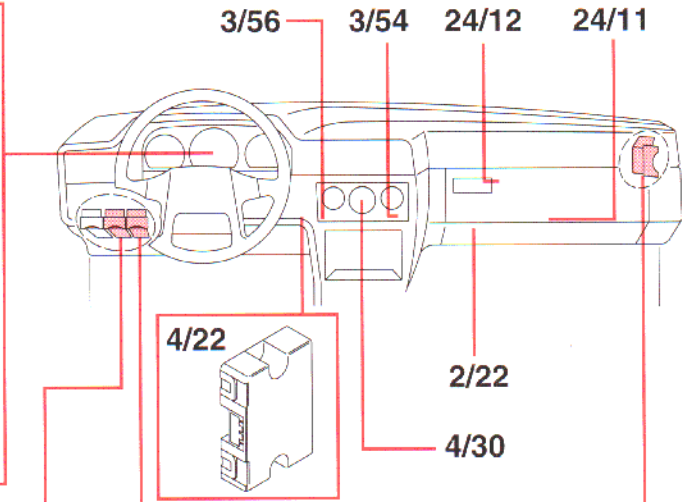
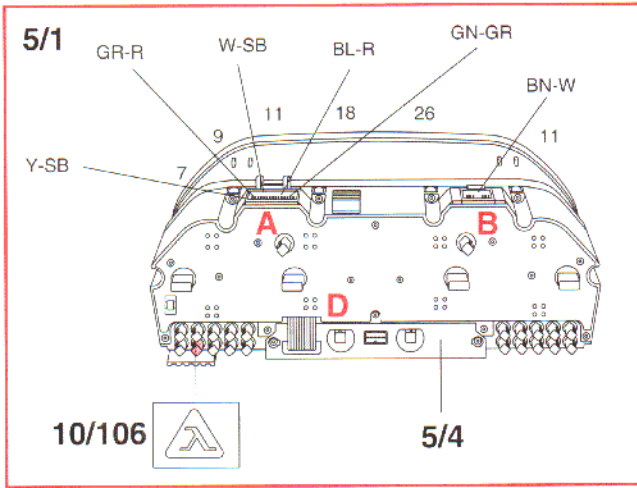
Engine cooling fan

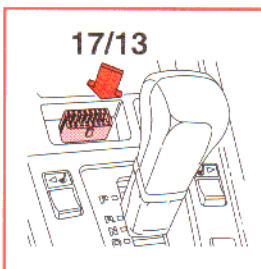
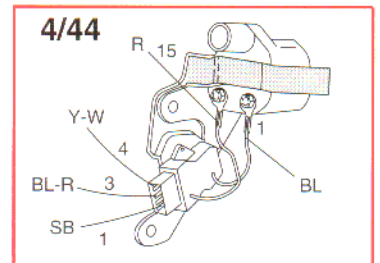
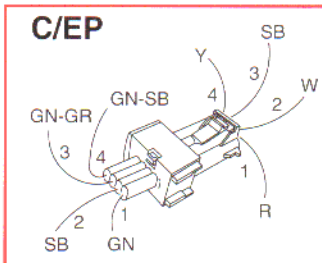
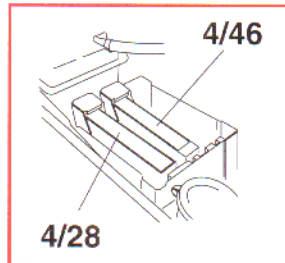
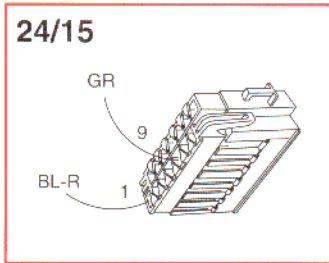
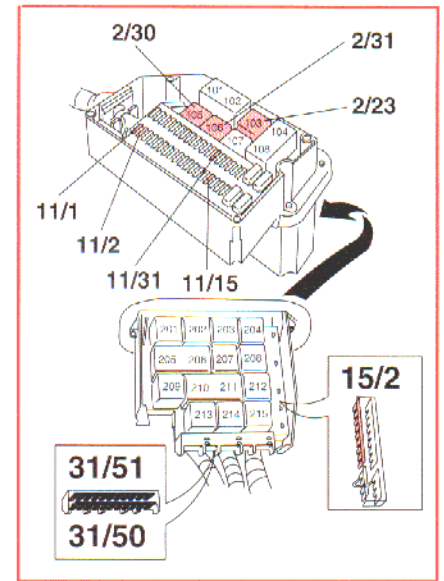
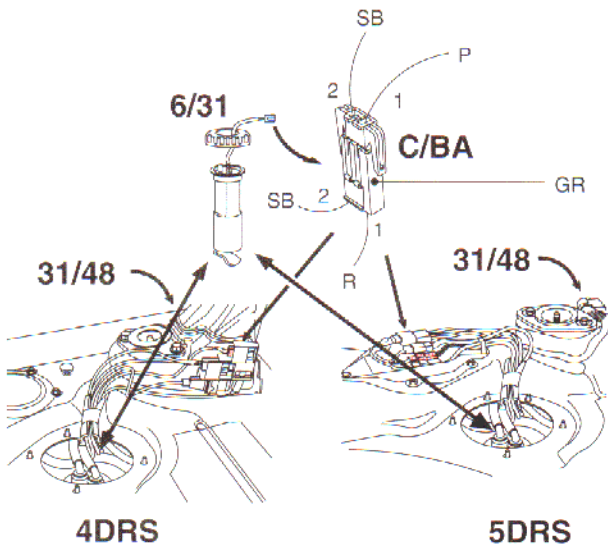
31/65

Horn connectors

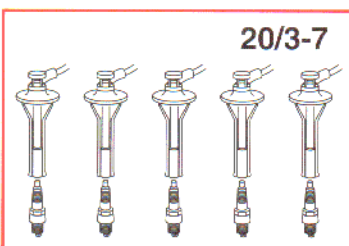
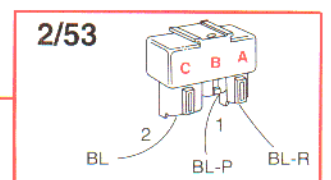
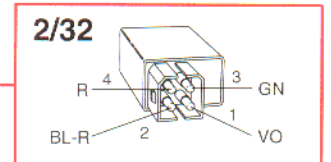
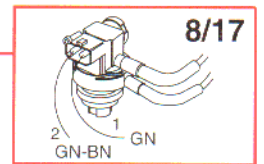
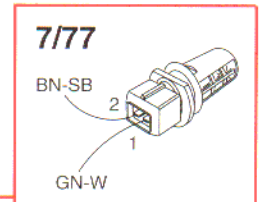
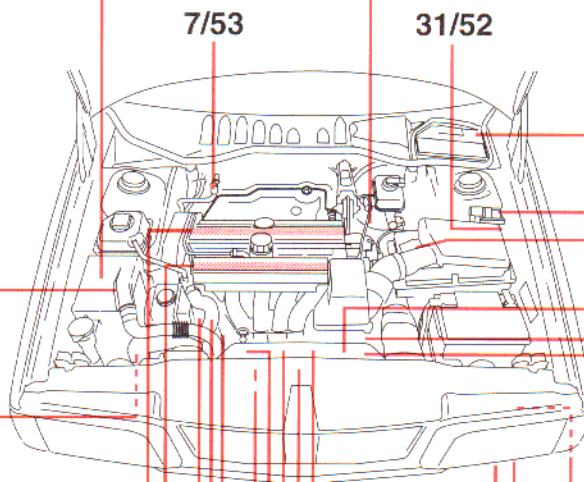
Multiport fuel injection (MFI) system, Fenix 5.2





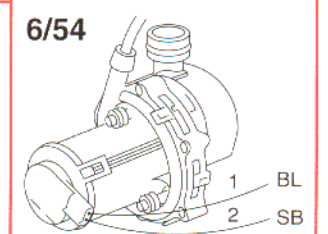
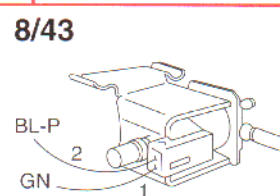
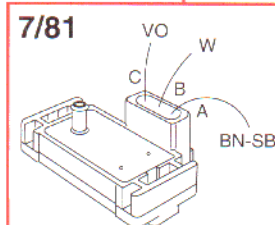
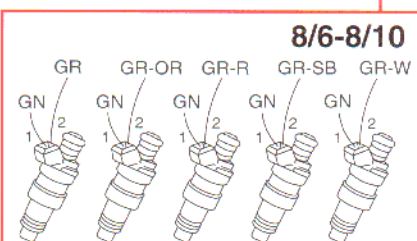


7/8

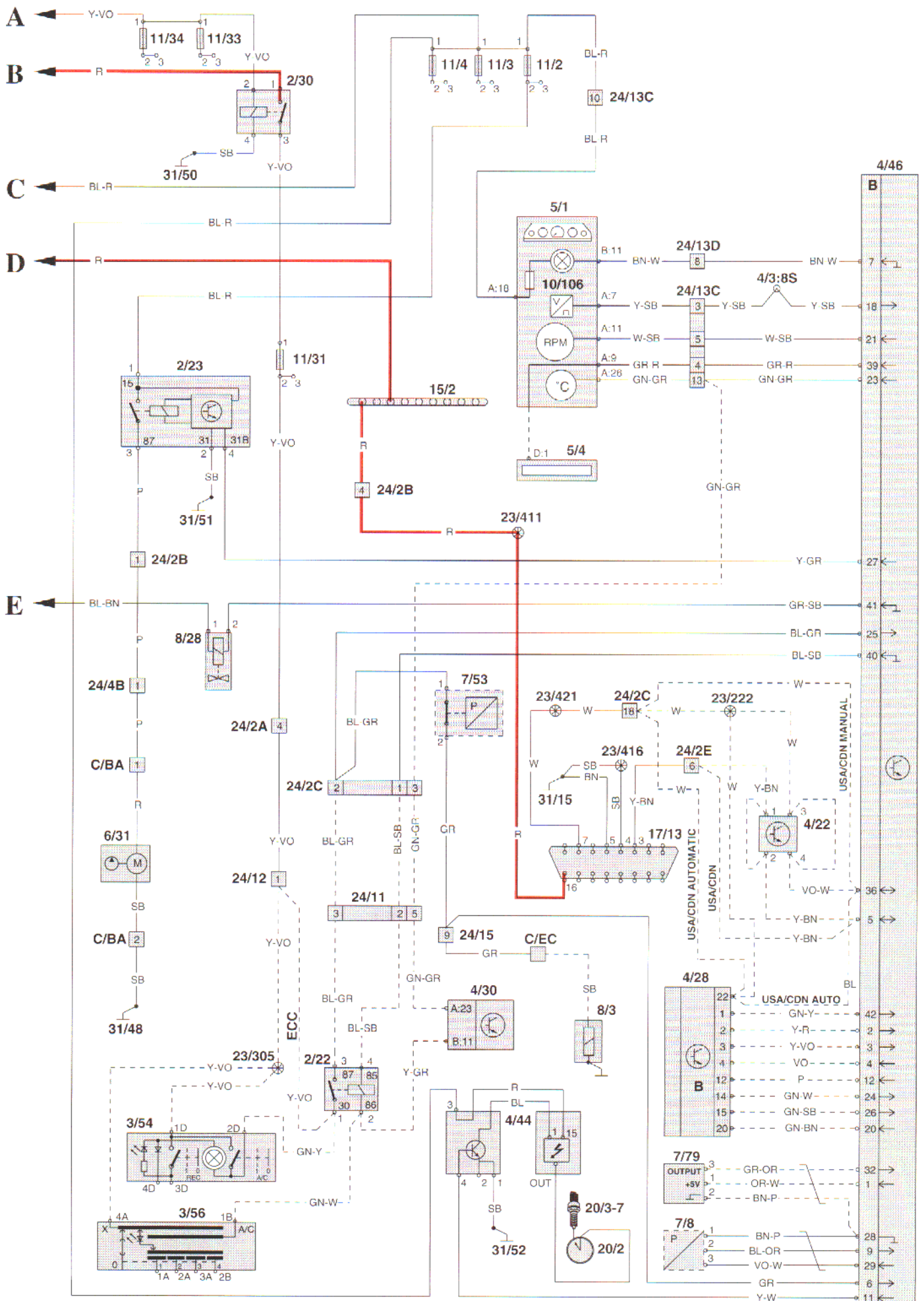


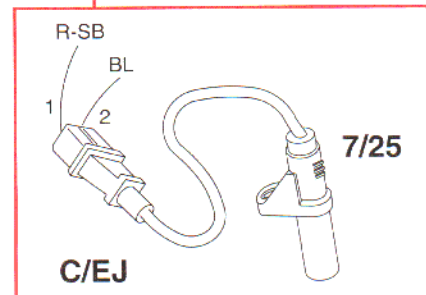
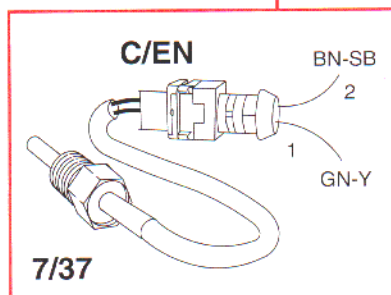
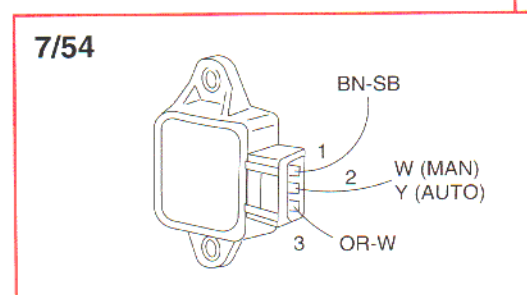
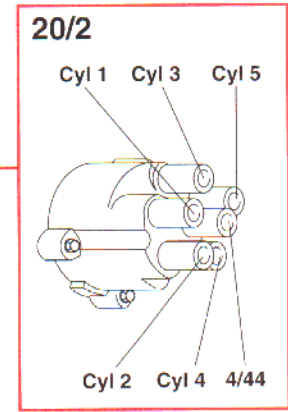
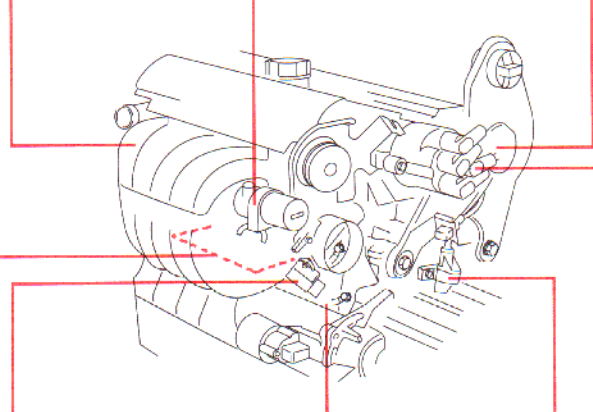
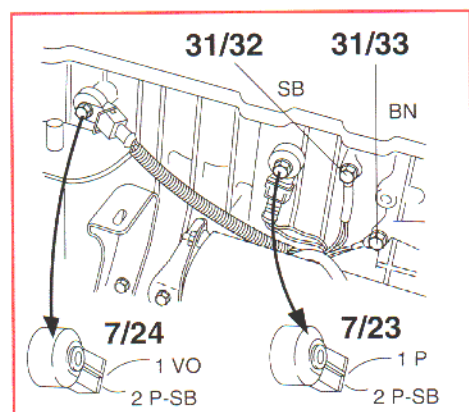
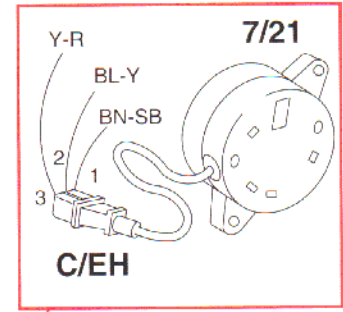
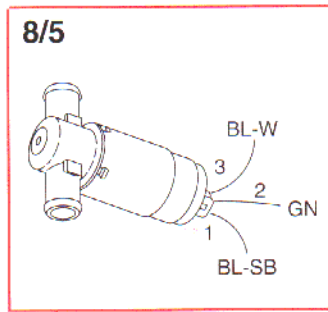
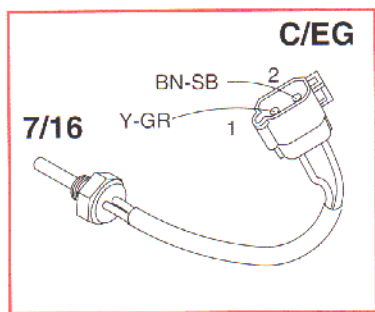
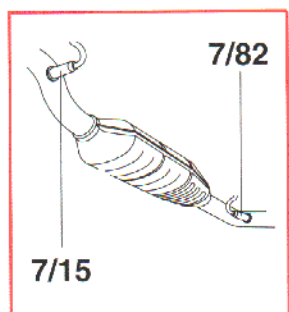
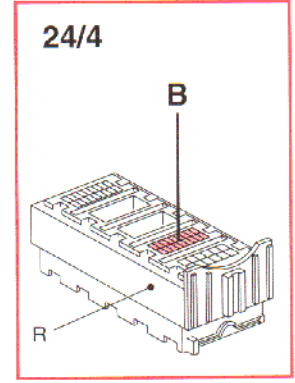
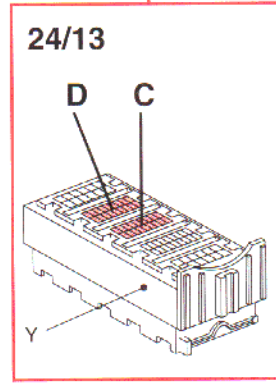
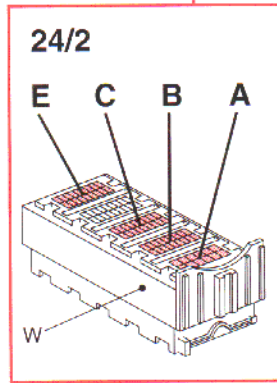
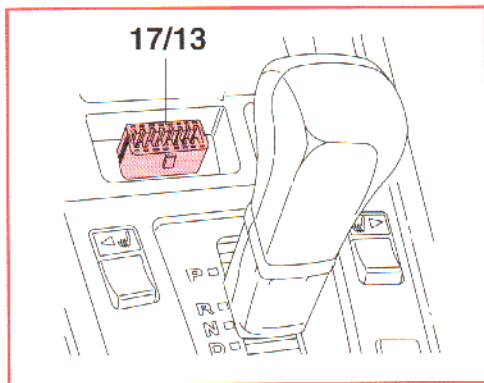
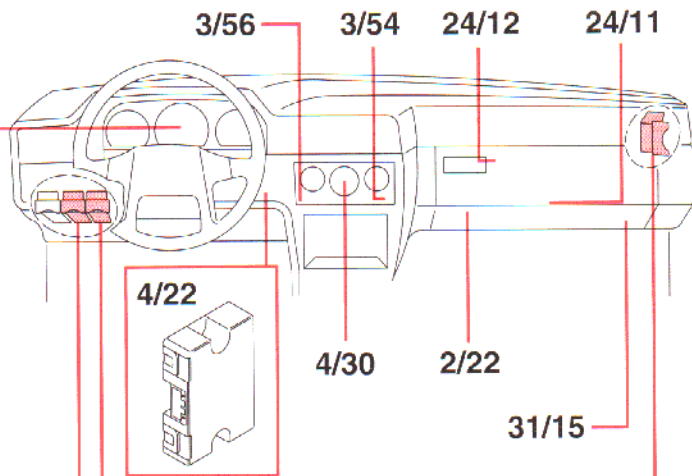
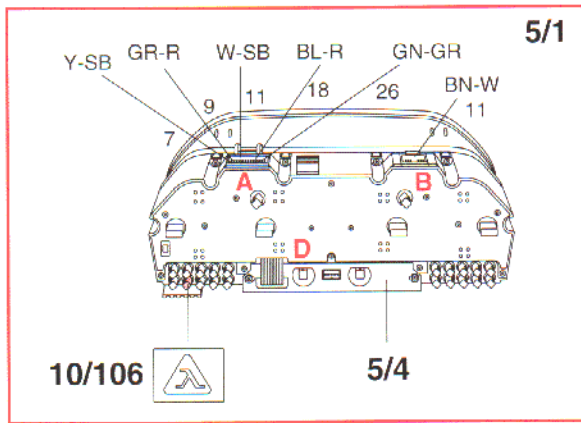
8/3
C/EC
31/55
C/EA
2/11

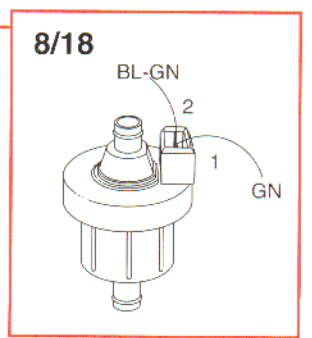
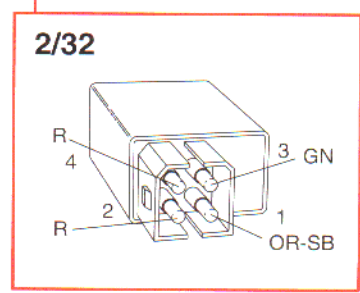
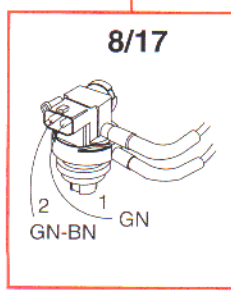
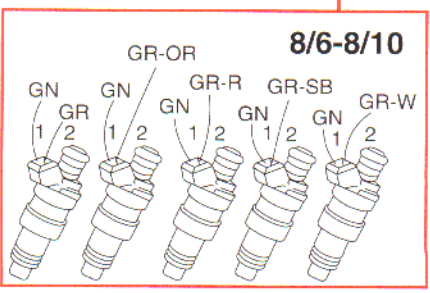
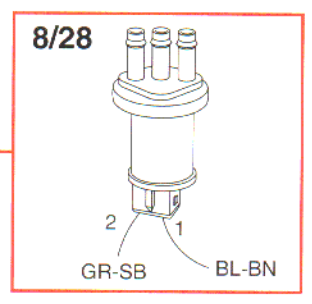
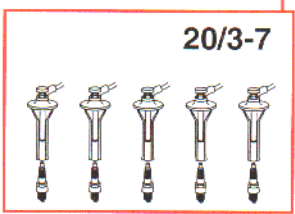
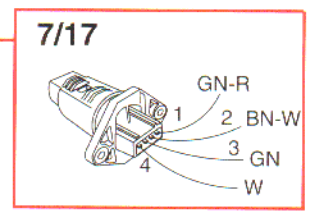
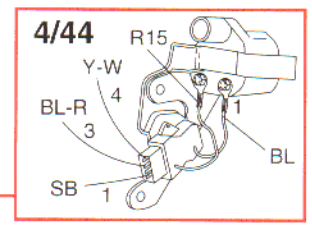
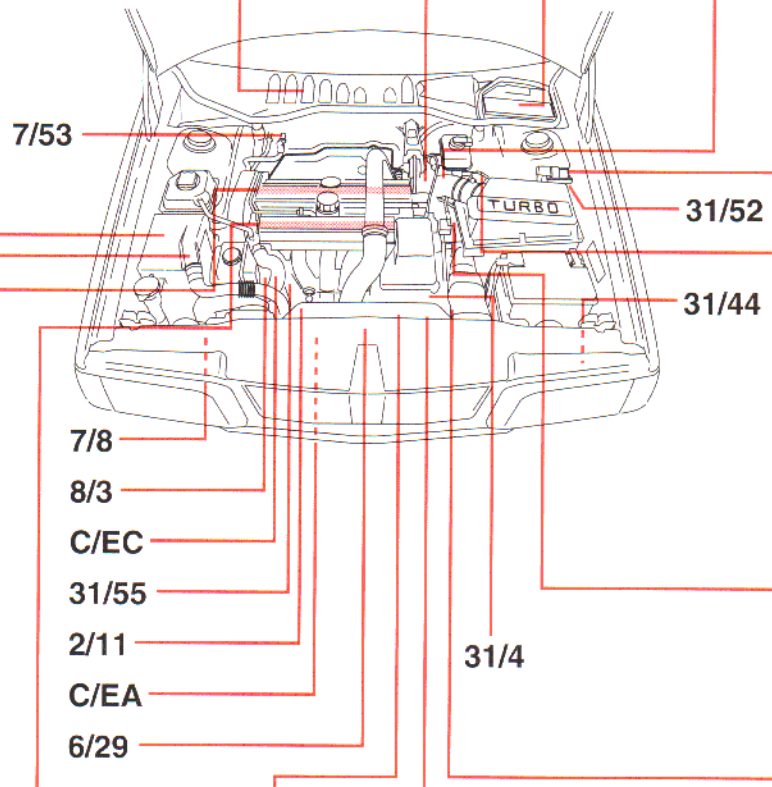
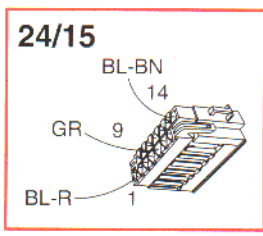
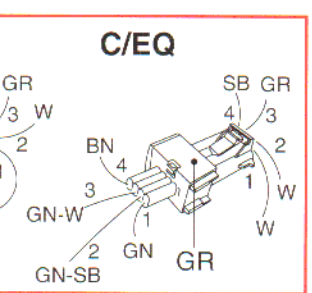
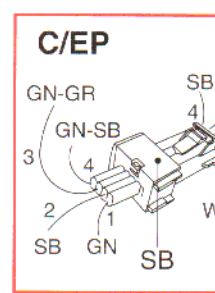
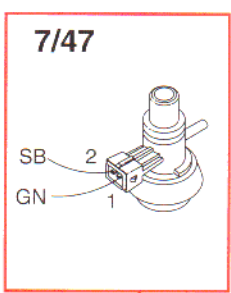
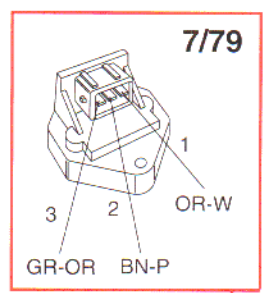
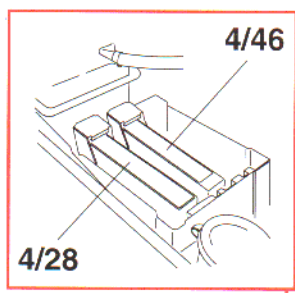
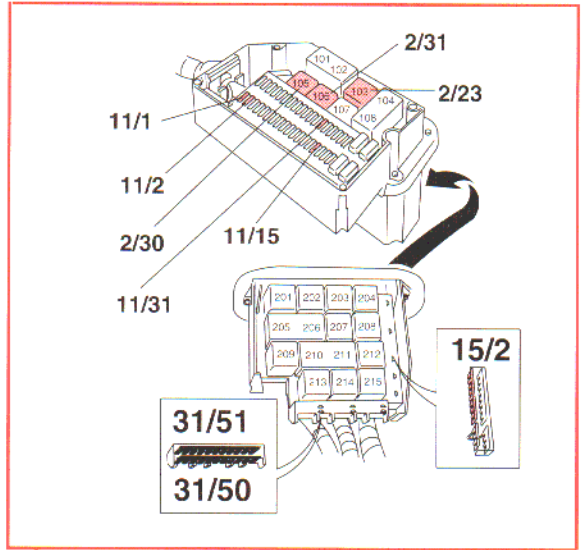
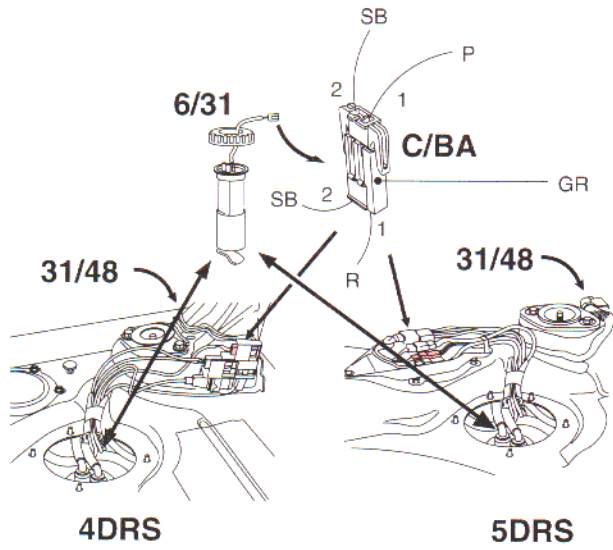
6/29

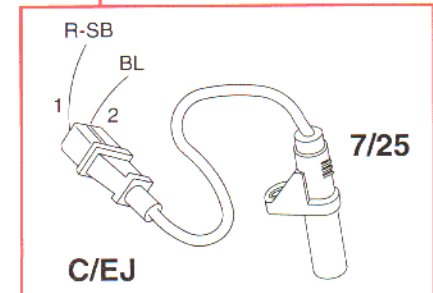
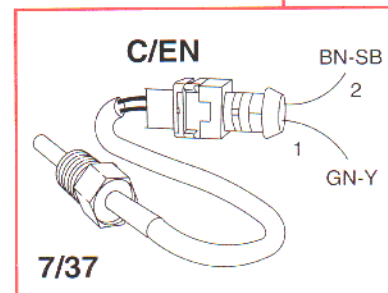
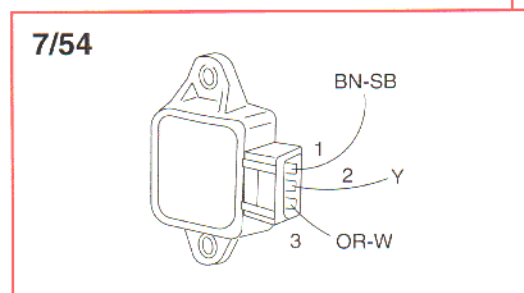
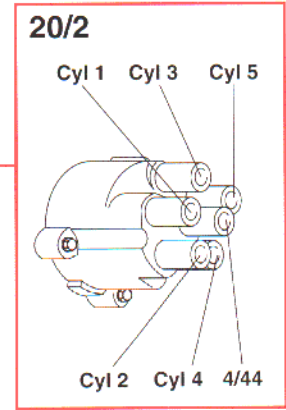
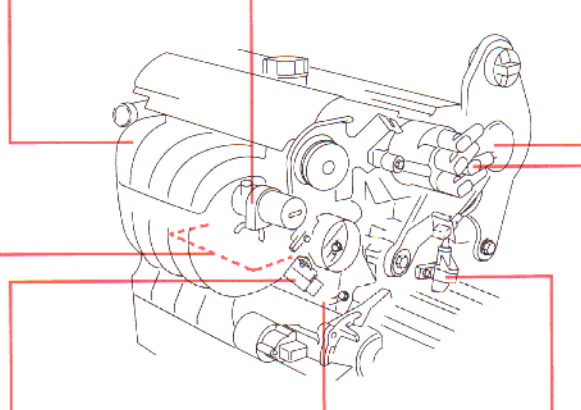
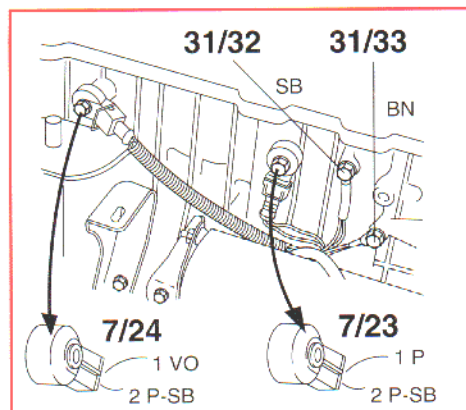
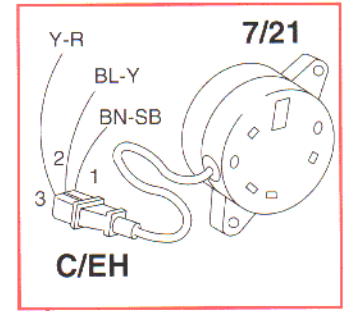
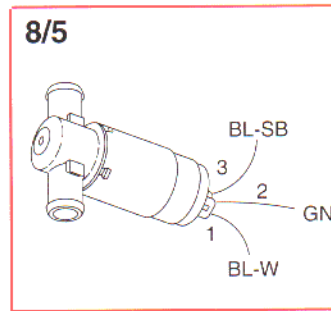
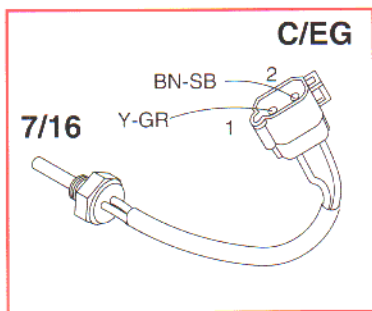
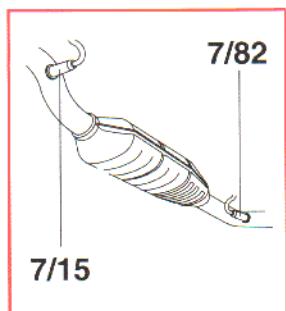
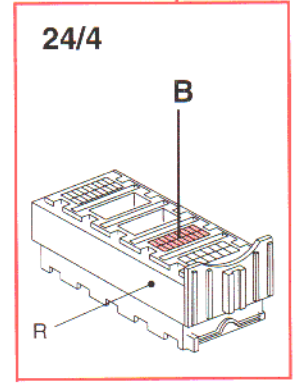
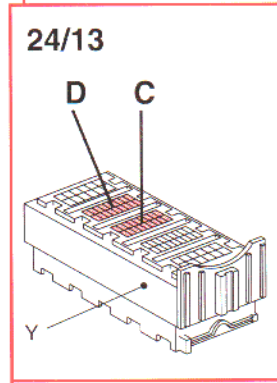
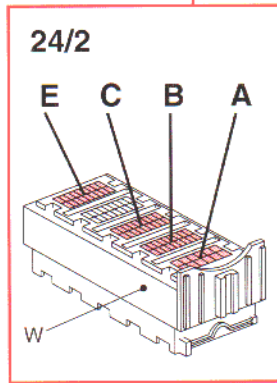
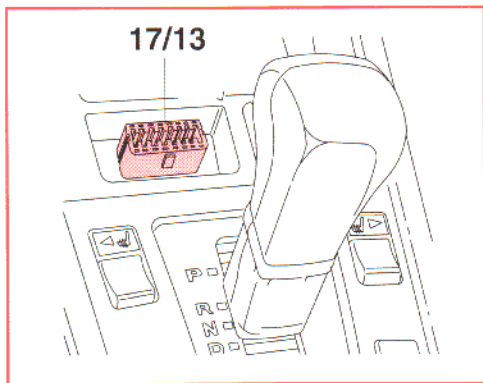
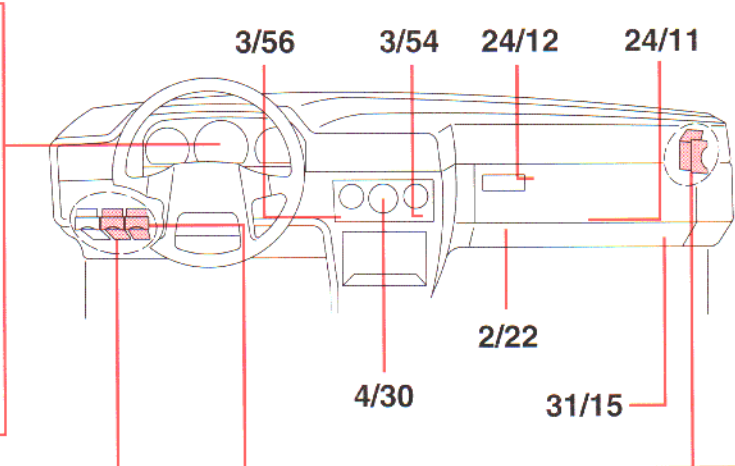
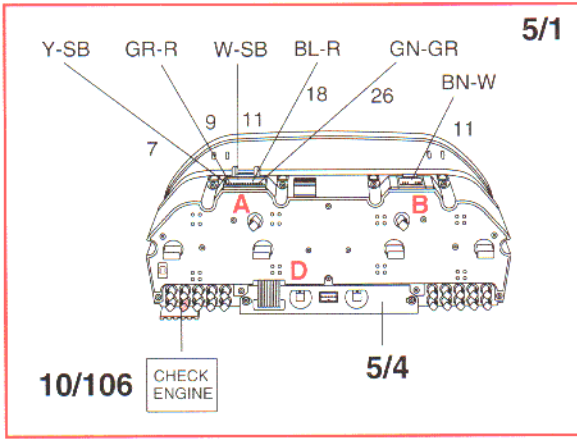


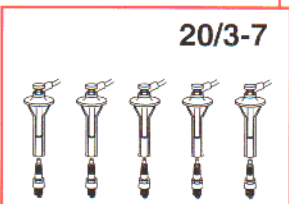
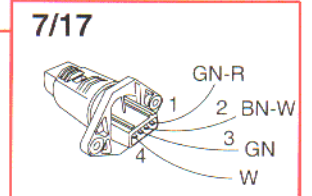
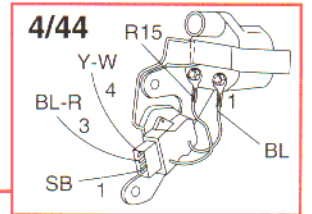
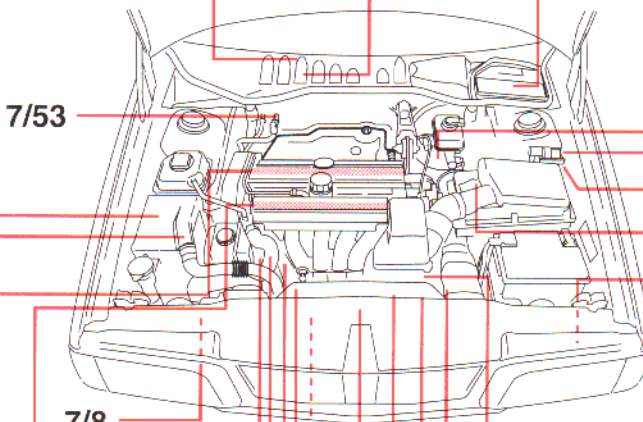
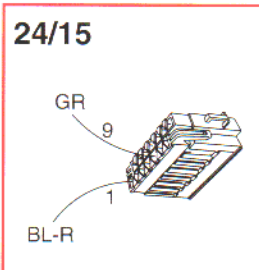
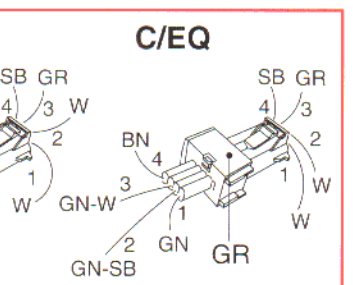
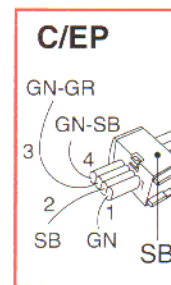
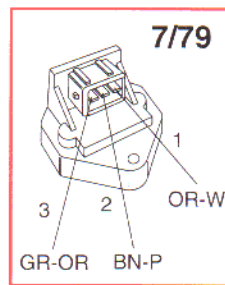
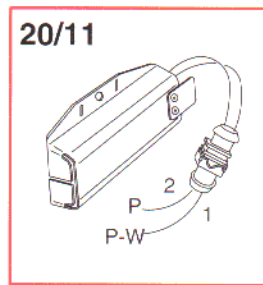
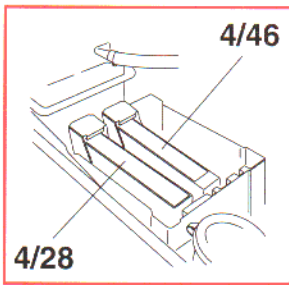
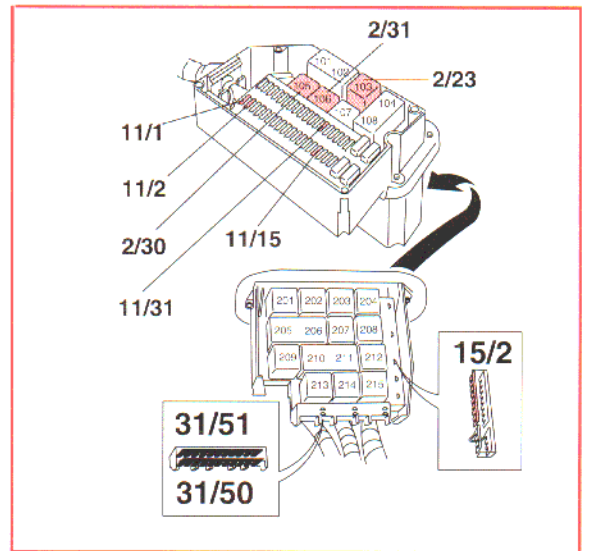
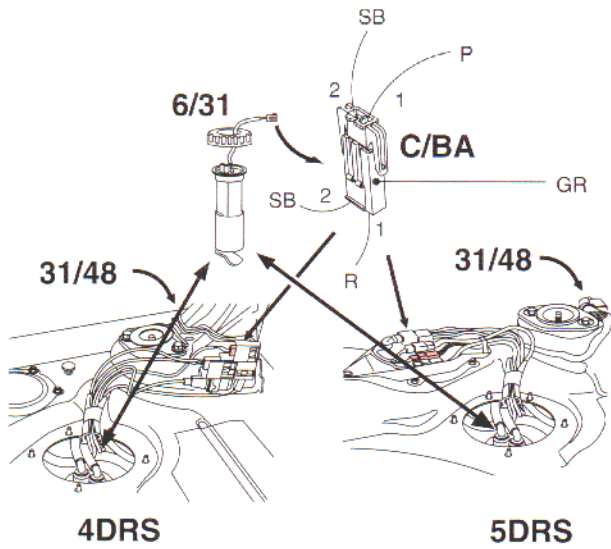
Sequential fuel injection system, Motronic 4.3 (B 5204 T, B 5234 T/T5)



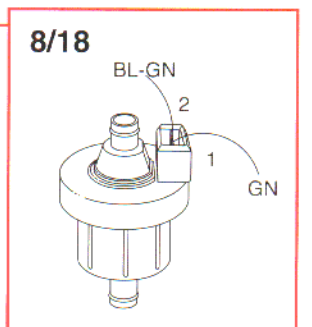
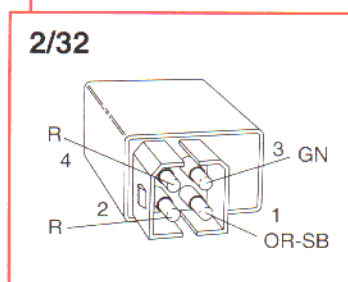
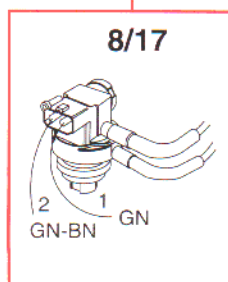
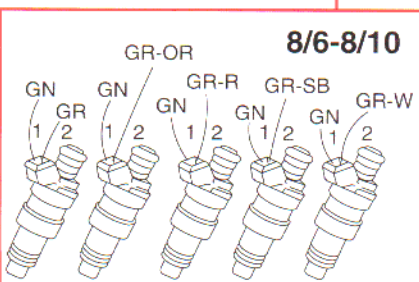


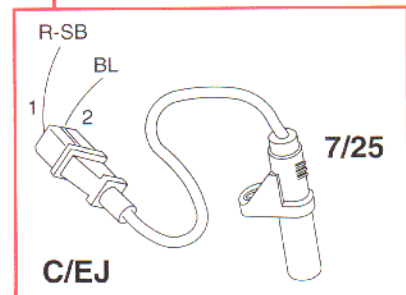
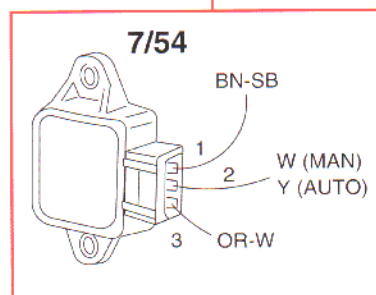
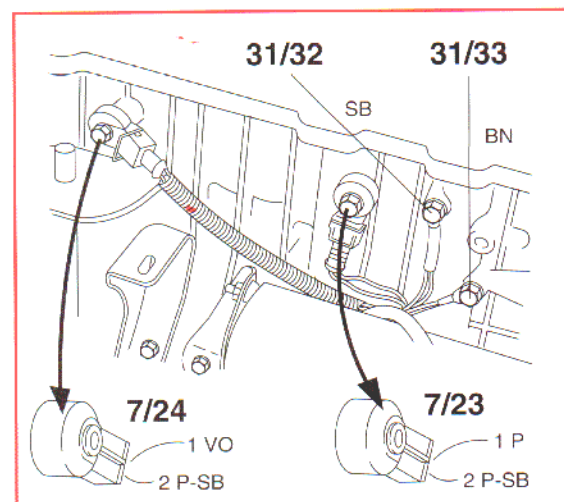
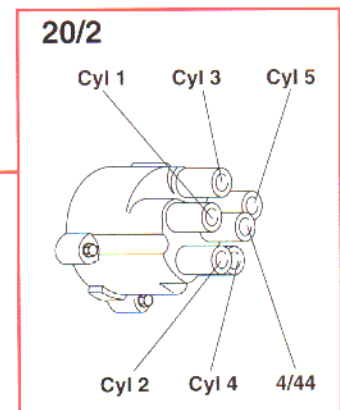
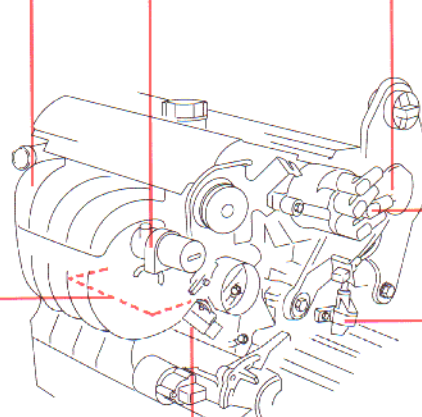
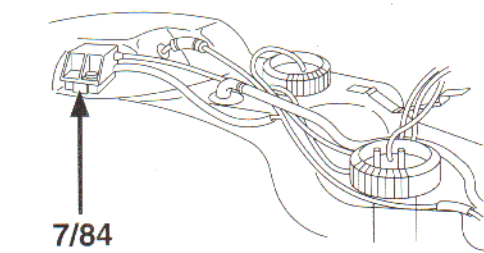
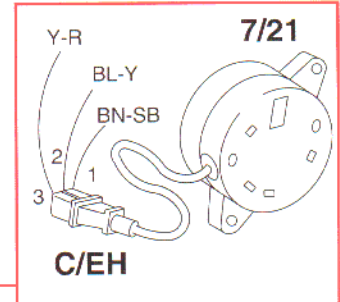
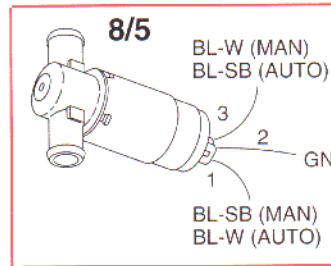
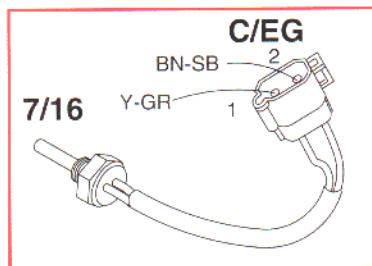
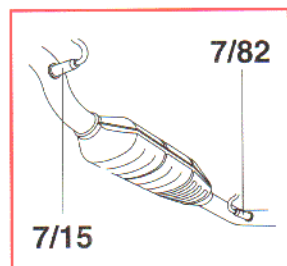
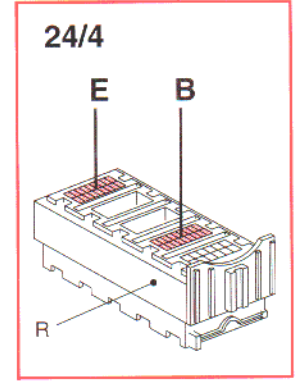
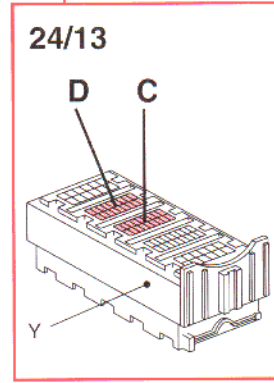
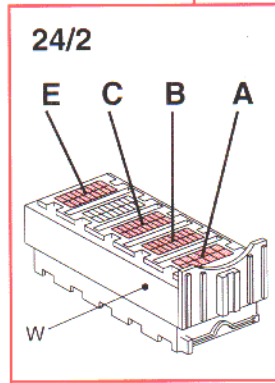
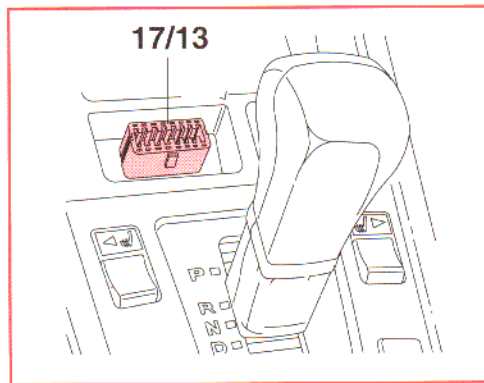
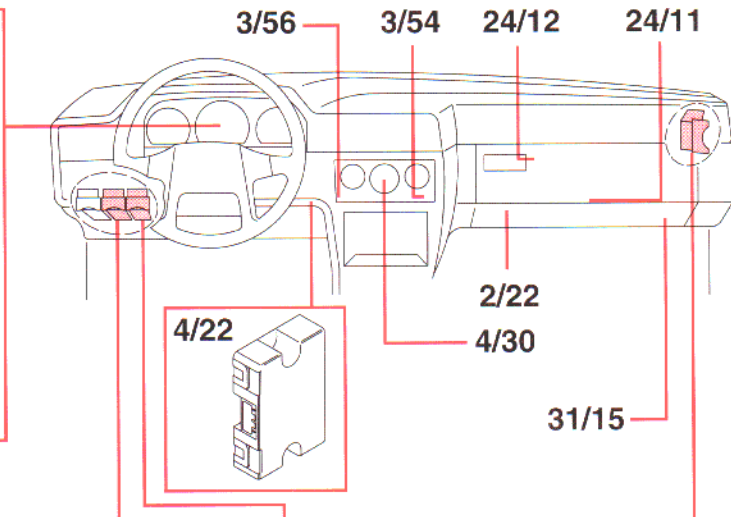
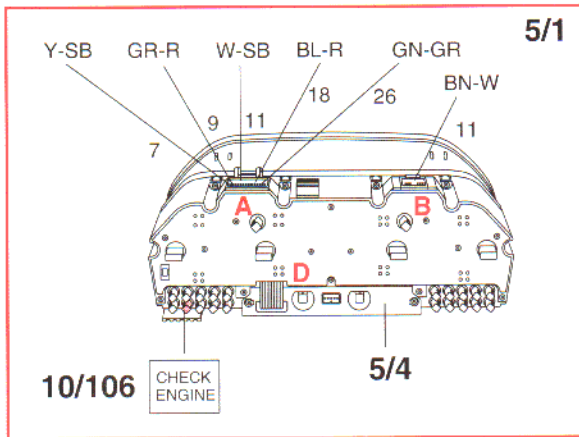


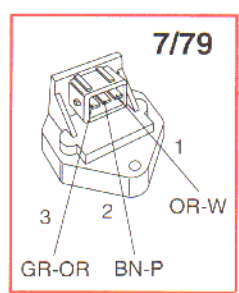
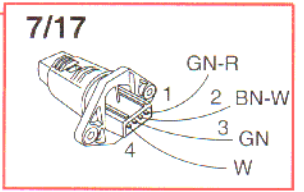
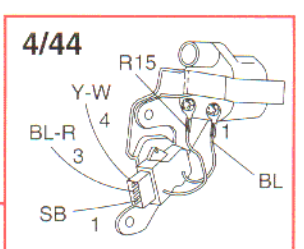
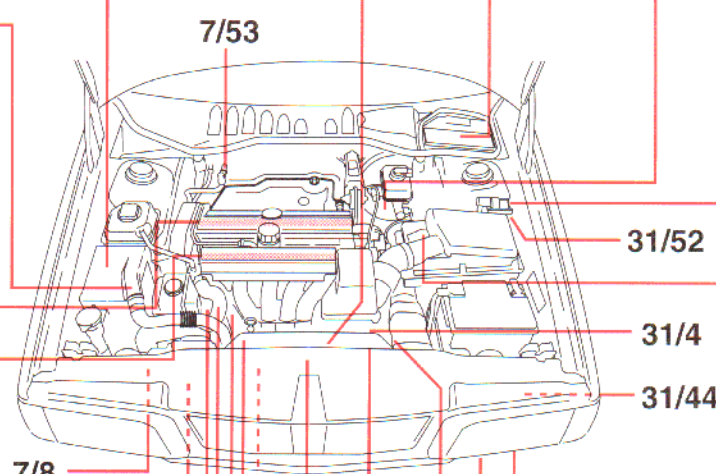
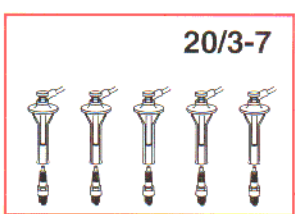
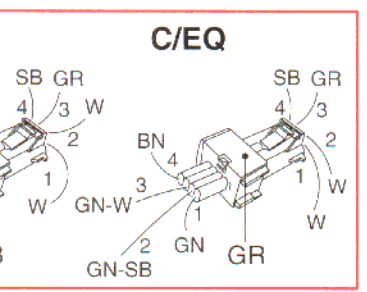
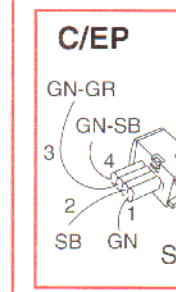
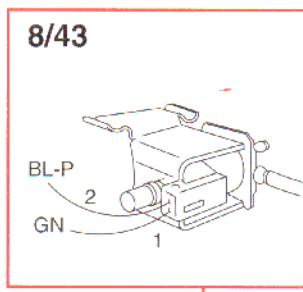
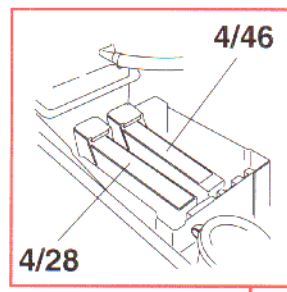
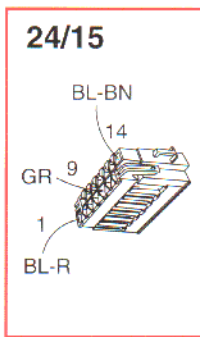
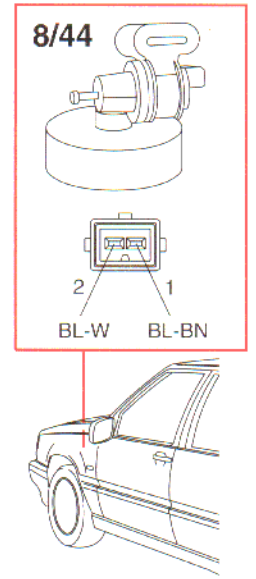
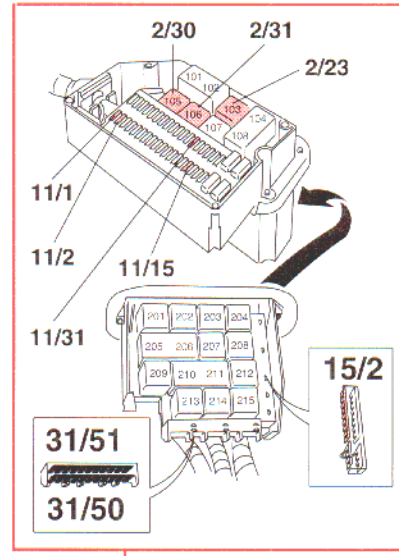
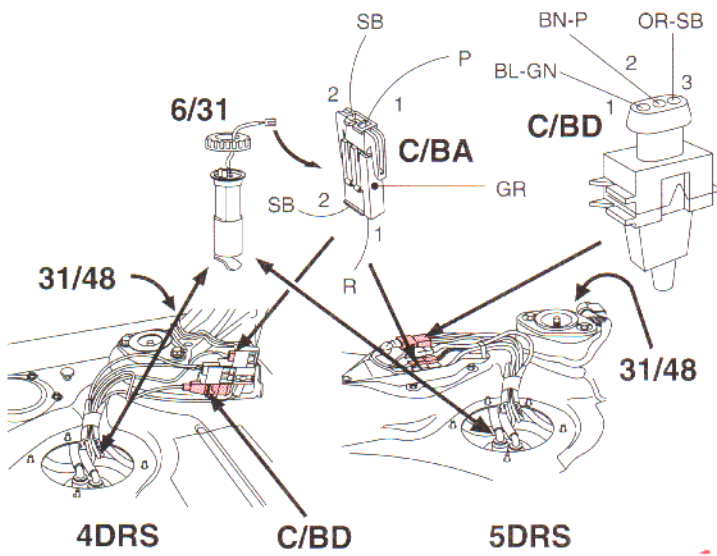




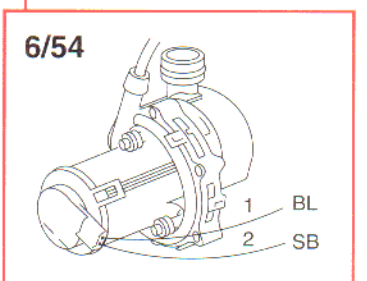
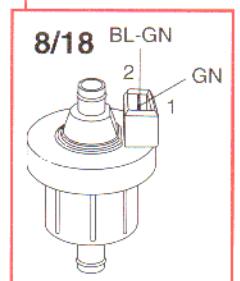
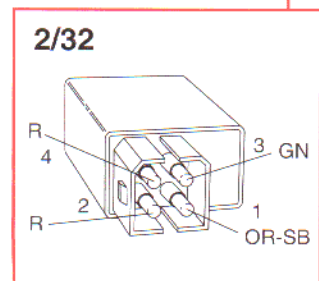
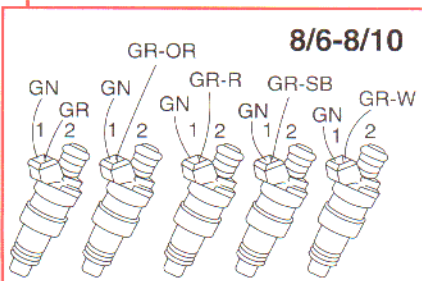
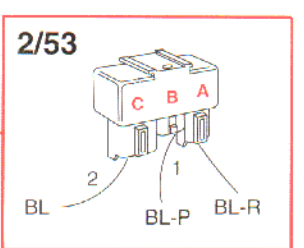
- 7/8**
- 8/3**
- C/EC**
- 31/55**
- 2/11**
- C/EA**
- 6/29**
- 31/52**
- 31/44**
- 31/4**

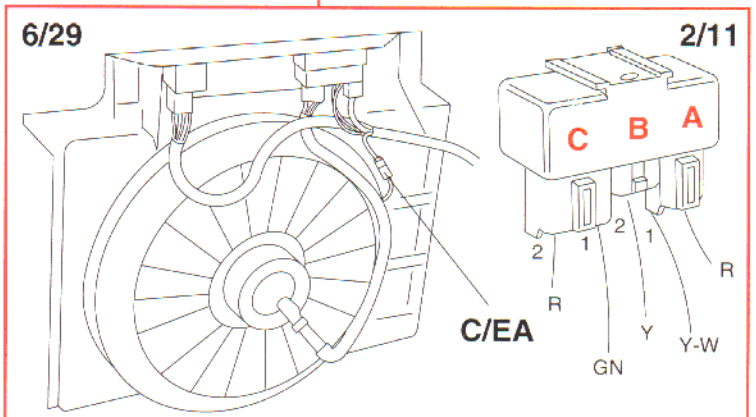
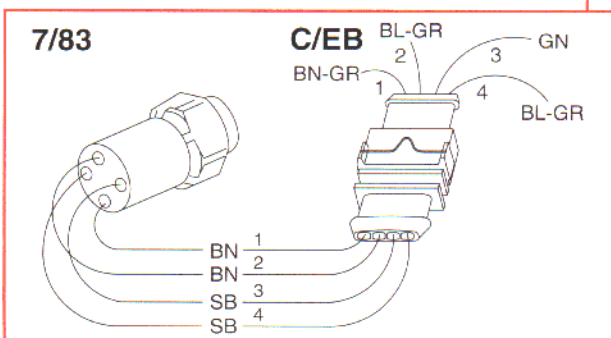
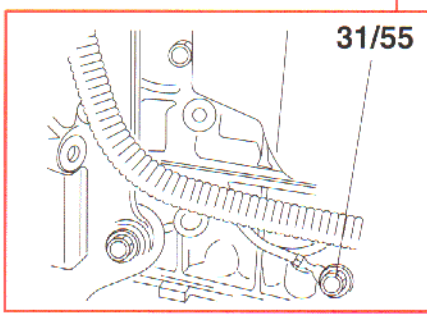
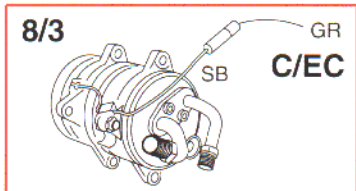
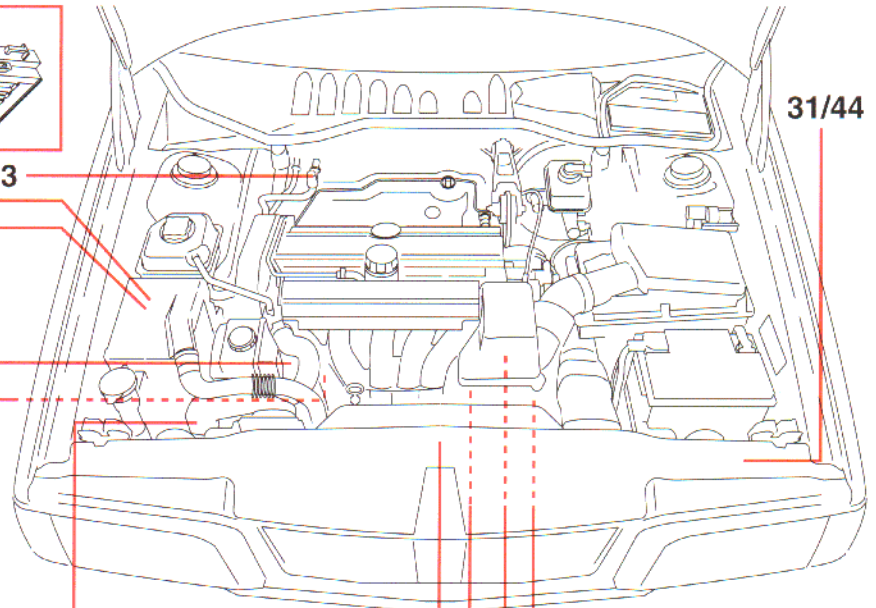
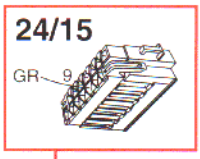
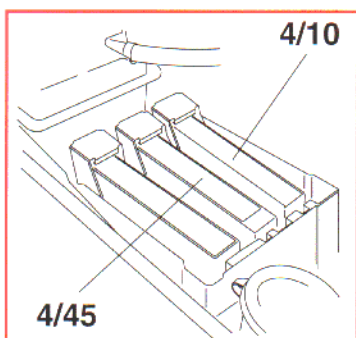
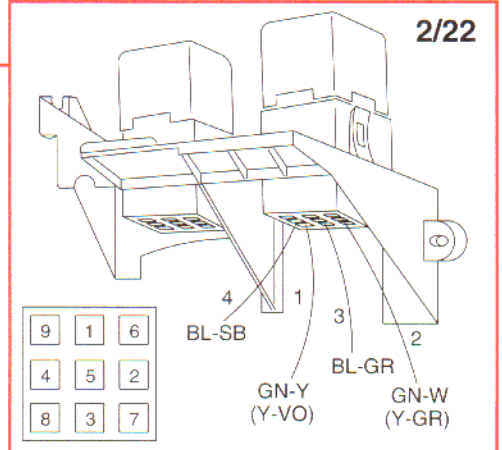
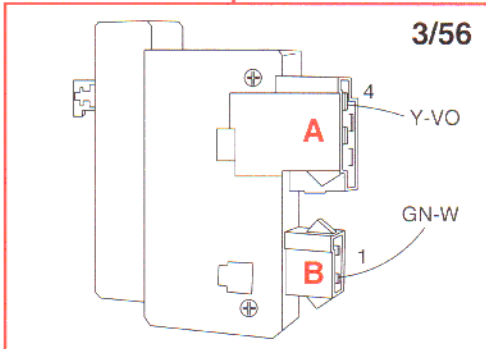
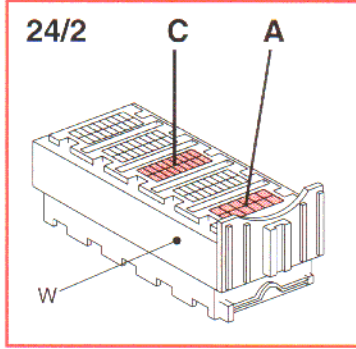
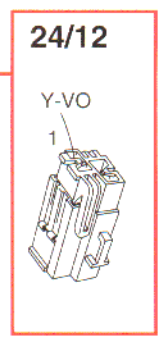
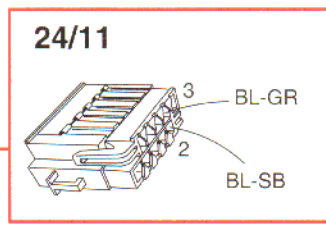
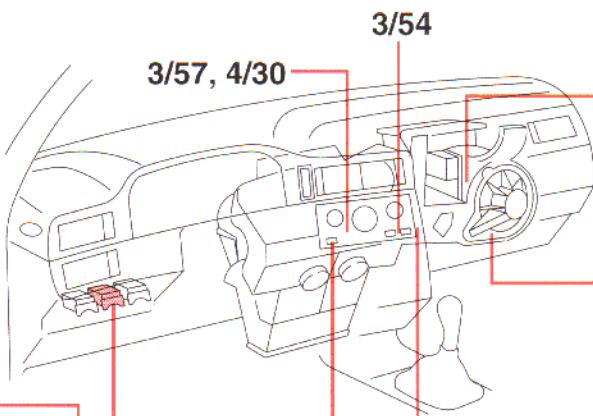
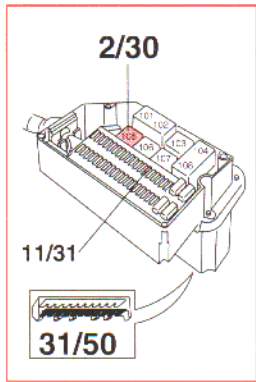


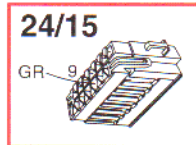
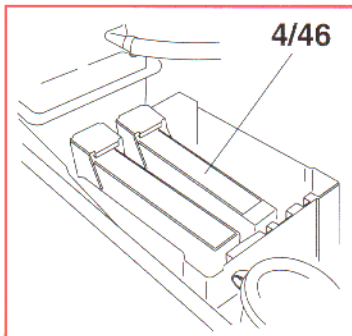
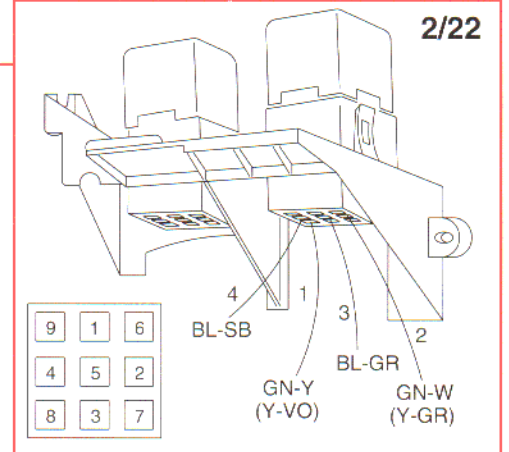
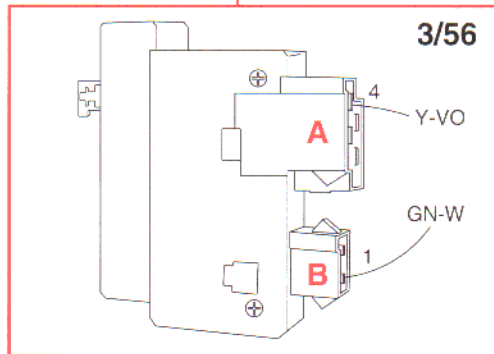
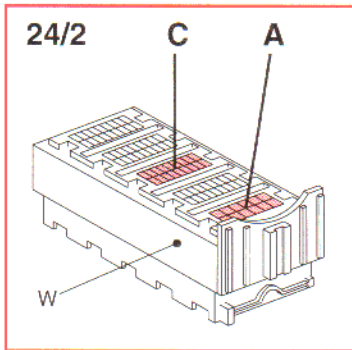
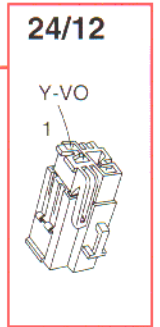
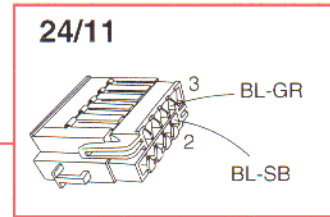
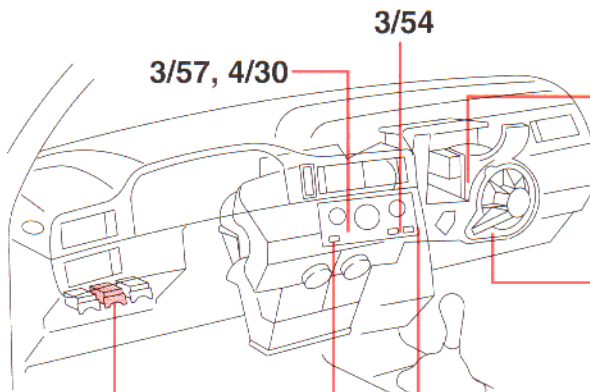
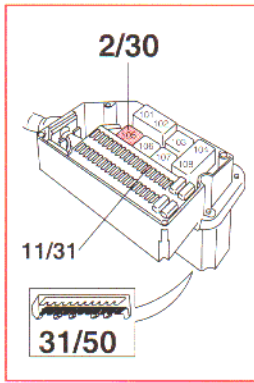




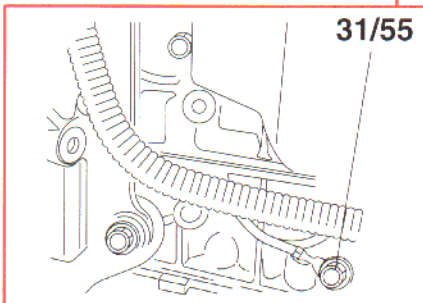
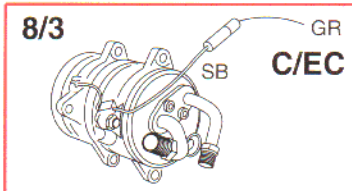
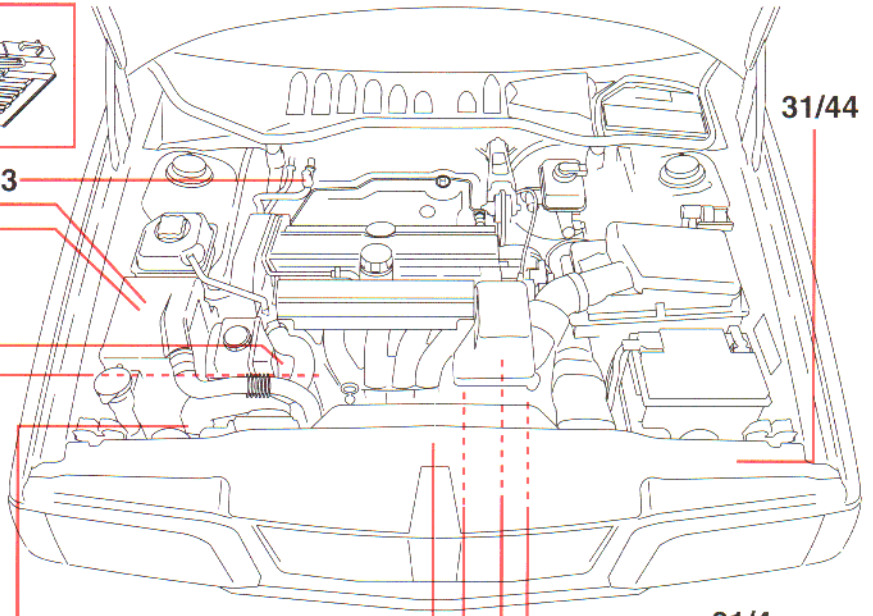
- 7/8
- 8/3
- C/EC
- 31/55
- 2/11
- C/EA
- 6/29







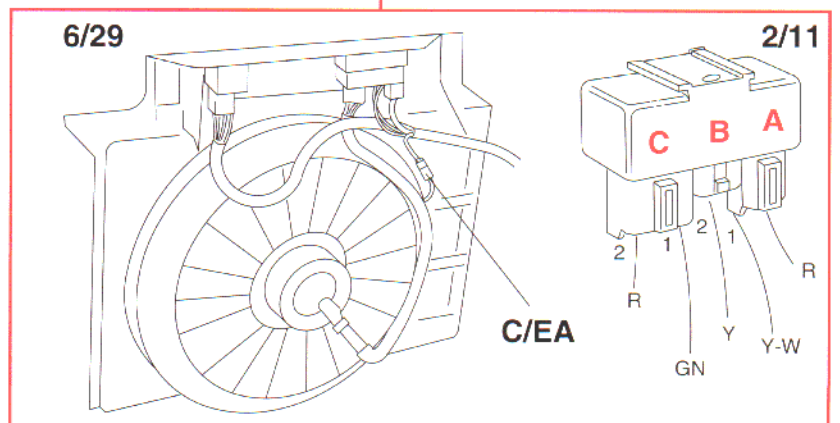
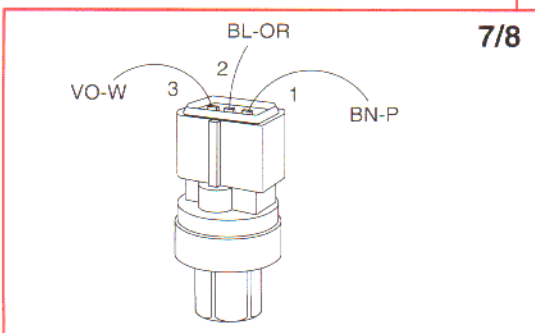
7/53

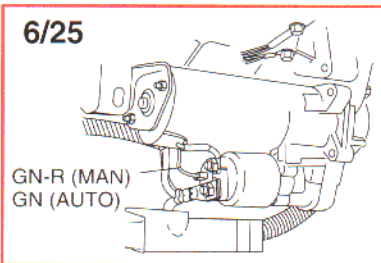
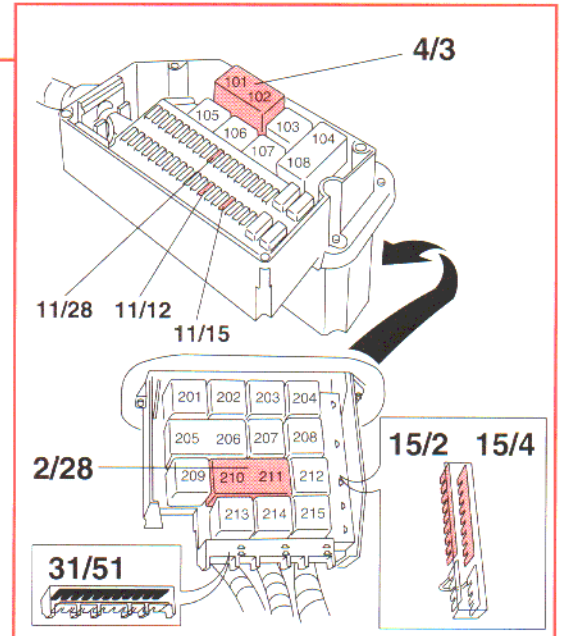
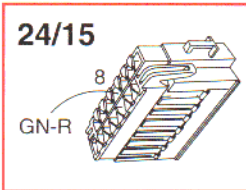
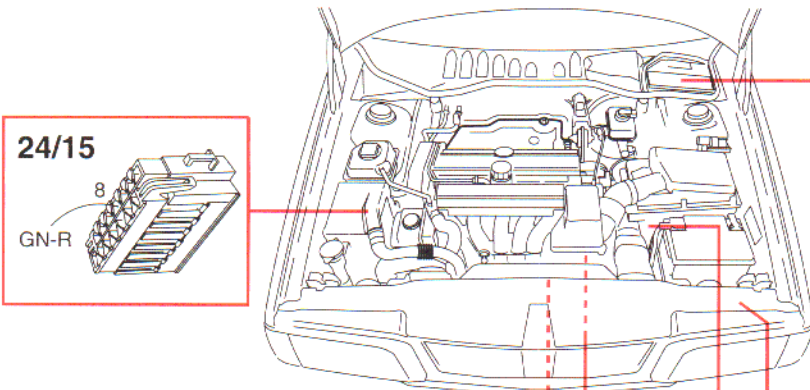
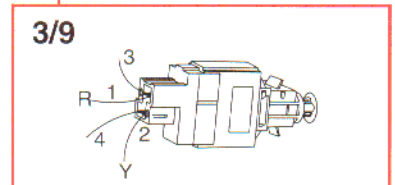
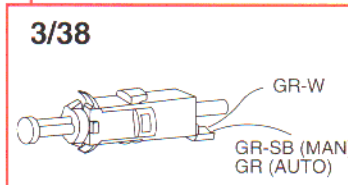
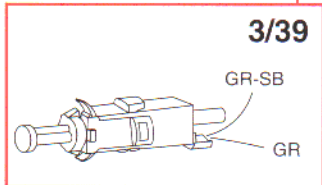
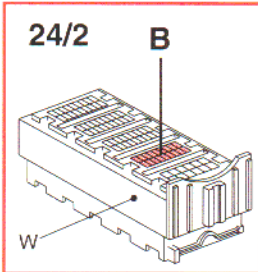
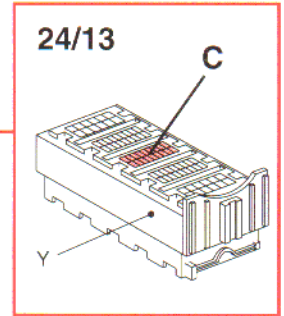
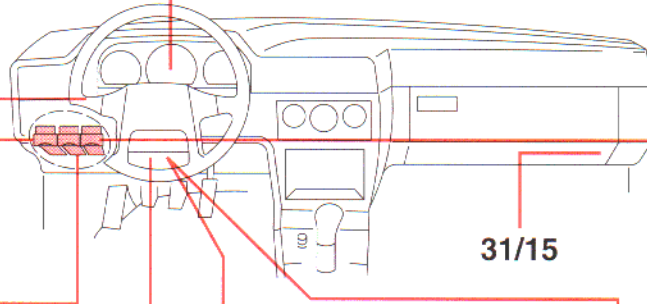
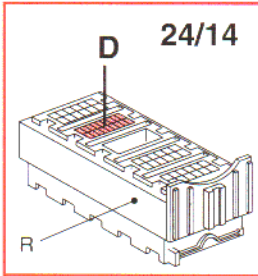
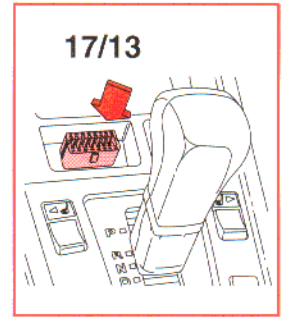
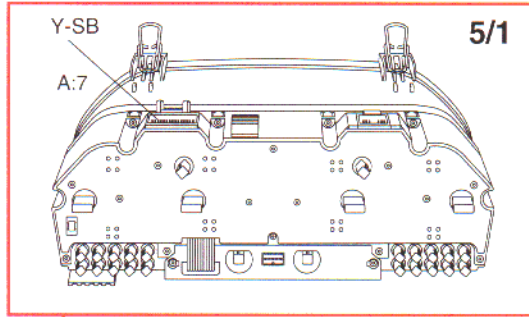
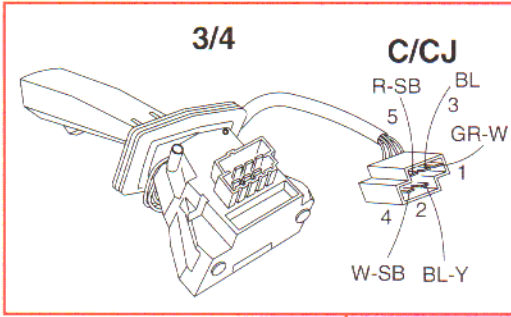


31/4

31/33

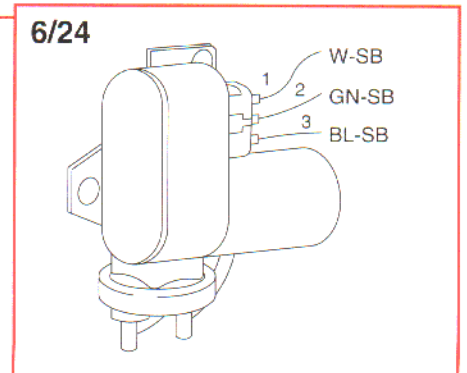
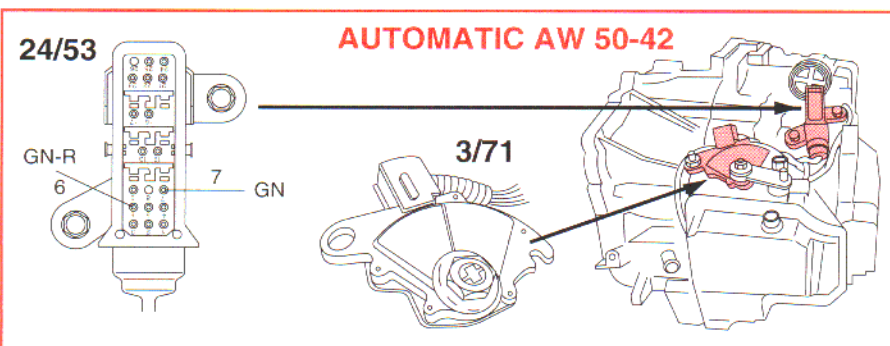
6/25

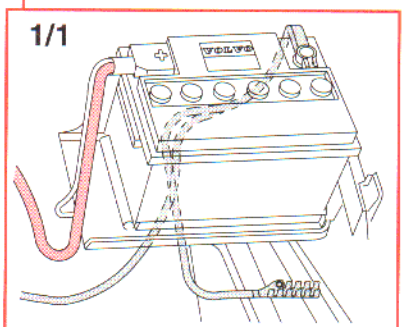
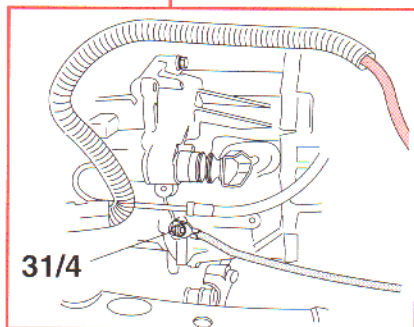
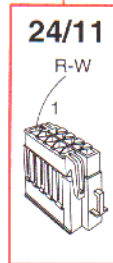
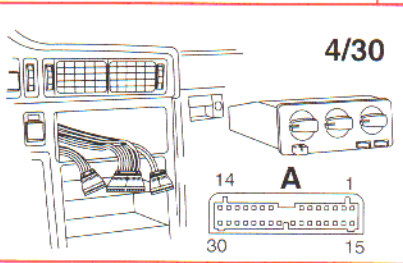
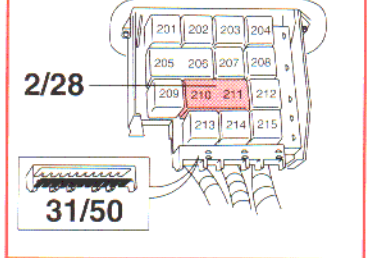
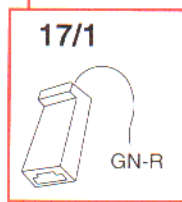
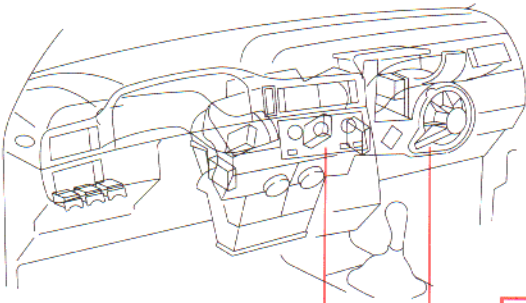
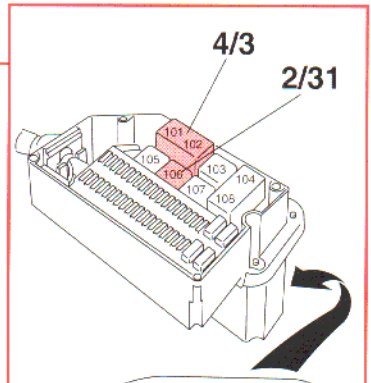
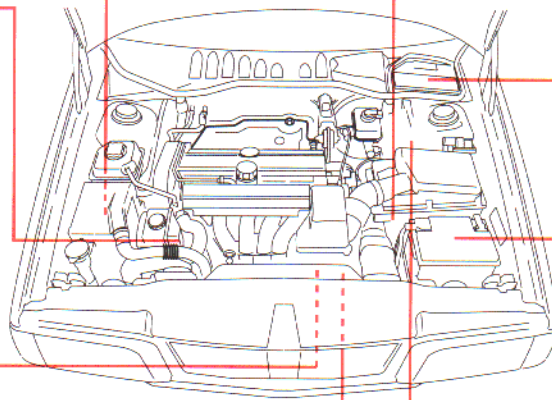
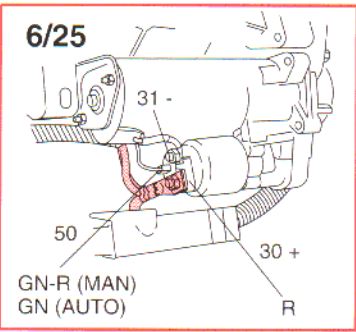
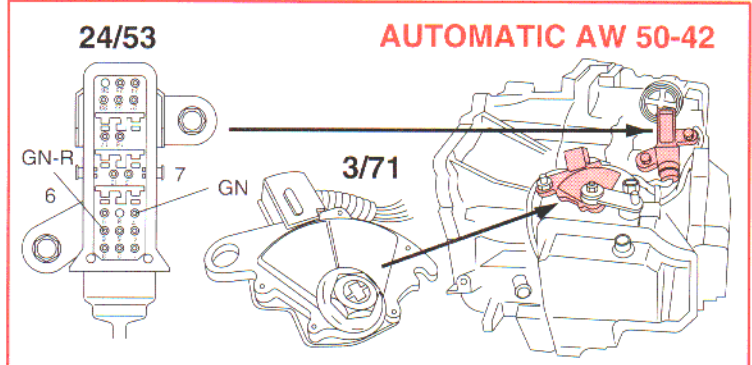
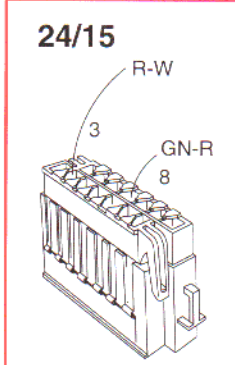
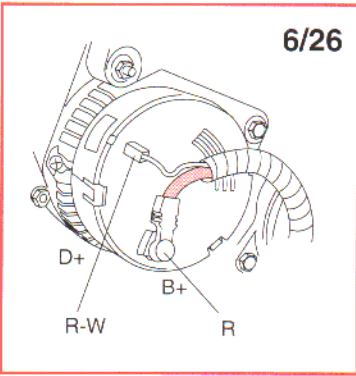
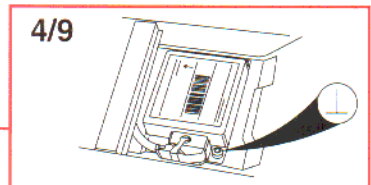
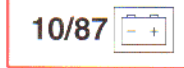
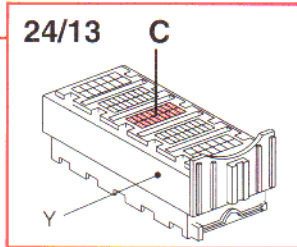
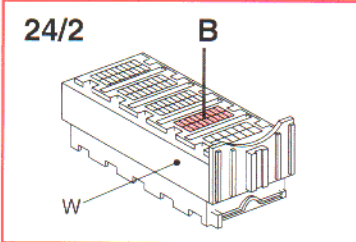
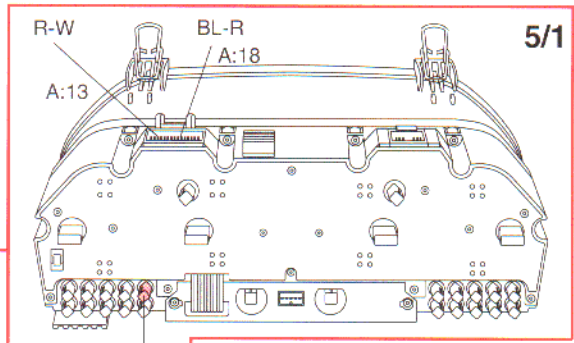
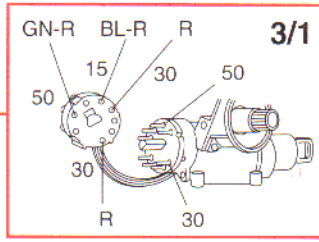
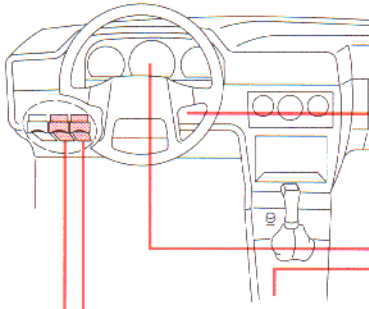


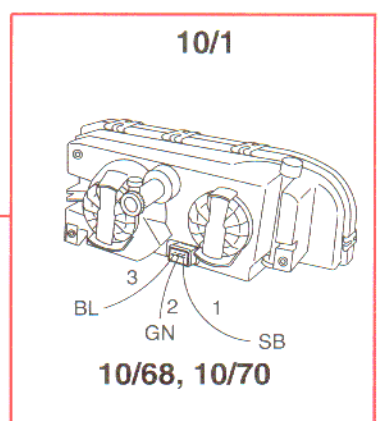
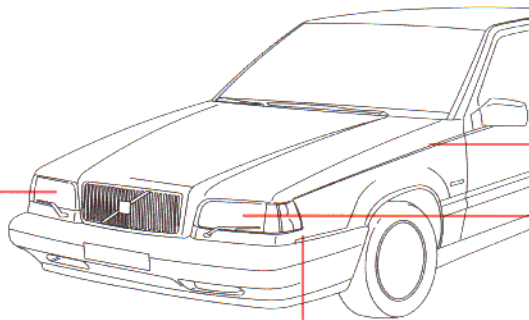
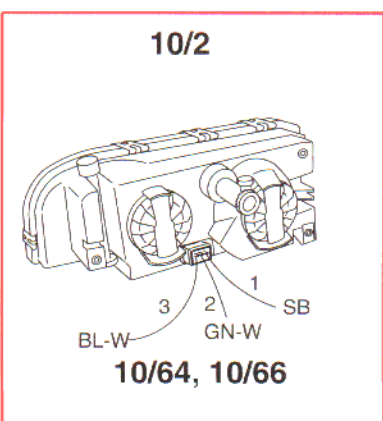
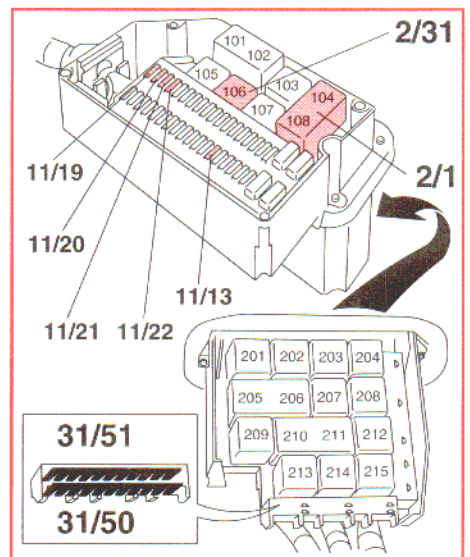
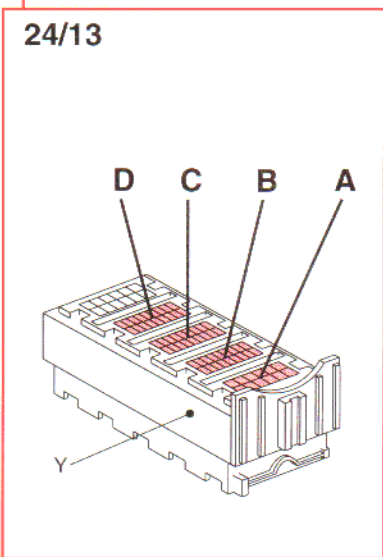
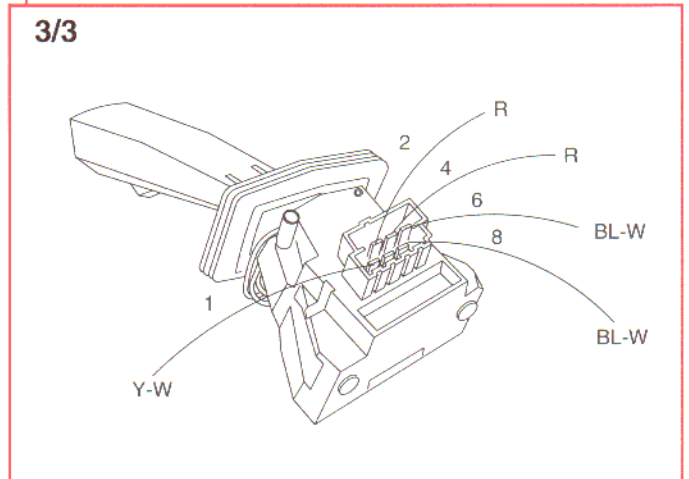
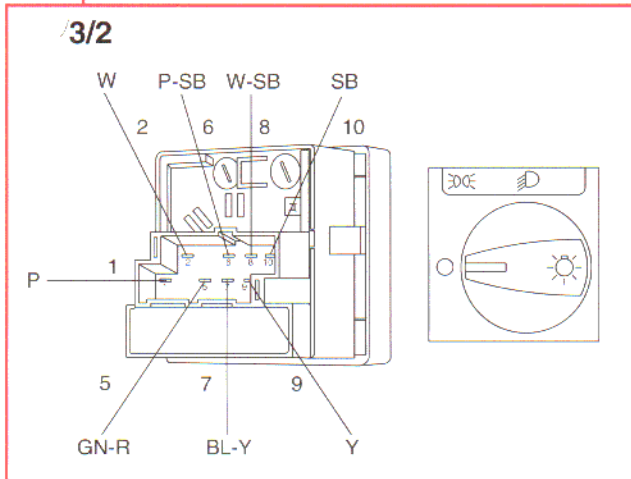
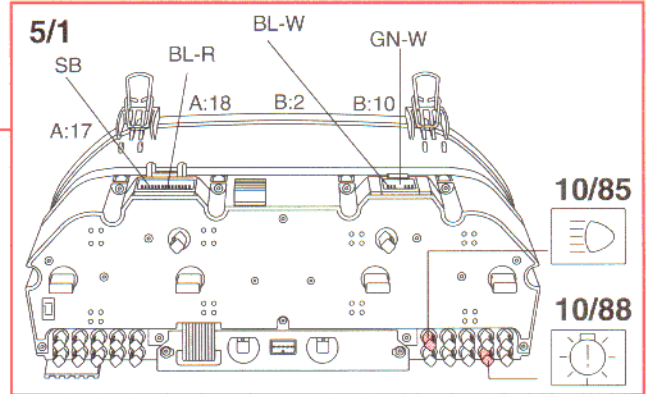
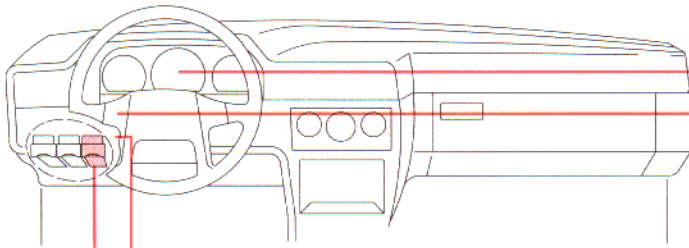


31/4

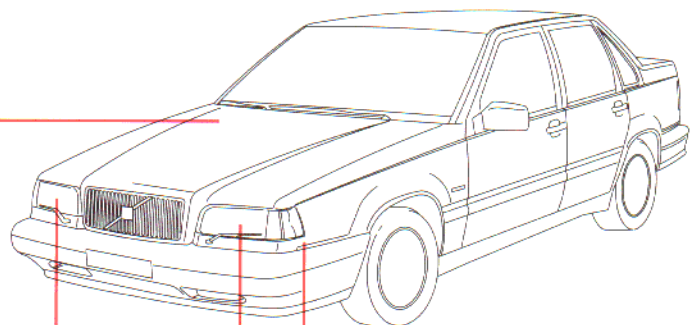
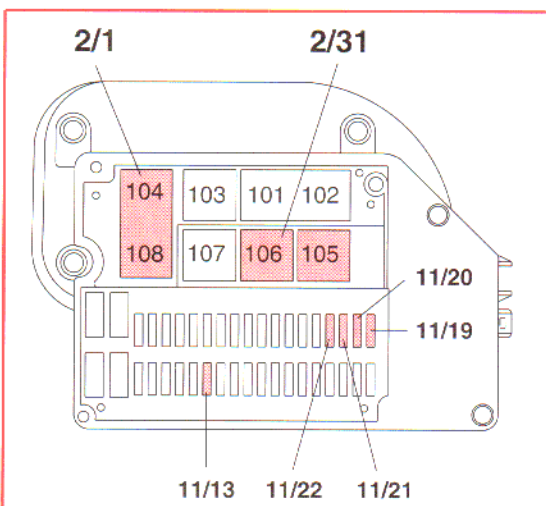
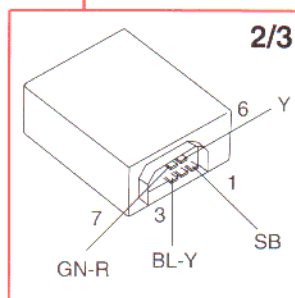
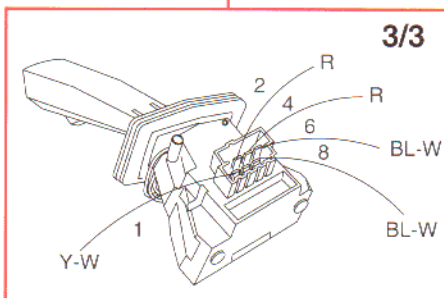
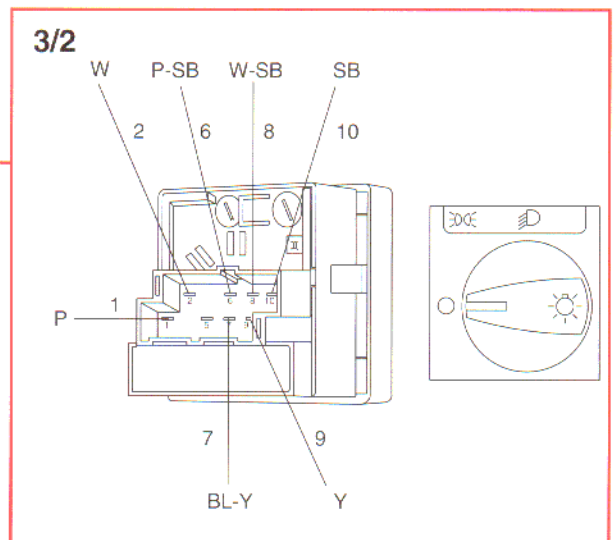
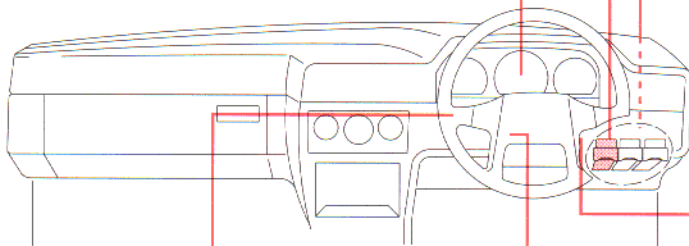
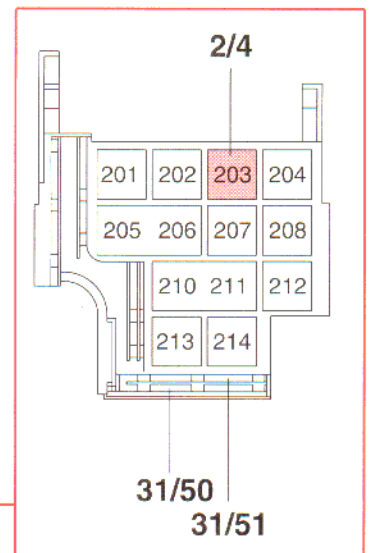
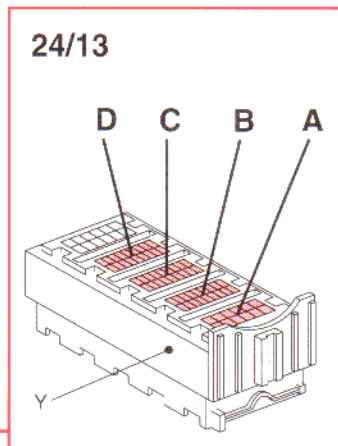
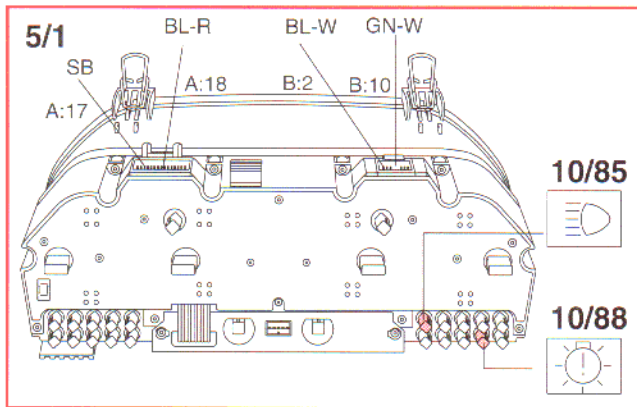
31/44



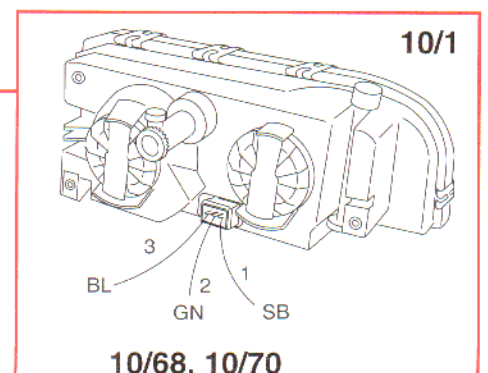
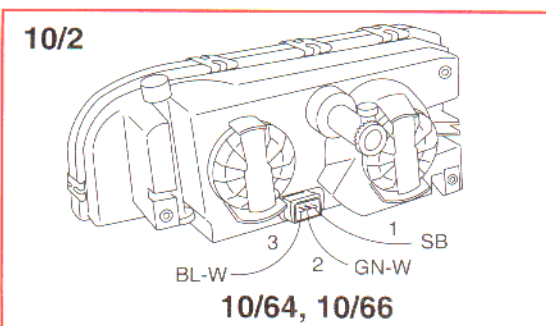


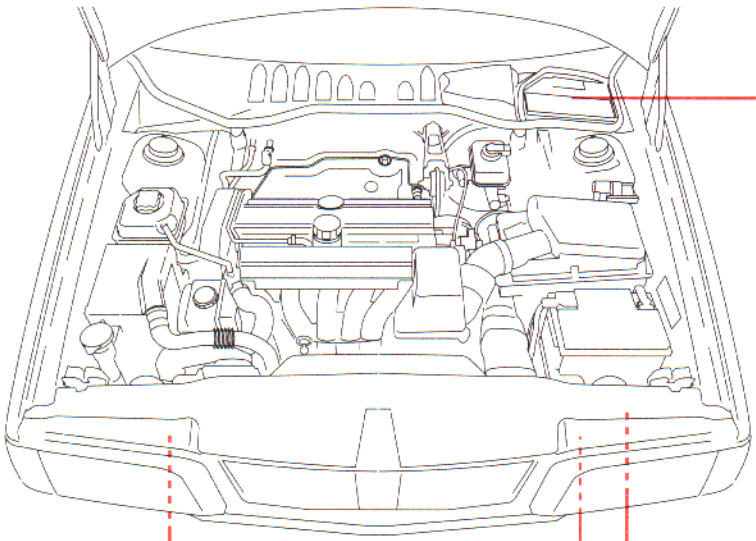
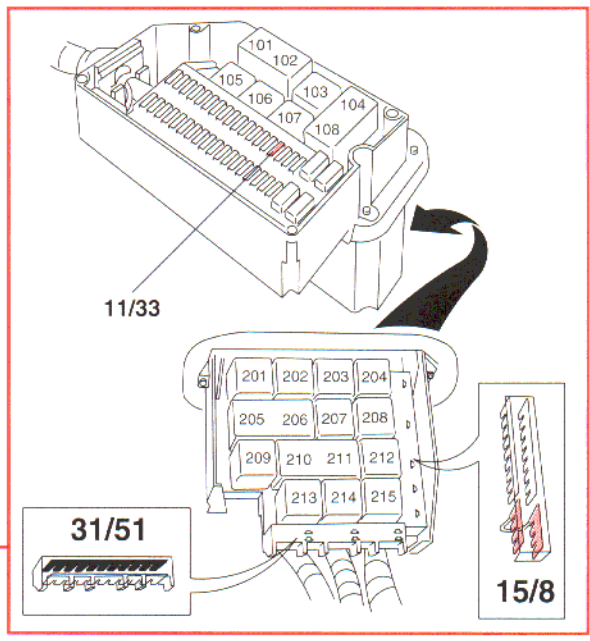
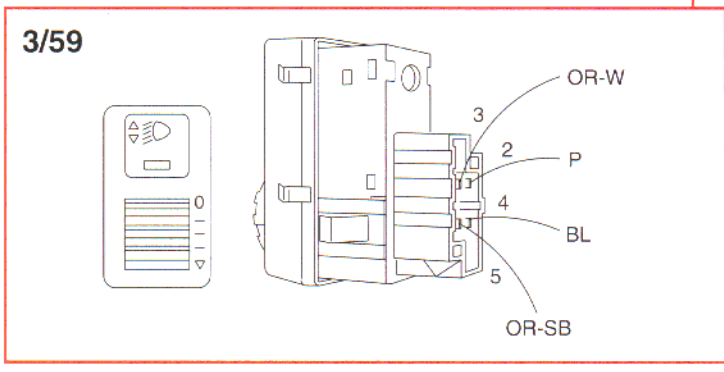
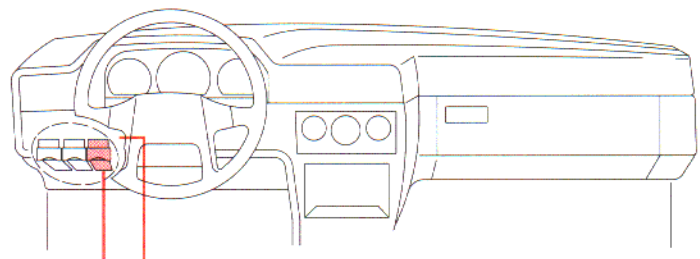
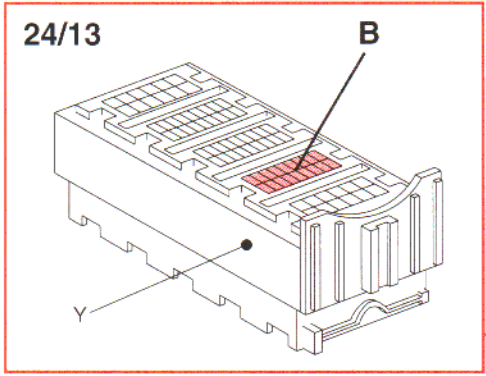


31/44

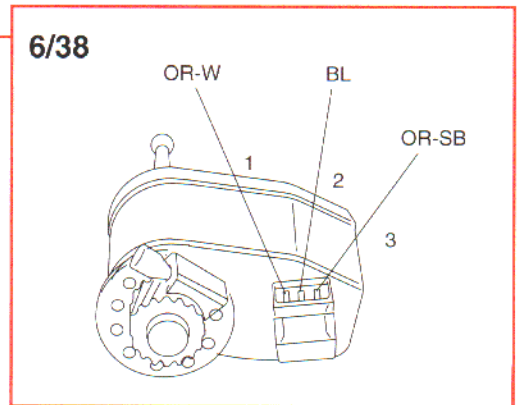
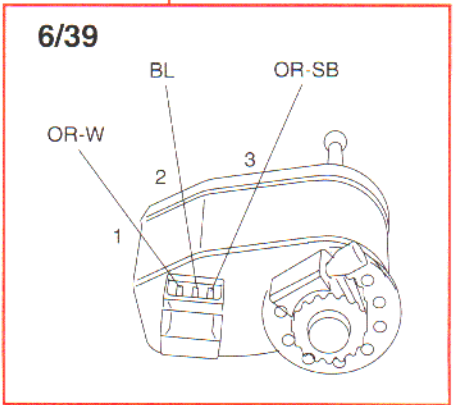


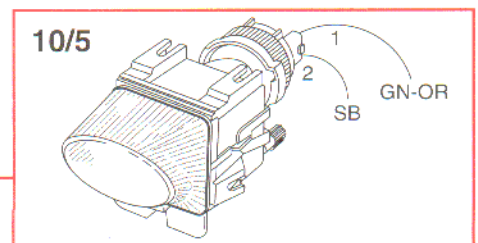
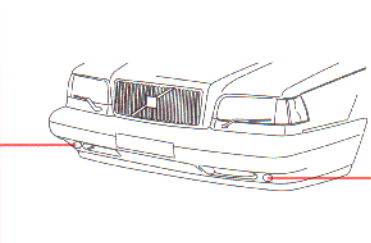
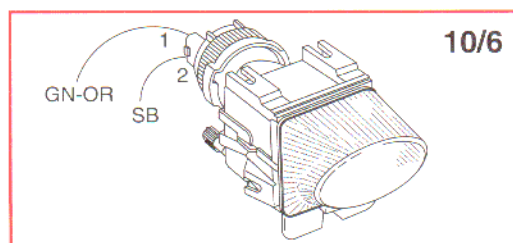
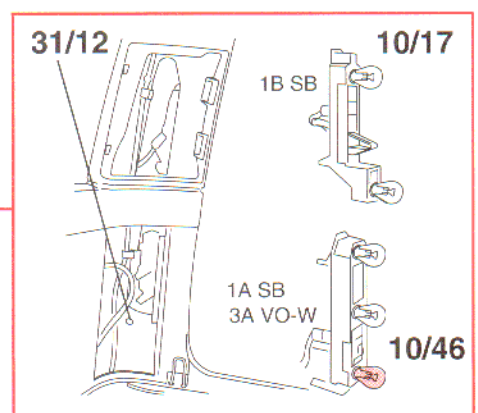
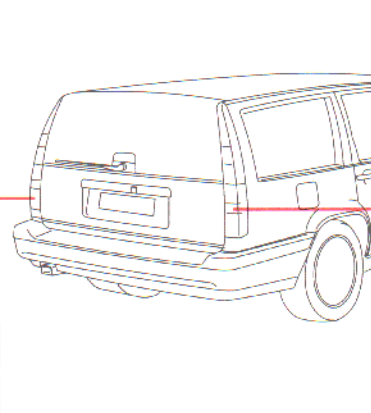
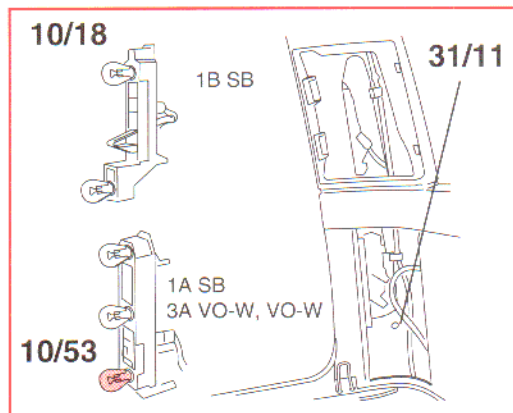
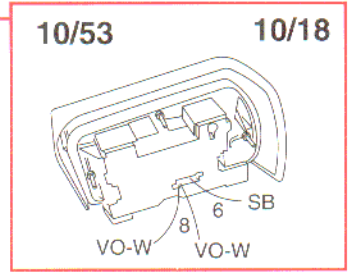
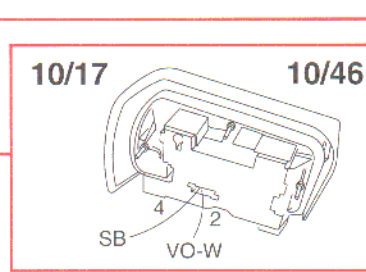
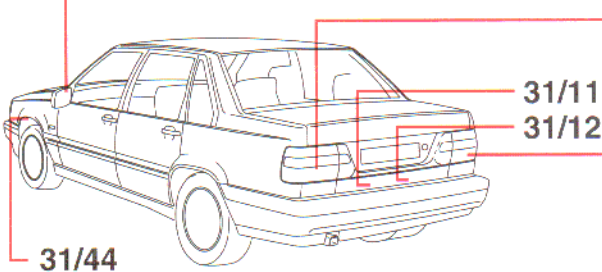
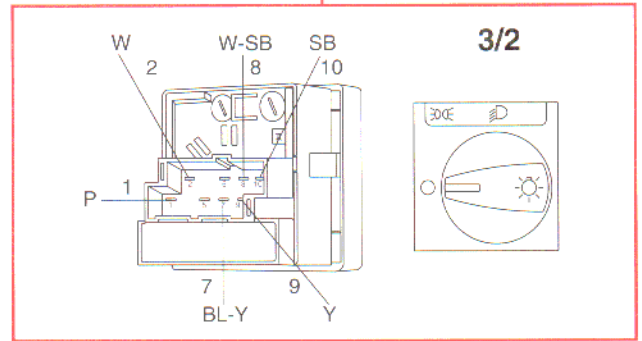
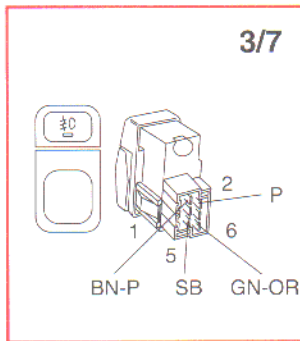
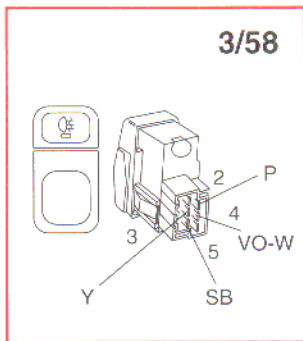
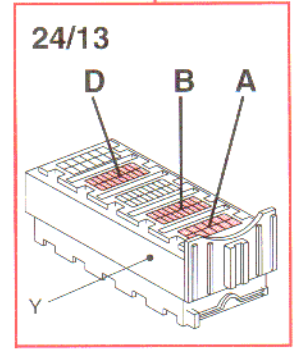
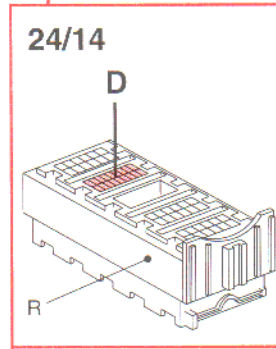
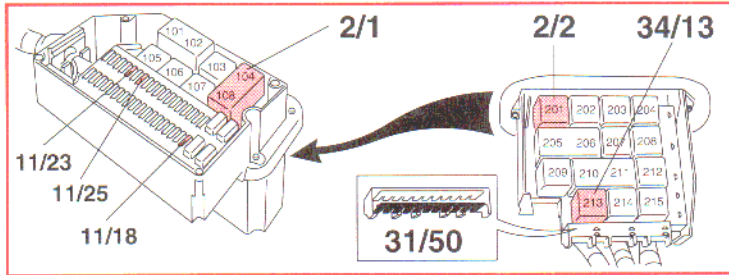
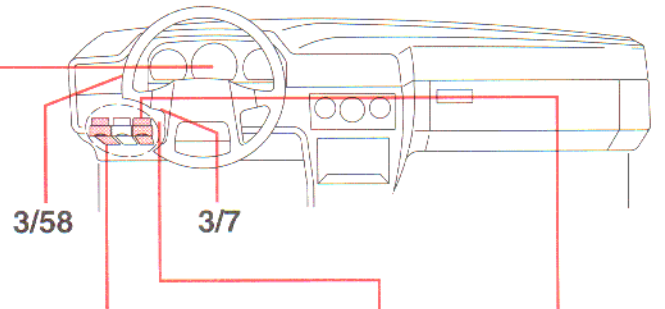
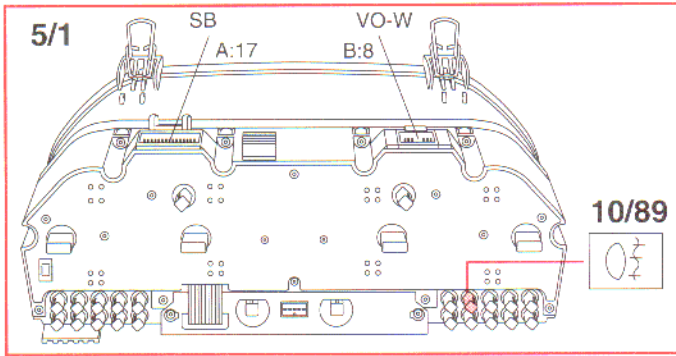
31/44

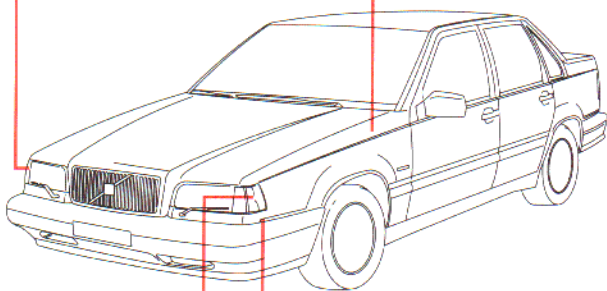
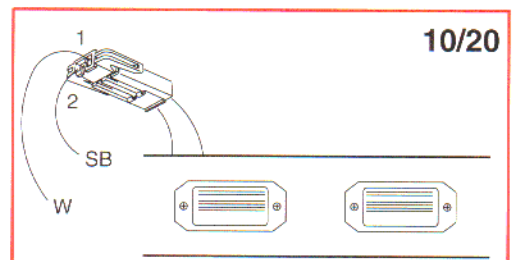
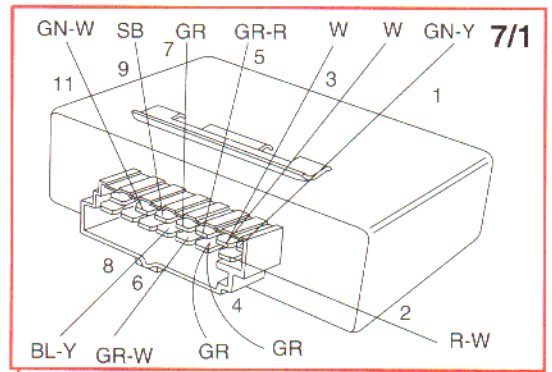
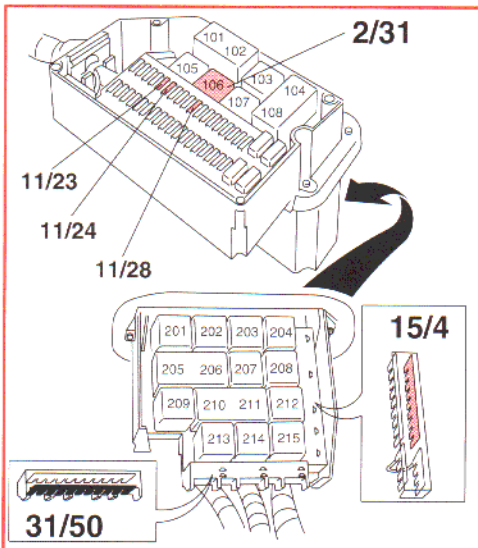
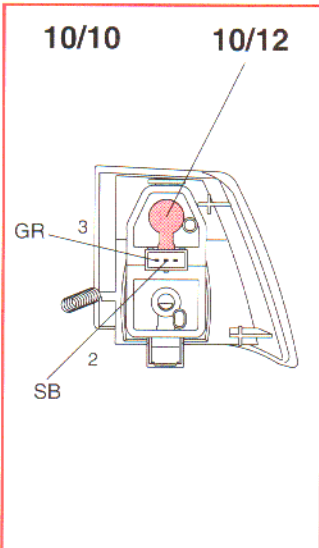
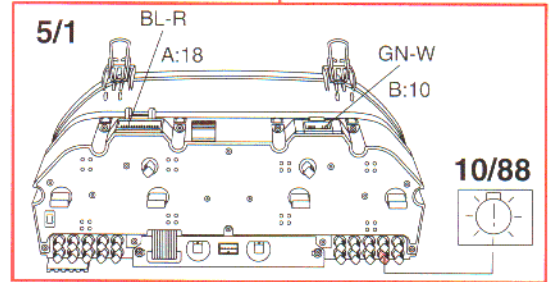
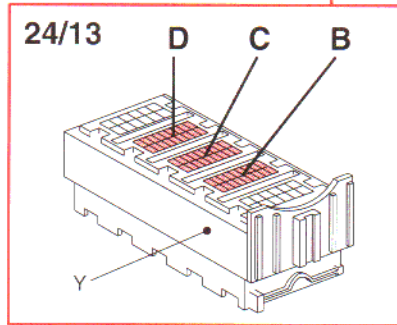
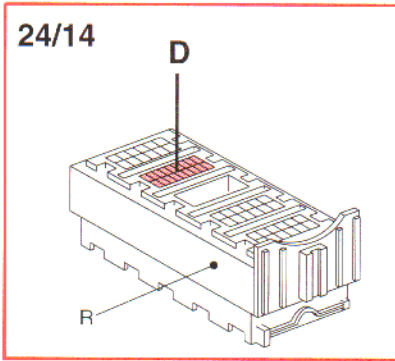
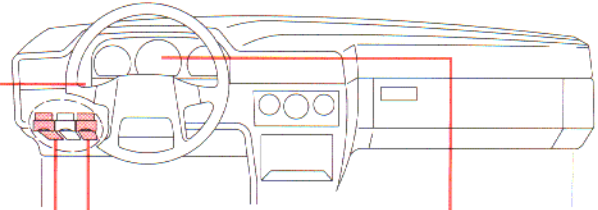
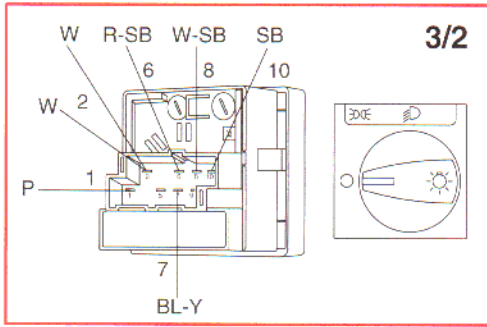




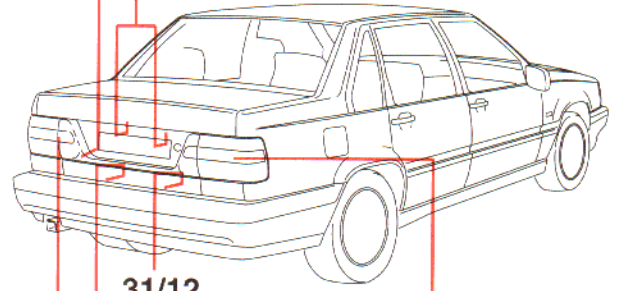
31/44



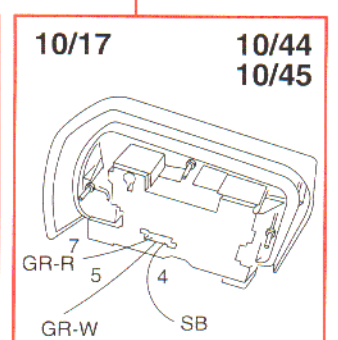
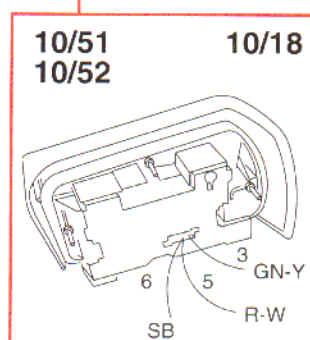
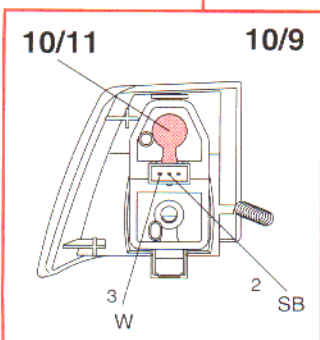


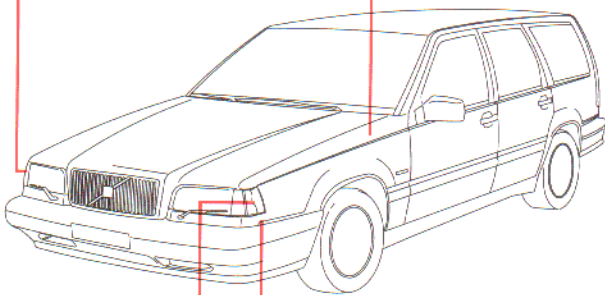
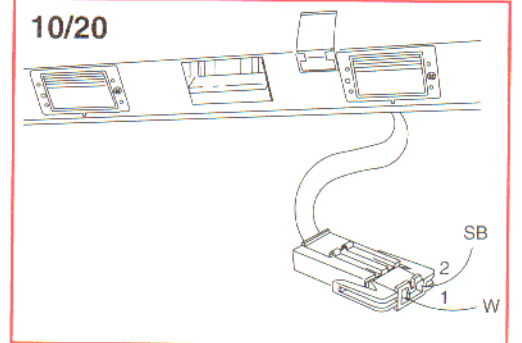
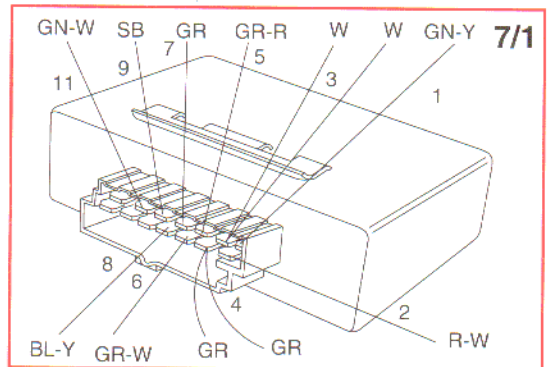
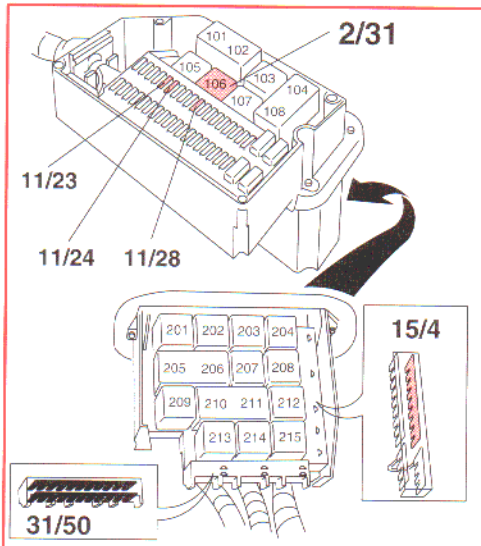
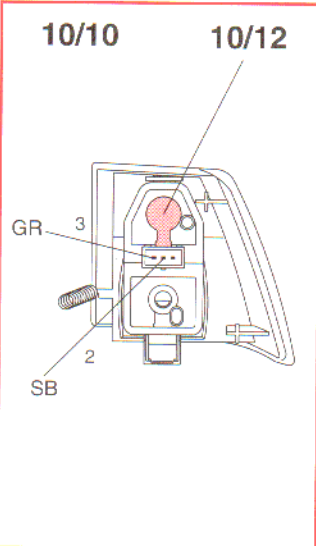
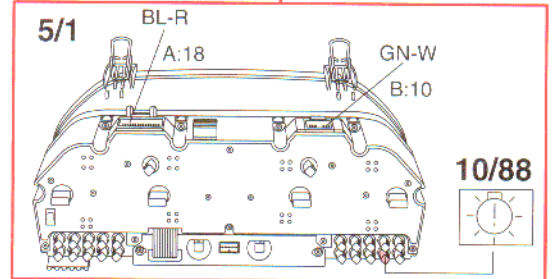
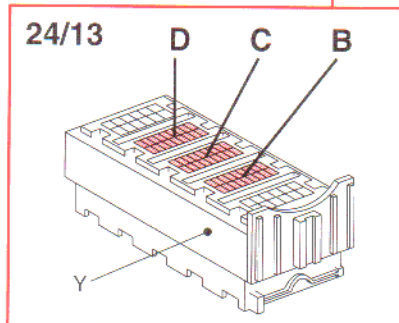
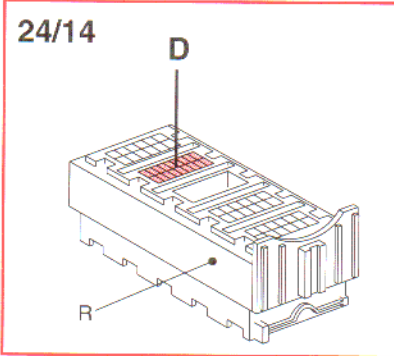
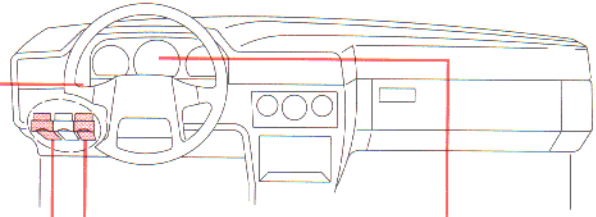
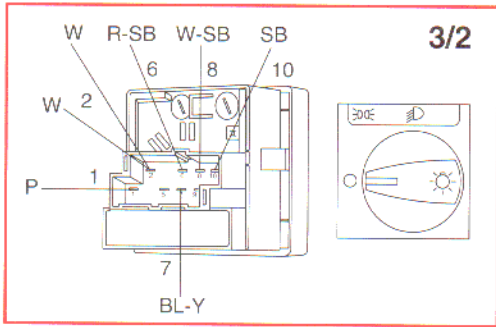


31/44

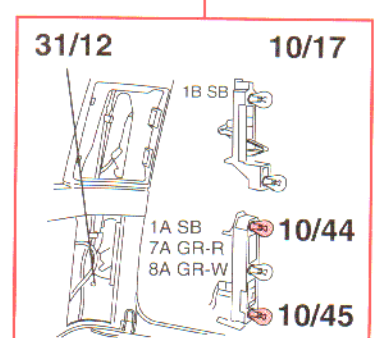
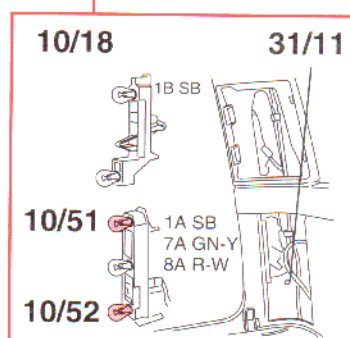
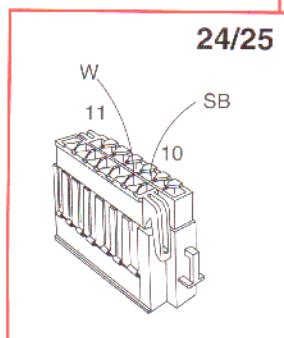
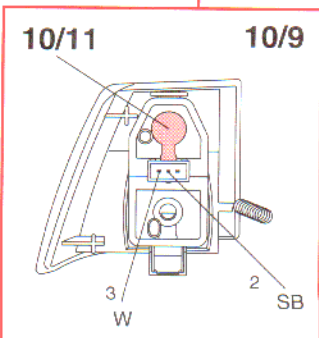
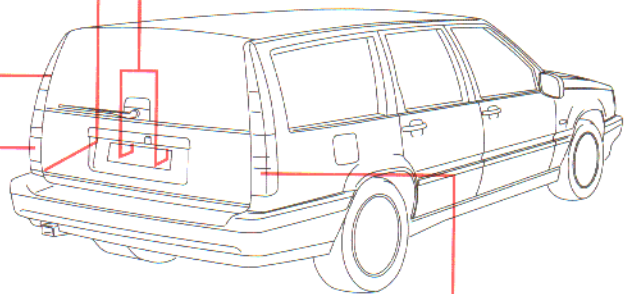


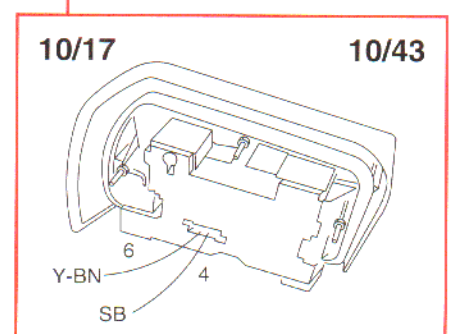
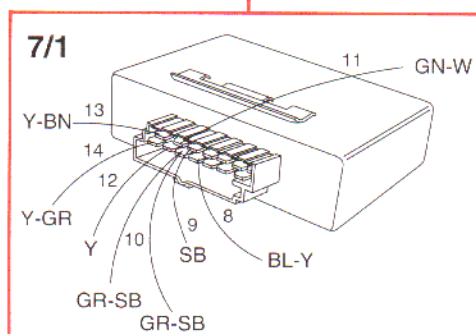
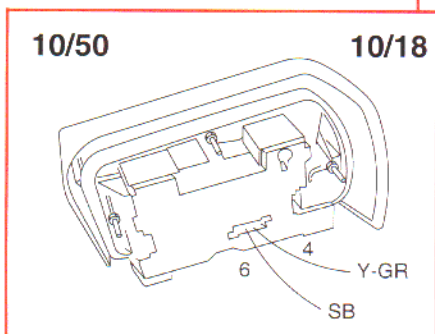
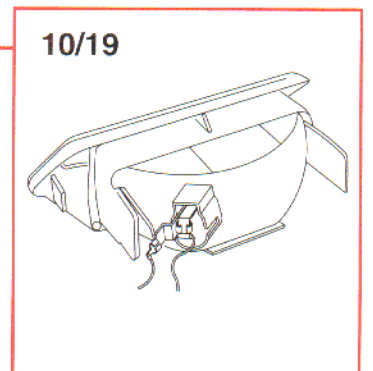
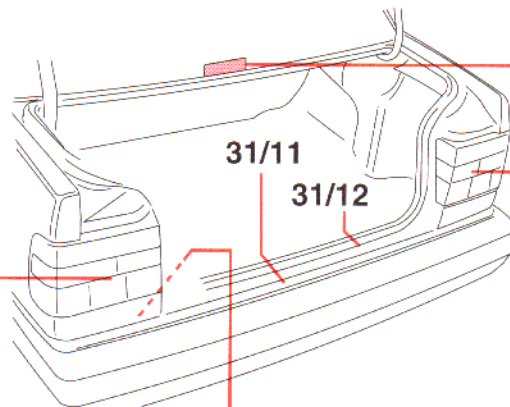
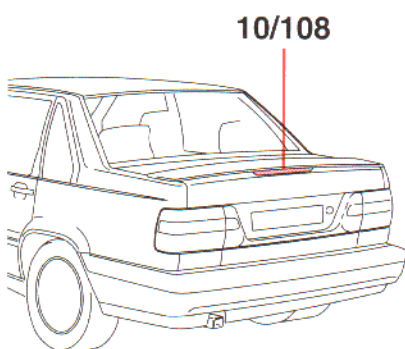
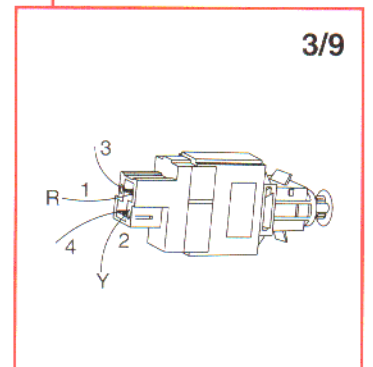
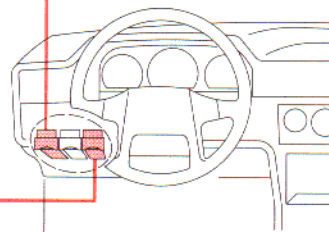
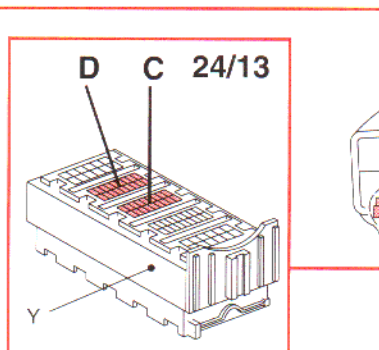
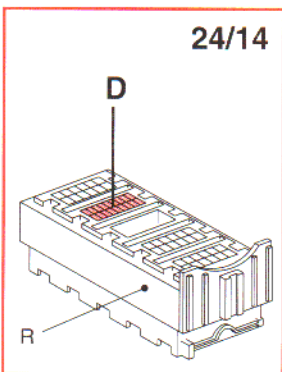
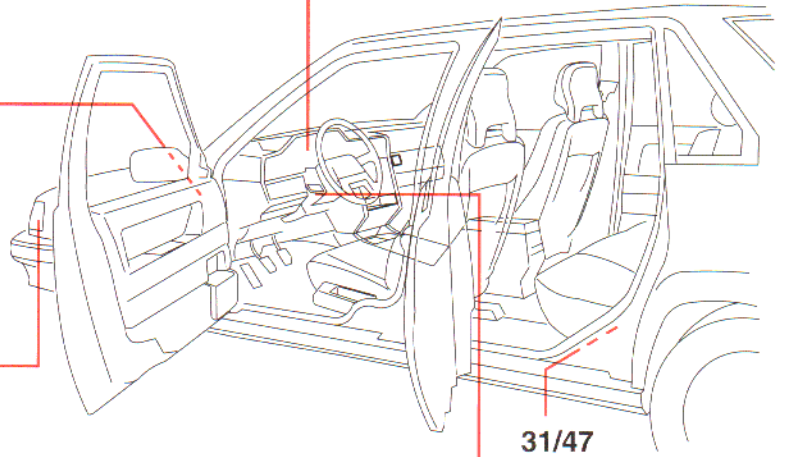
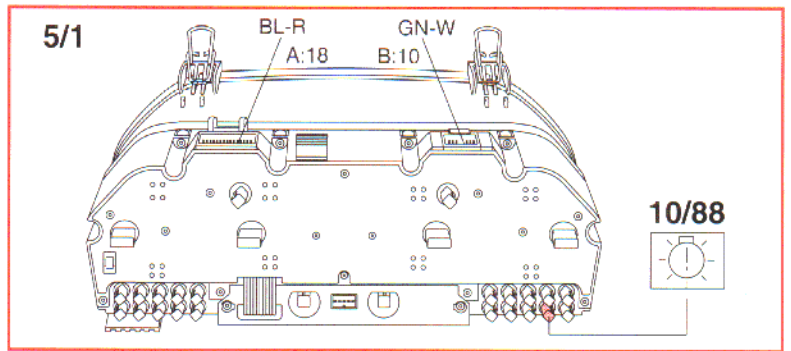
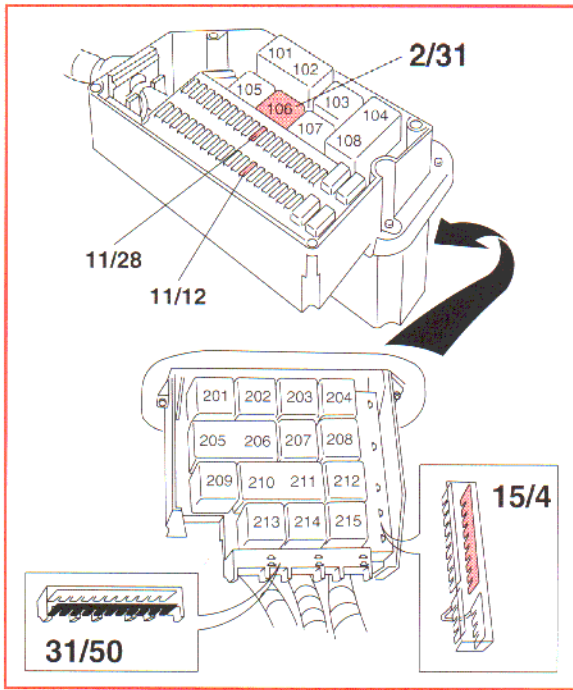
31/12
31/11

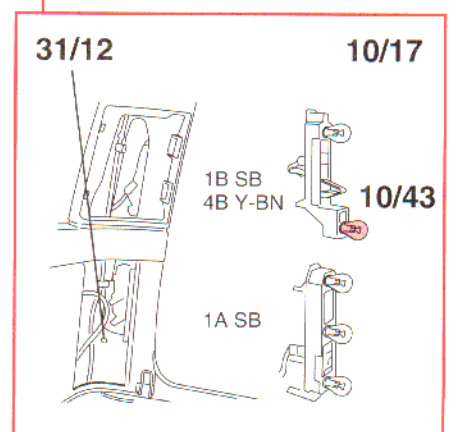
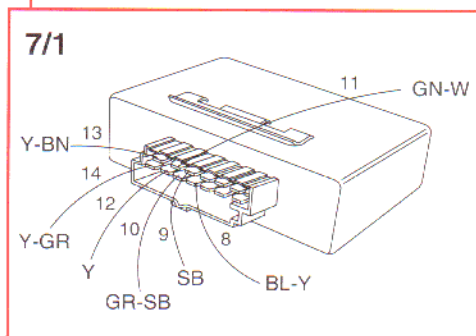
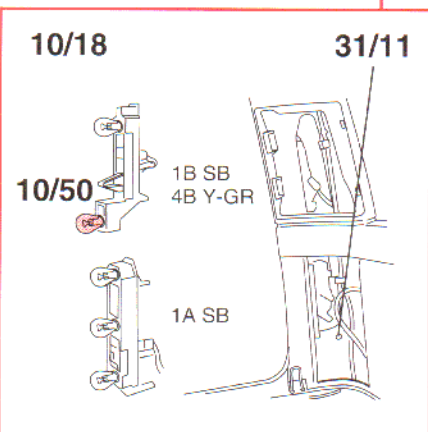
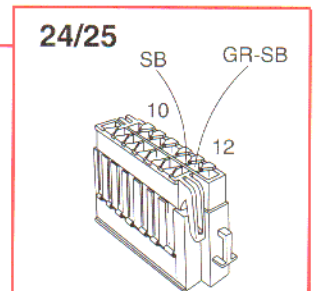
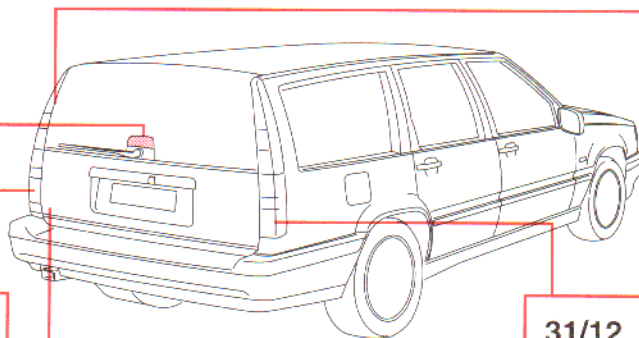
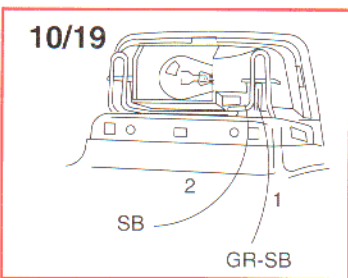
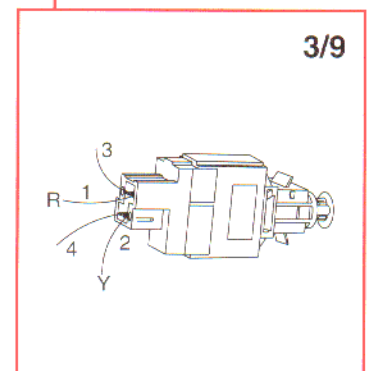
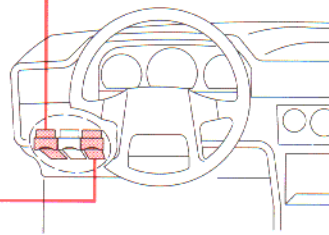
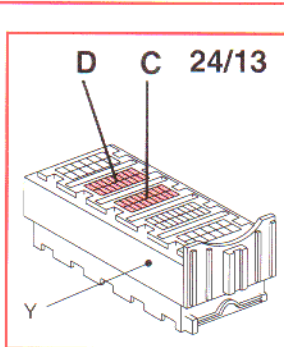
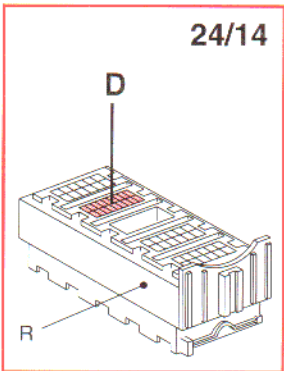
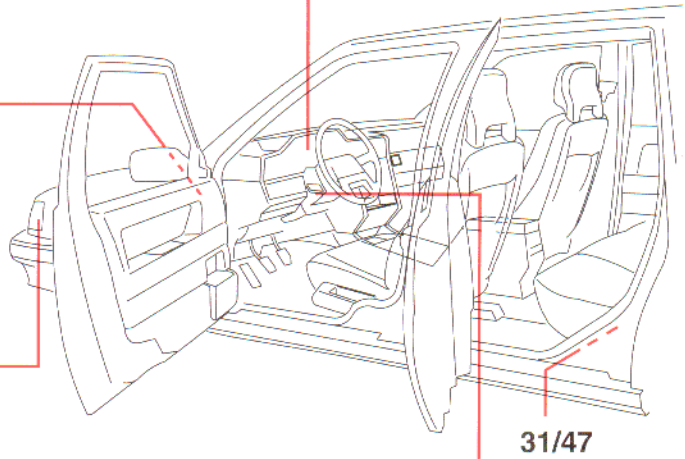
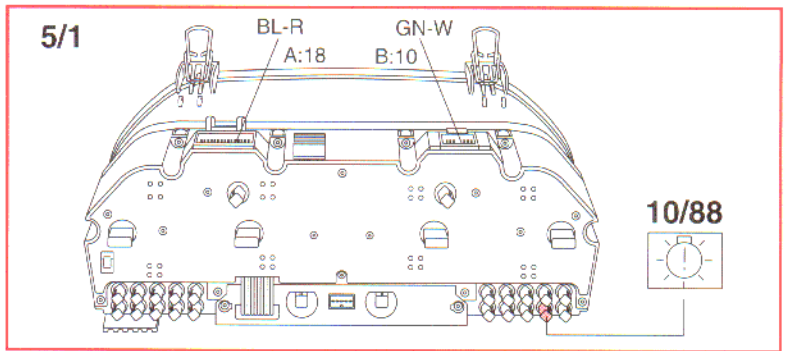
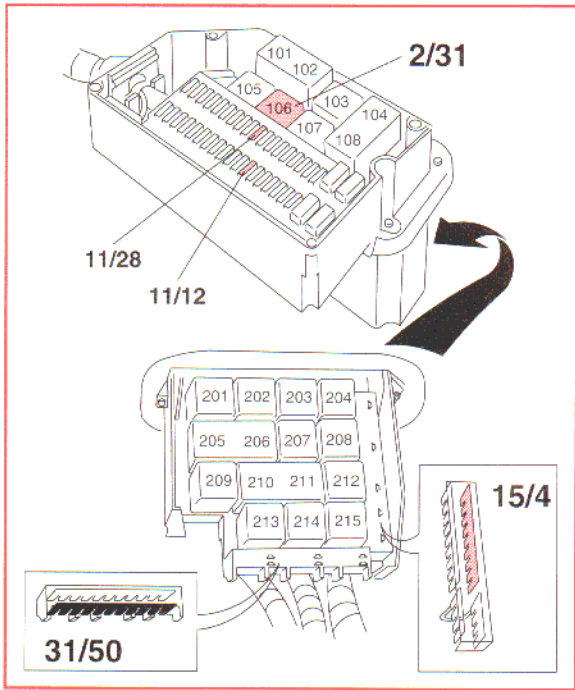


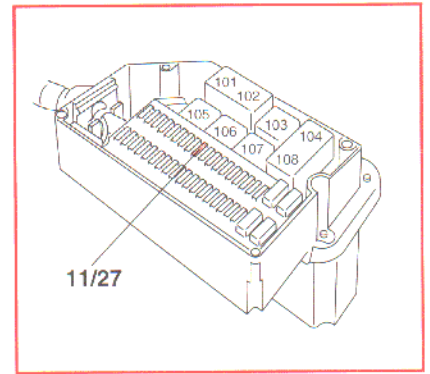
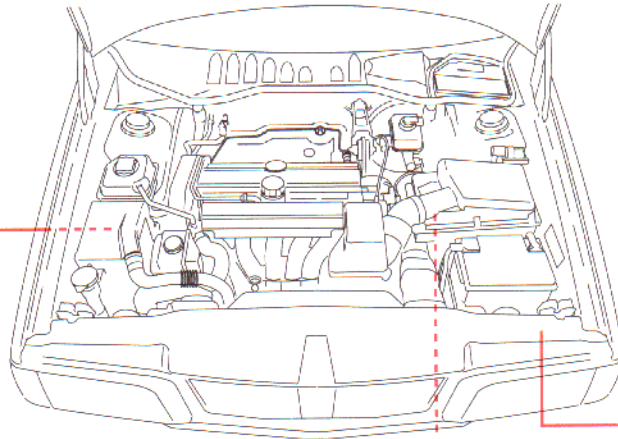
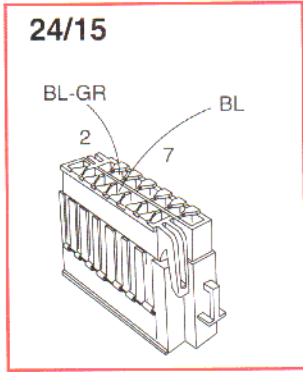


31/44

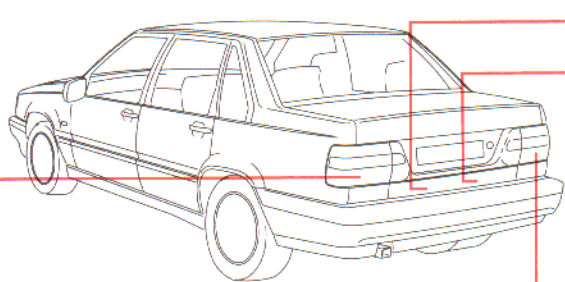
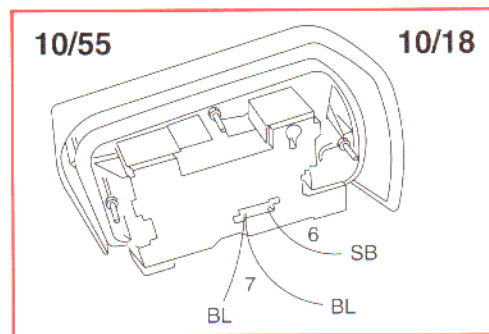
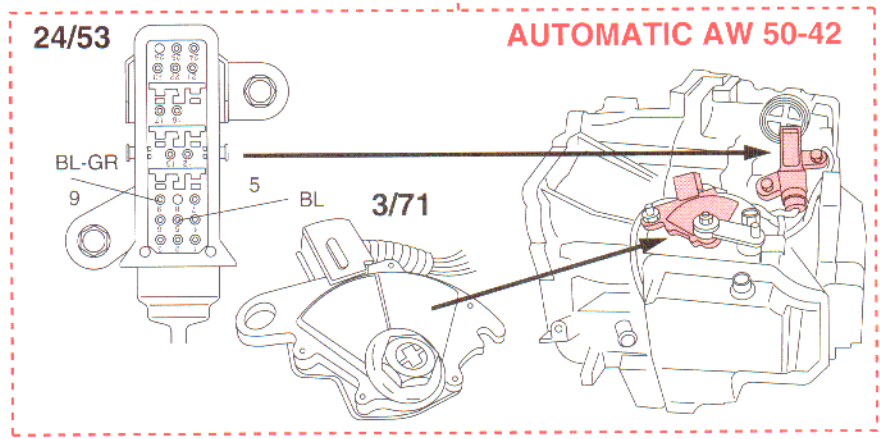
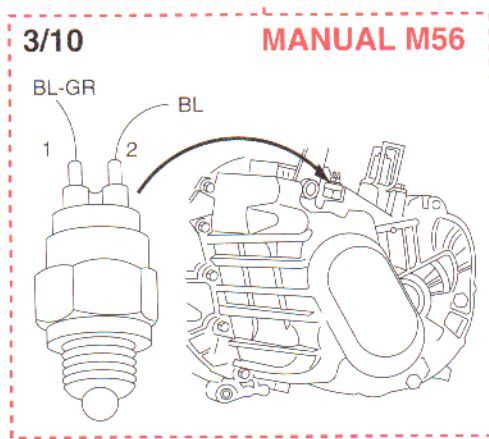




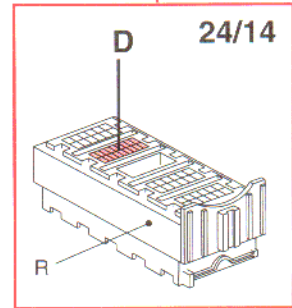
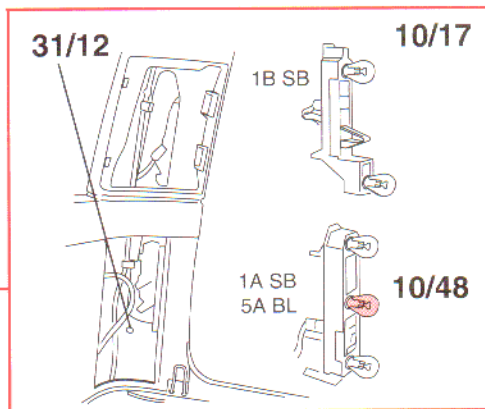
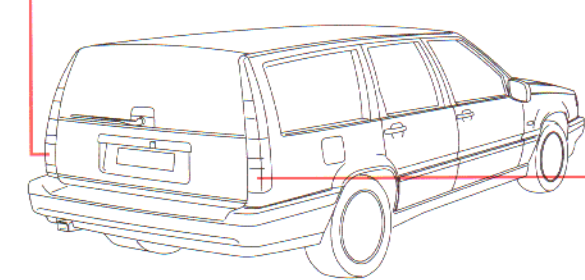
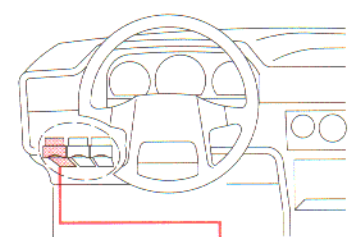
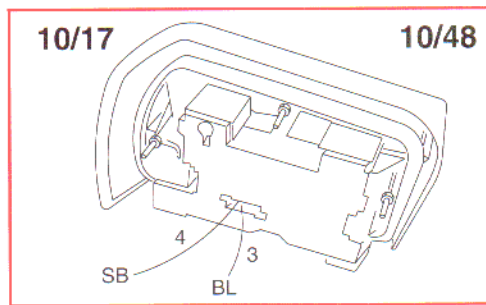
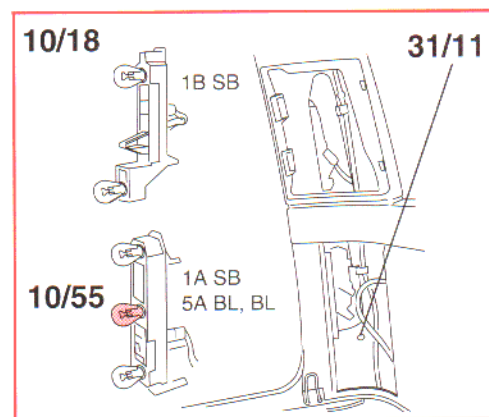


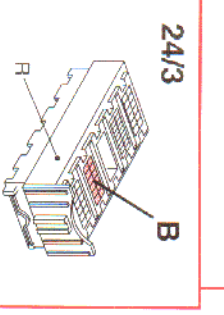
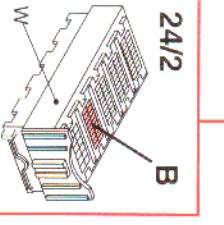
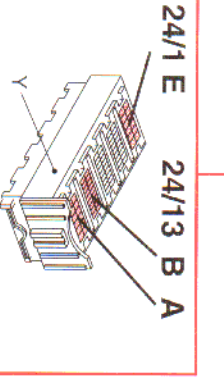
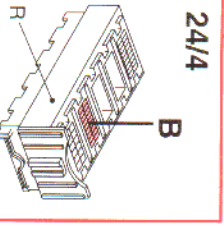
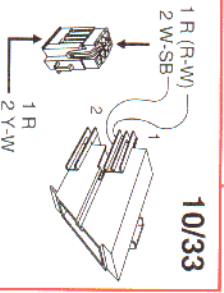
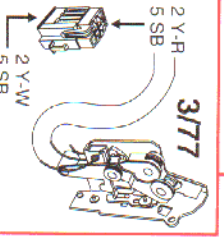
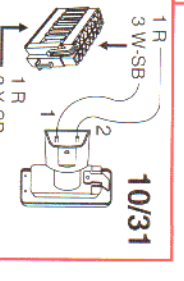
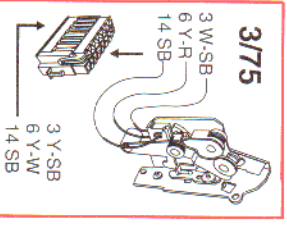
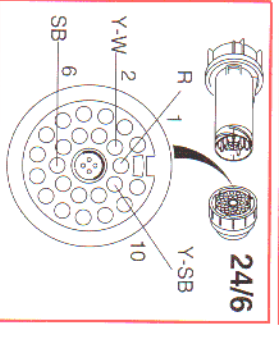
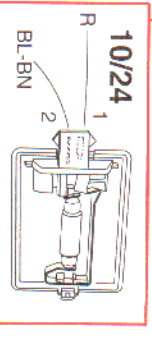
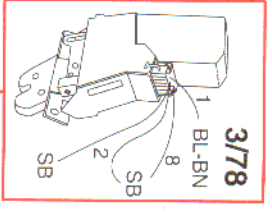
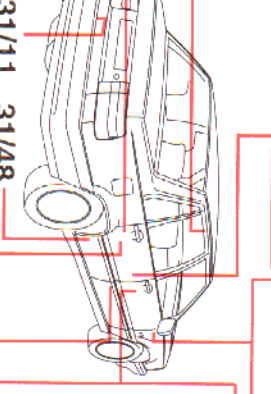
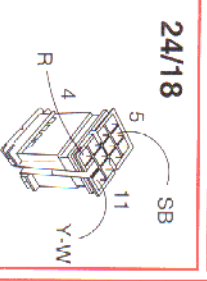
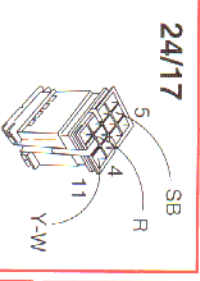
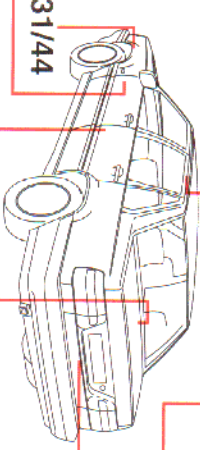
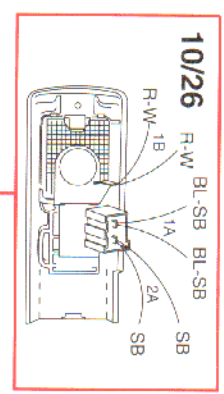
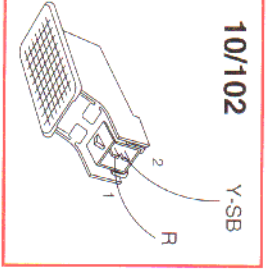
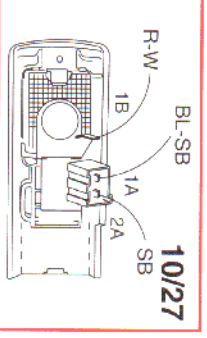
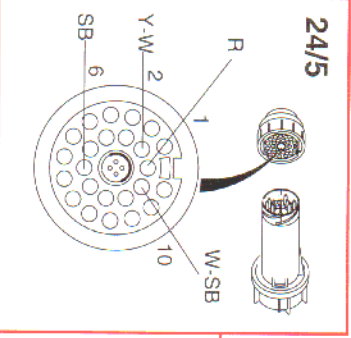
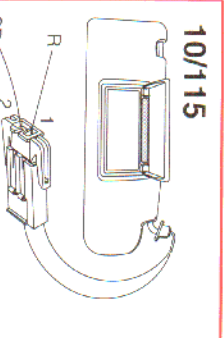
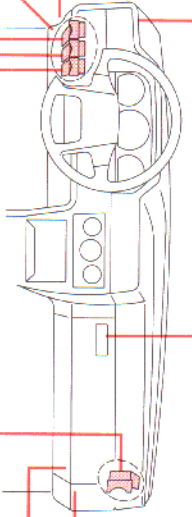
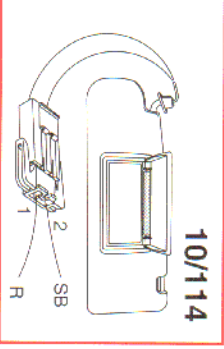
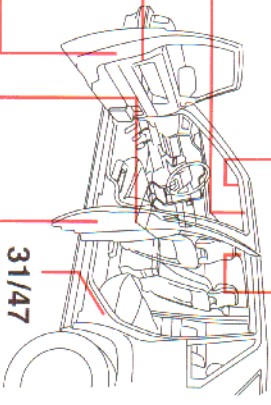
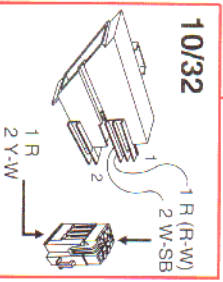
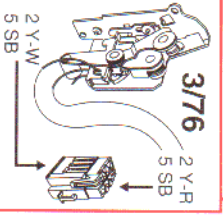
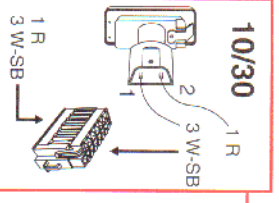
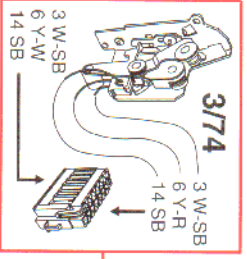
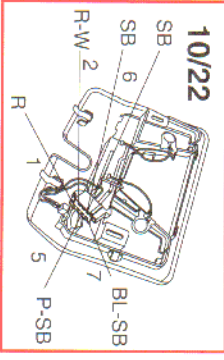
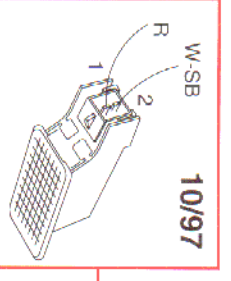
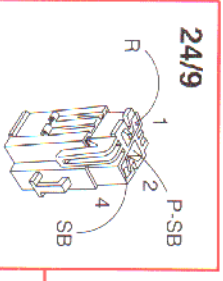
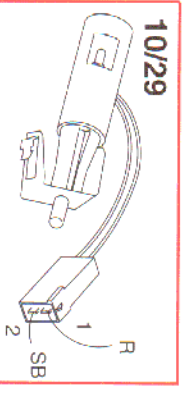
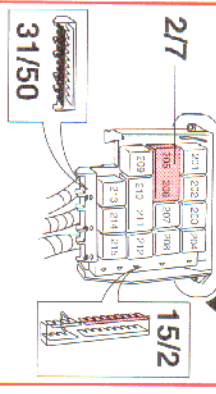
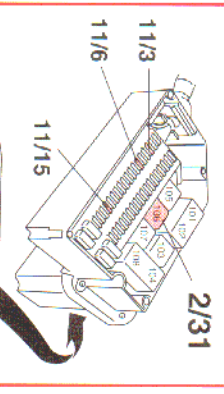


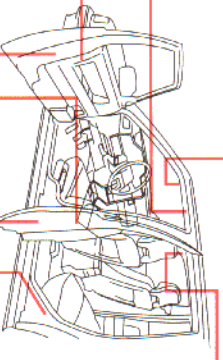
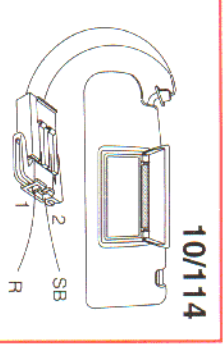
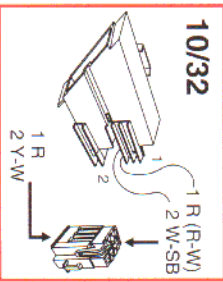
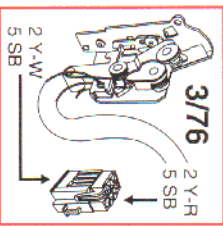
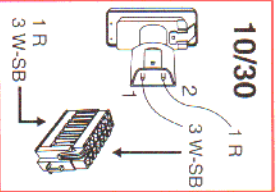
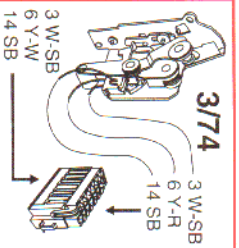
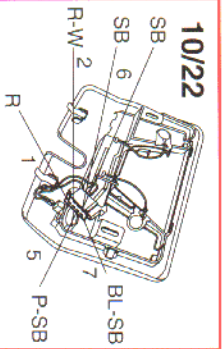
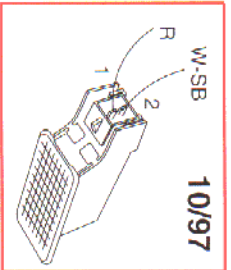
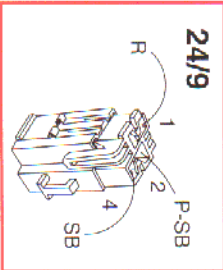
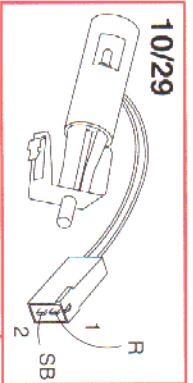
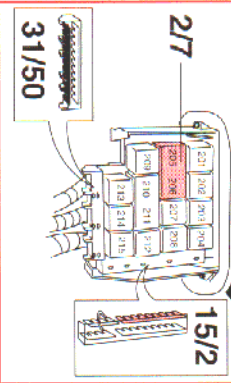
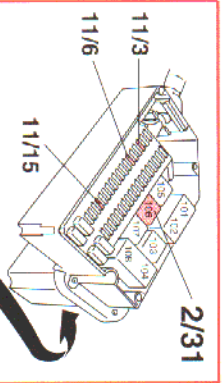
31/44



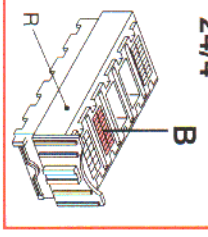
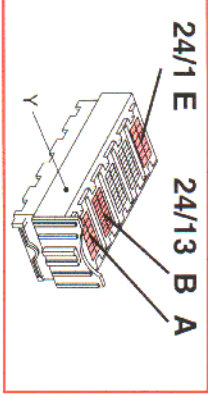
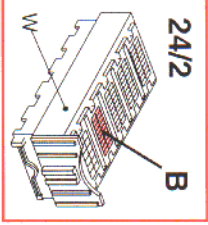
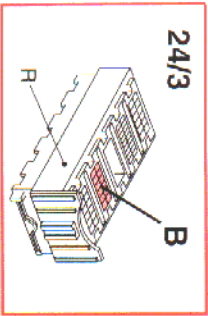
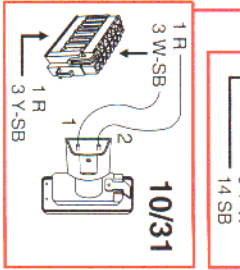
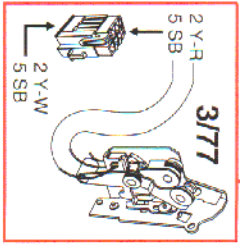
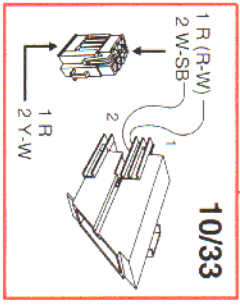
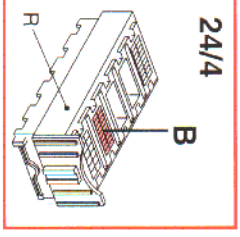
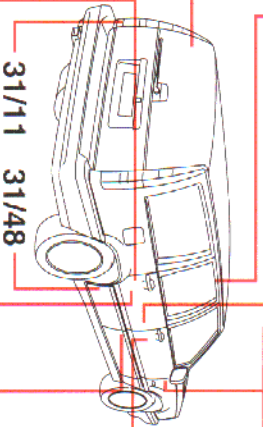
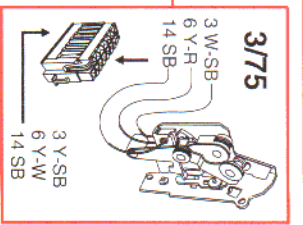
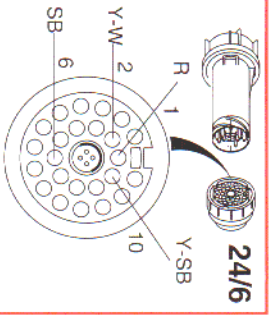
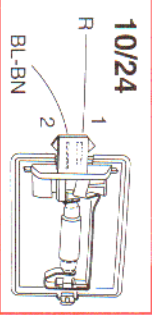
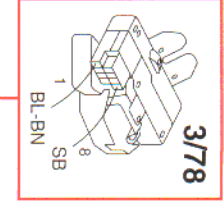
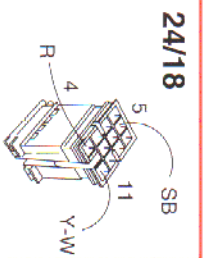
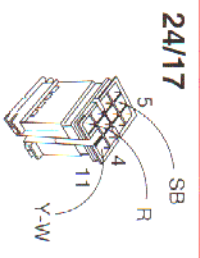
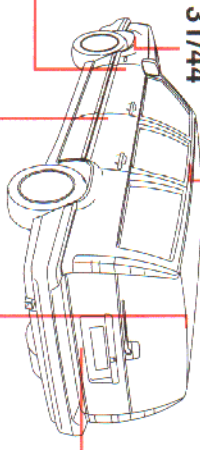
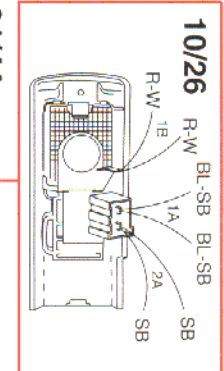
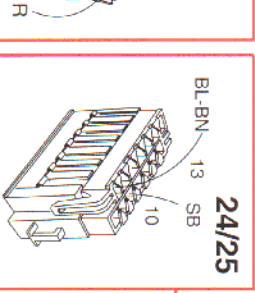
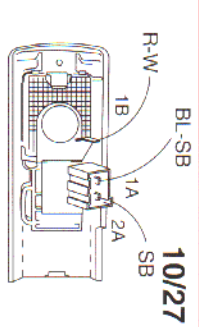
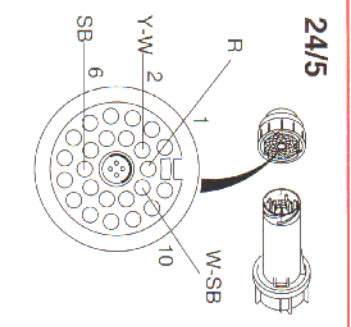
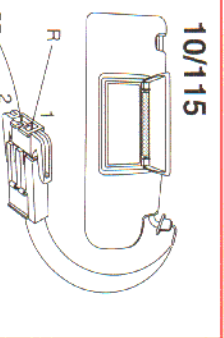
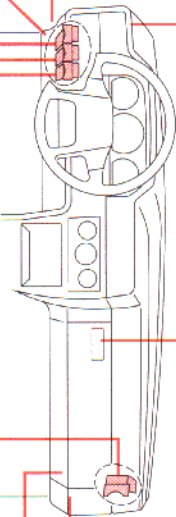
31/11
31/12

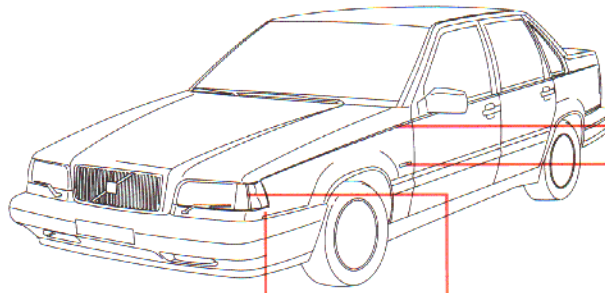




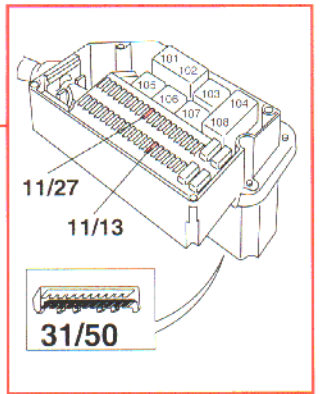


31/15



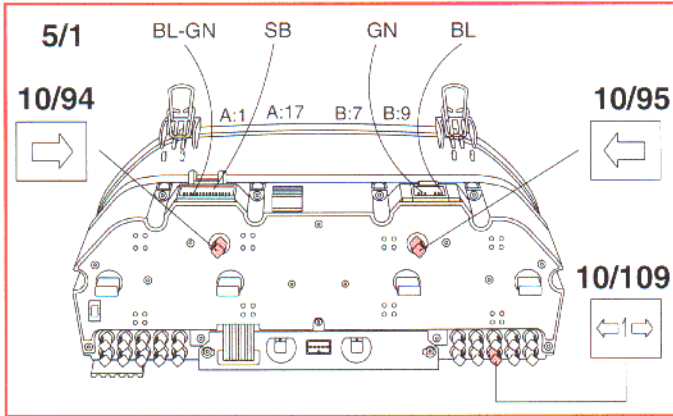


31/44



11/27
11/13

31/50

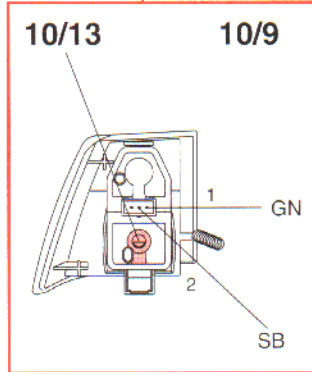


5/1

10/94

10/95

10/109

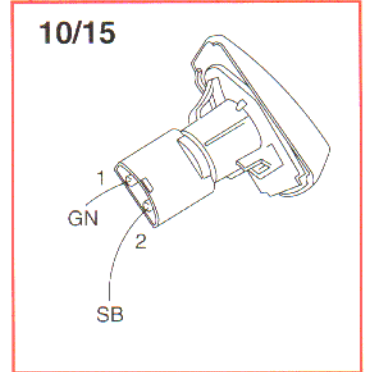


10/13

10/9

GN

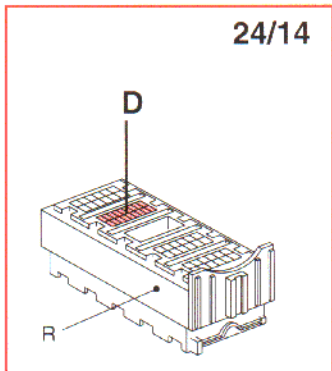
SB



10/15

GN

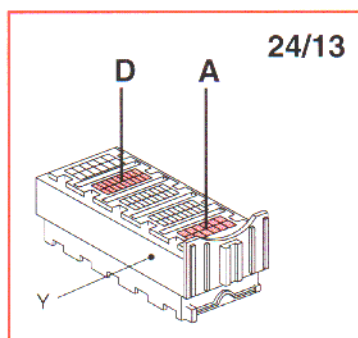
SB



24/14

D

R

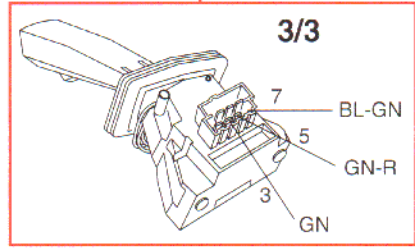
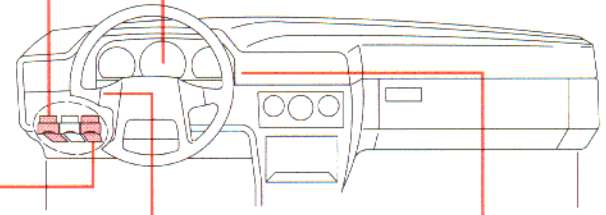


24/13

D

A

Y

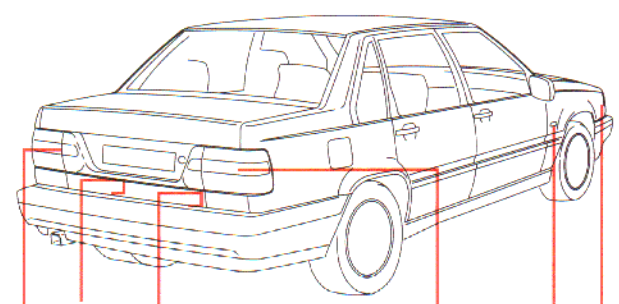


3/3

BL-GN

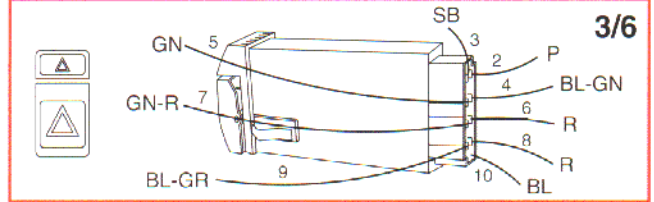
GN-R

GN



31/11

31/12



3/6

GN

GN-R

BL-GR

SB

3

2

P

4

BL-GN

6

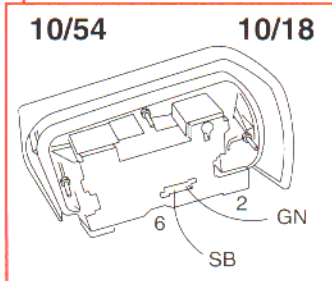
R

8

R

10

BL

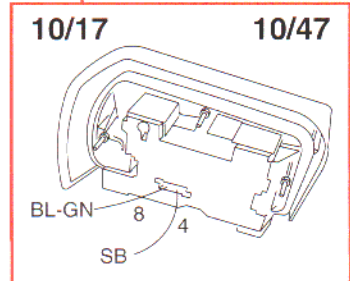


10/54

10/18

GN

SB

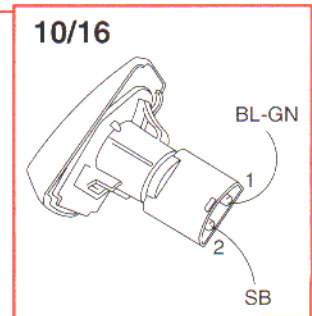


10/17

10/47

BL-GN

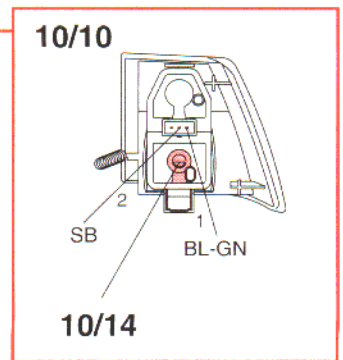
SB



10/16

BL-GN

SB

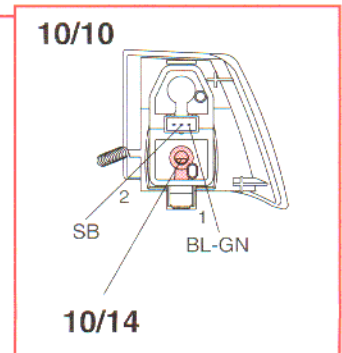
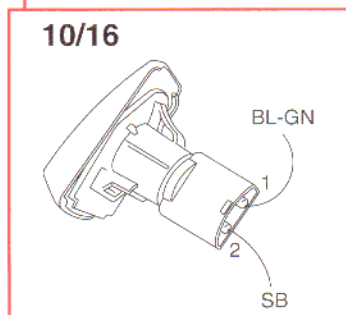
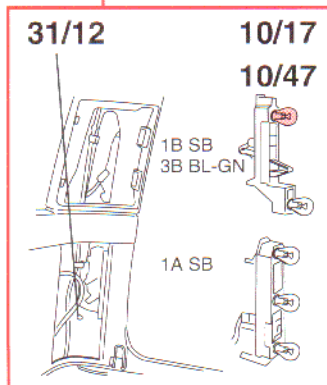
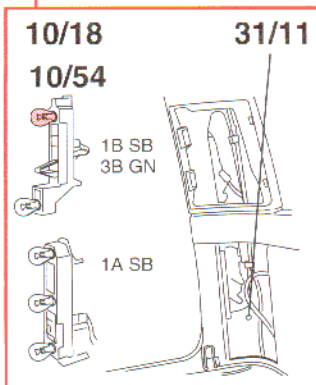
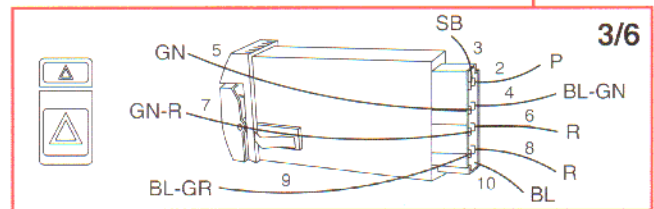
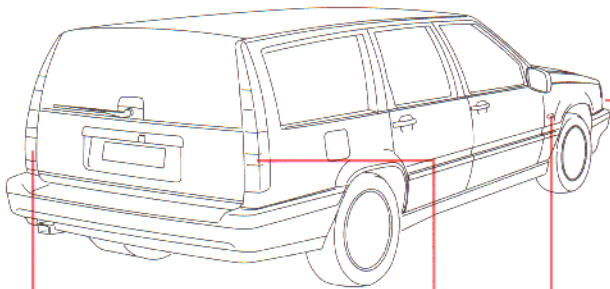
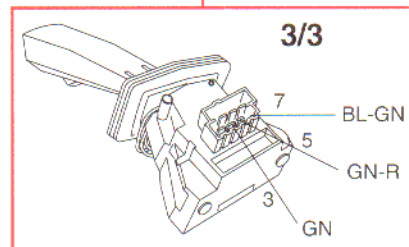
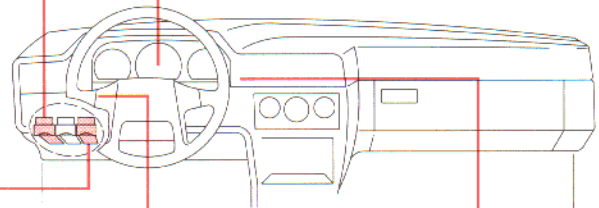
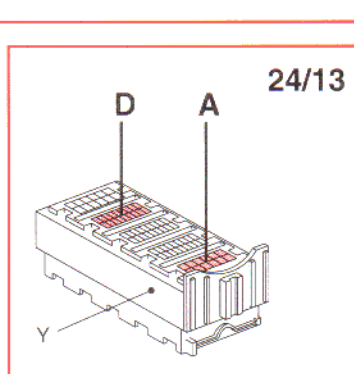
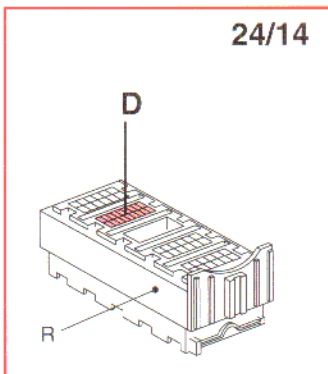
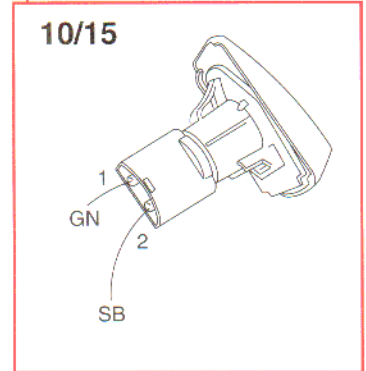
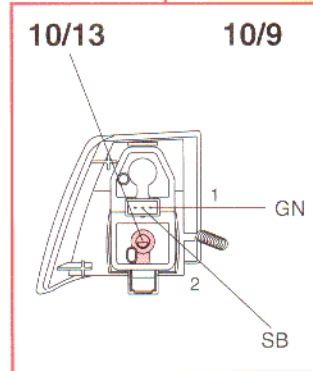
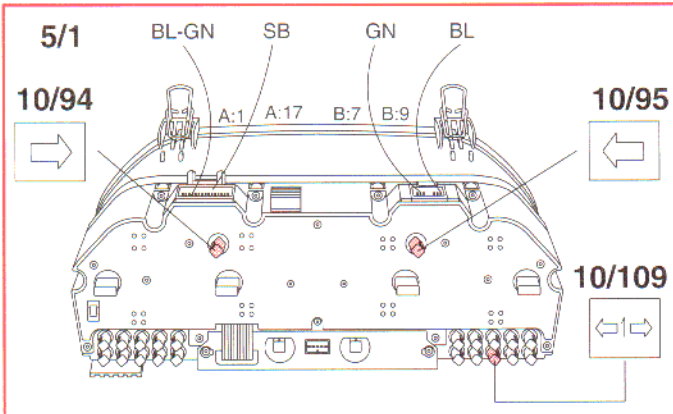
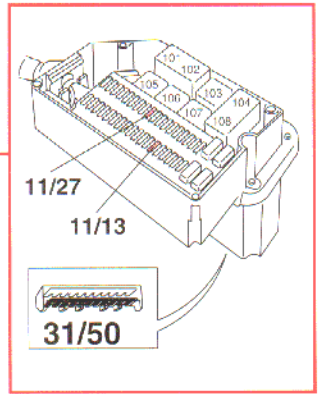
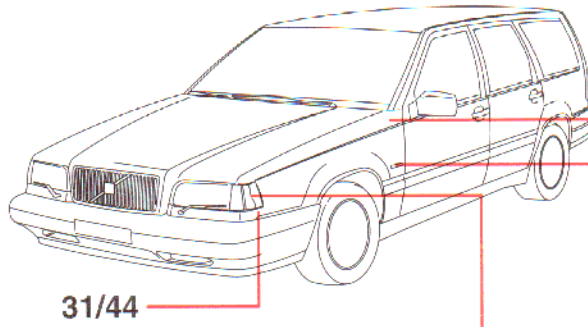


10/10

10/14

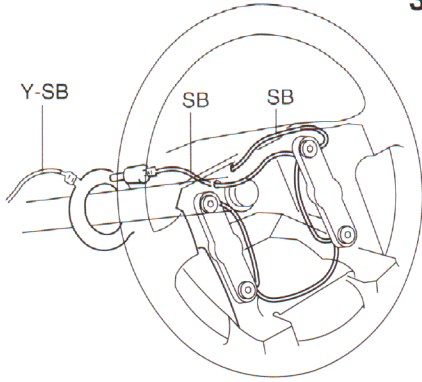
SB

BL-GN

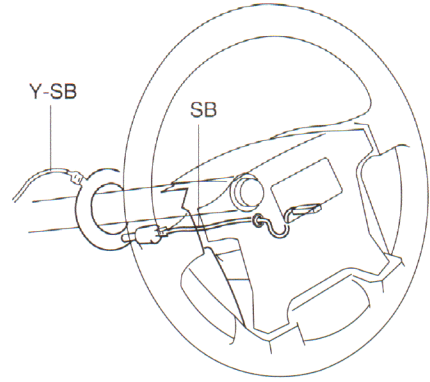


SRS

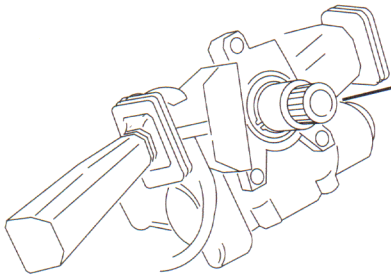
3/37



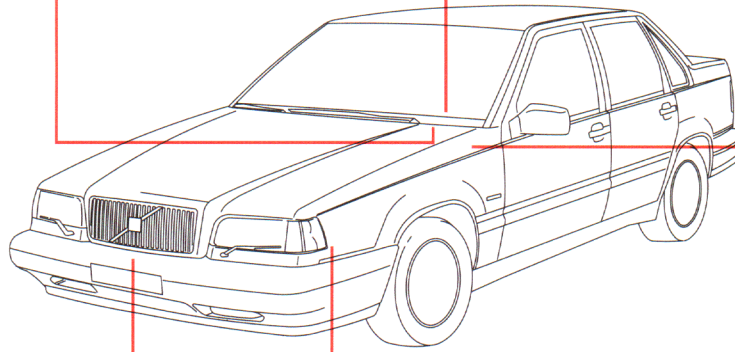
3/37



31/65

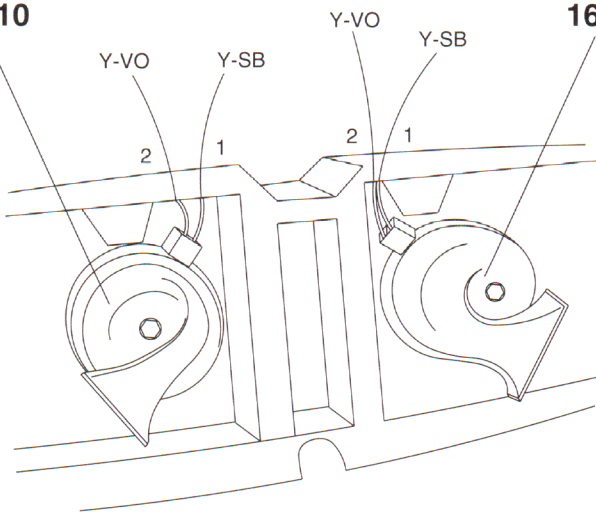


31/44

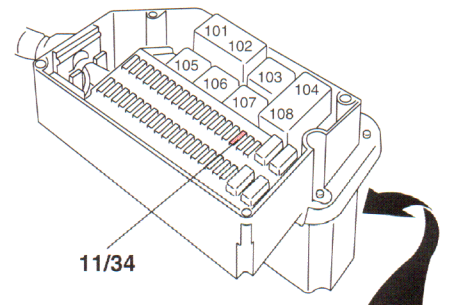


16/10

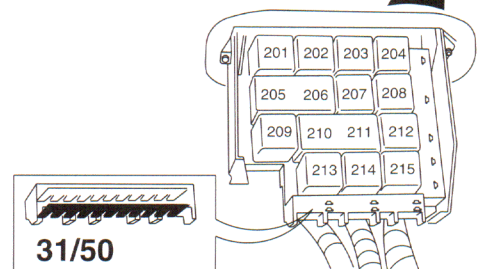
16/11

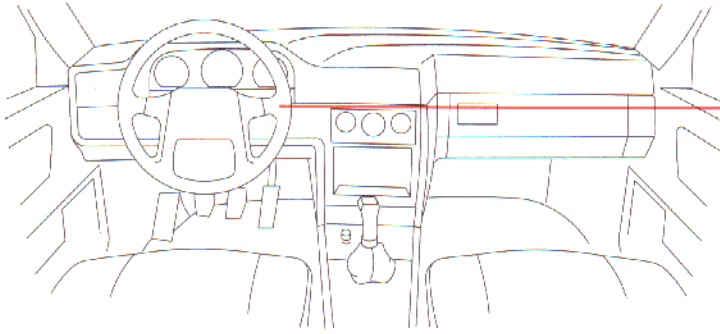


11/34

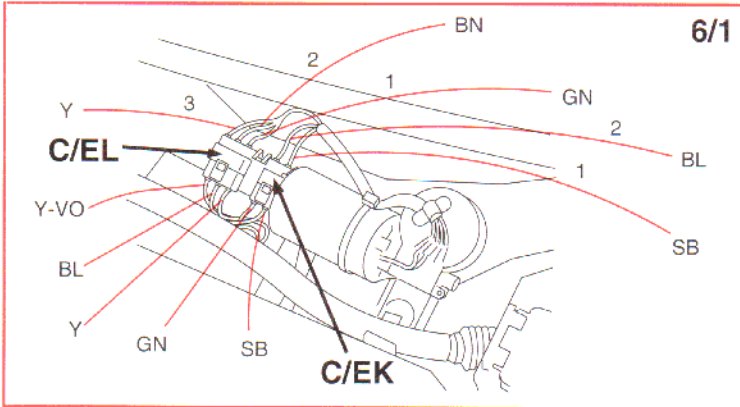
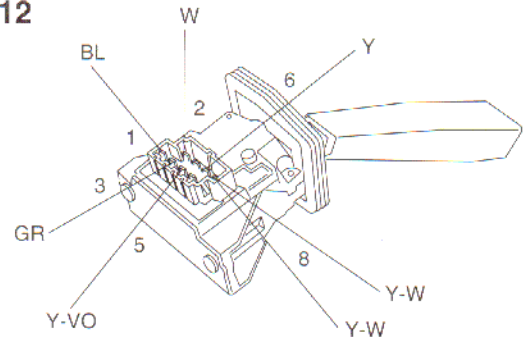


31/50

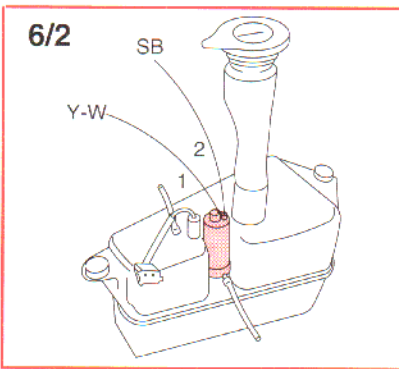
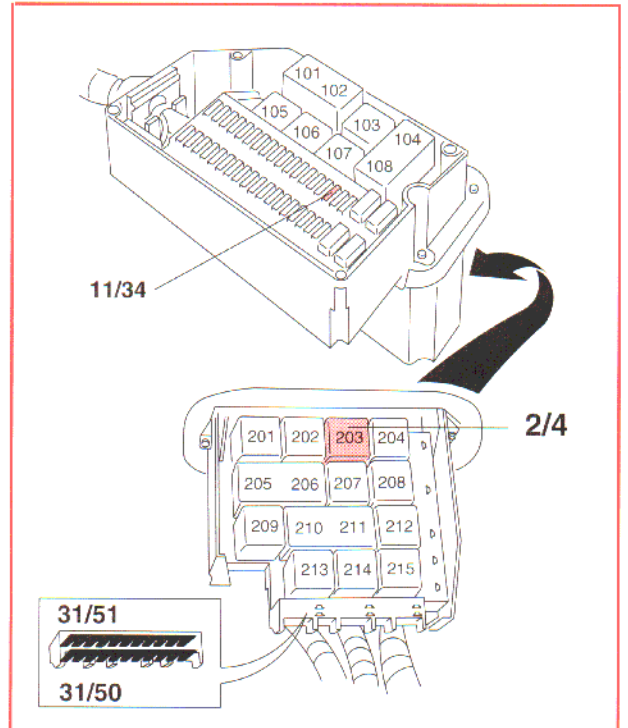




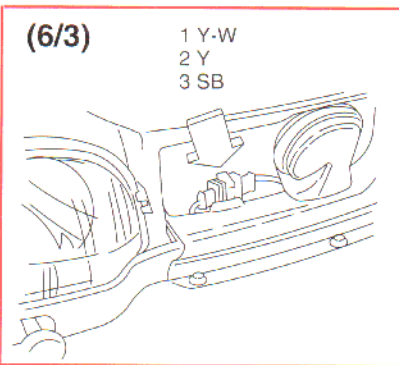
3/12



6/1

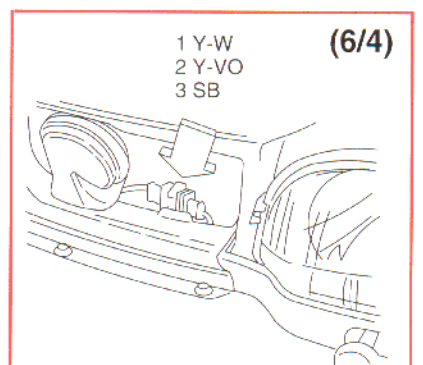


6/2



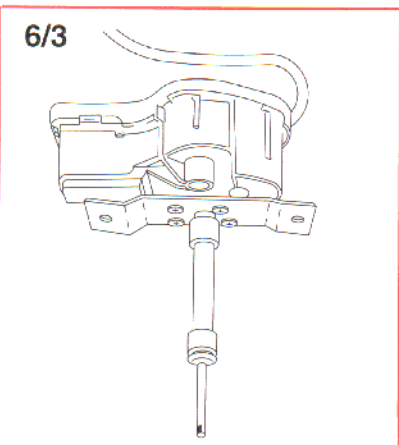
(6/3)

- 1 Y-W
- 2 Y
- 3 SB

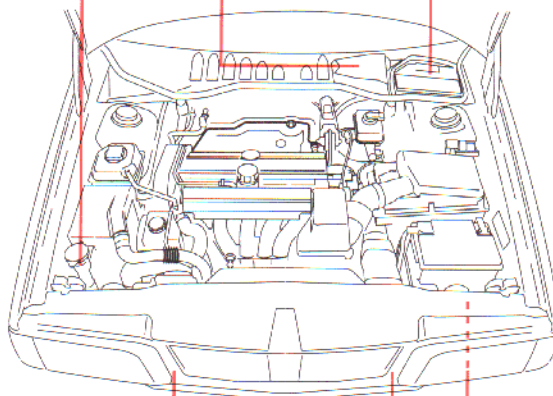


(6/4)

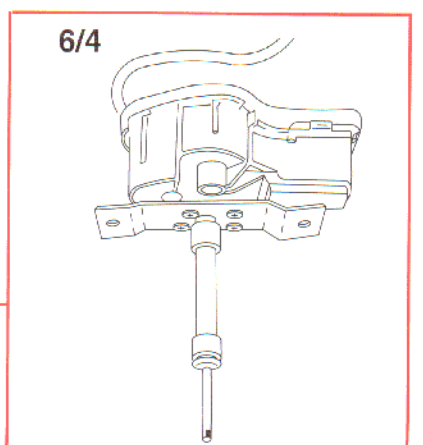
- 1 Y-W
- 2 Y-VO
- 3 SB



6/3

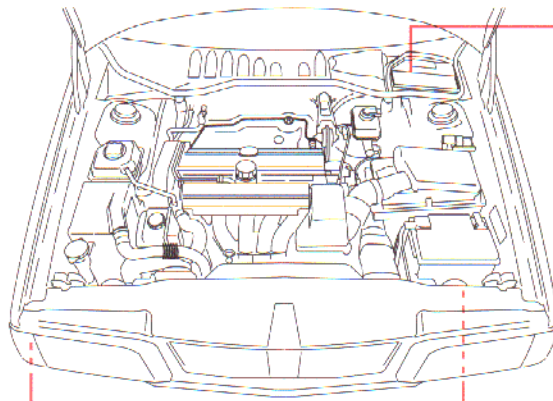
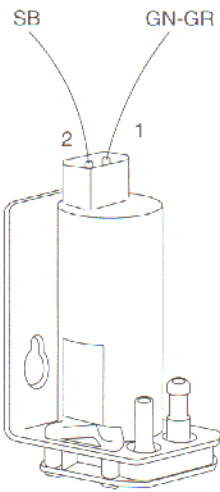


31/44

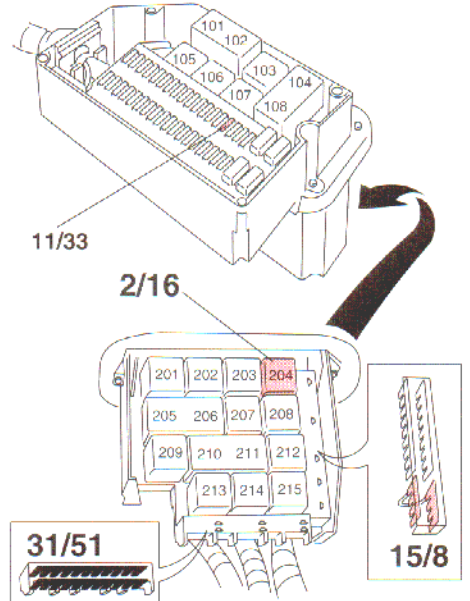


6/4

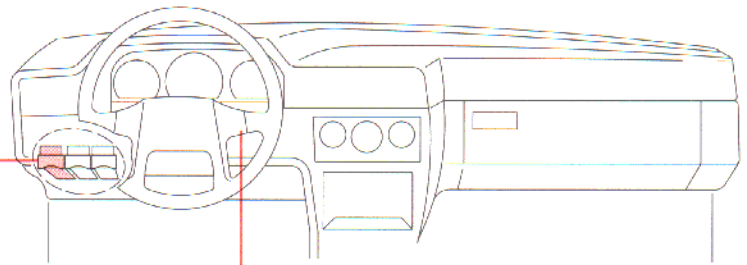
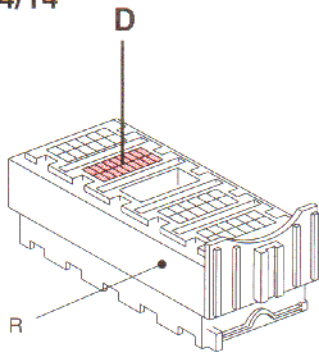
6/30



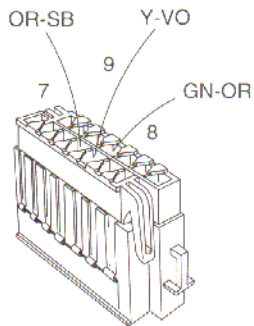
31/44



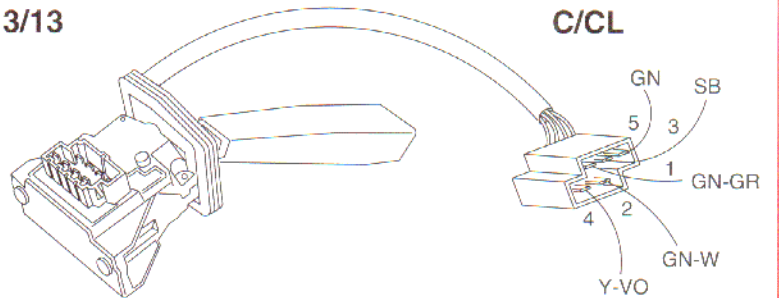
24/14



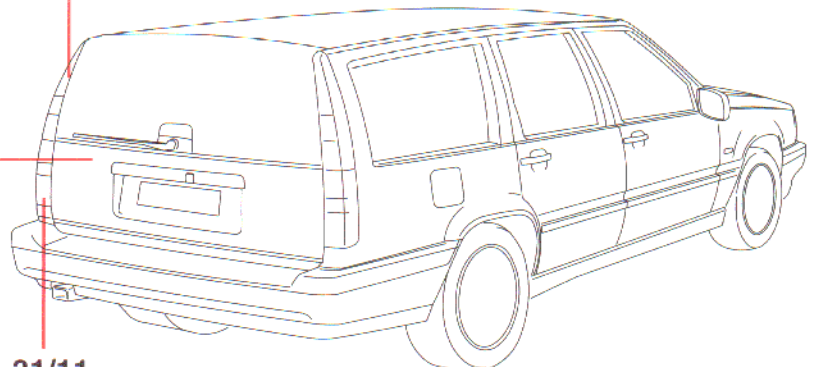
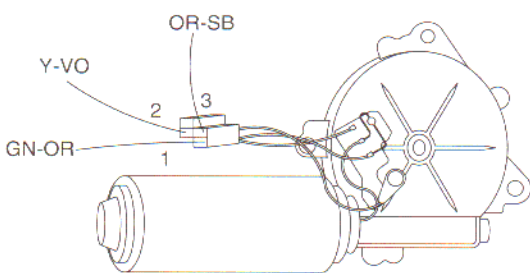
24/25



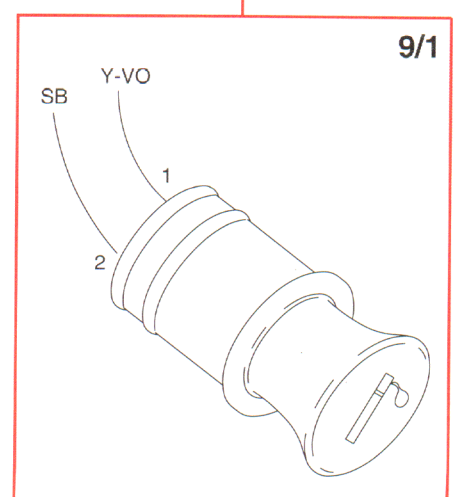
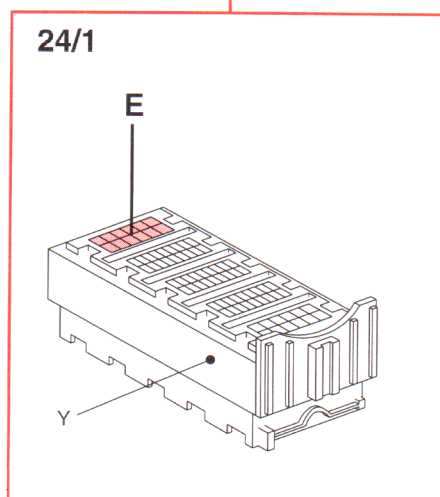
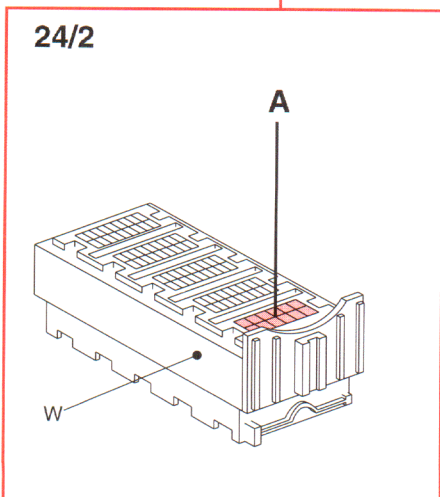
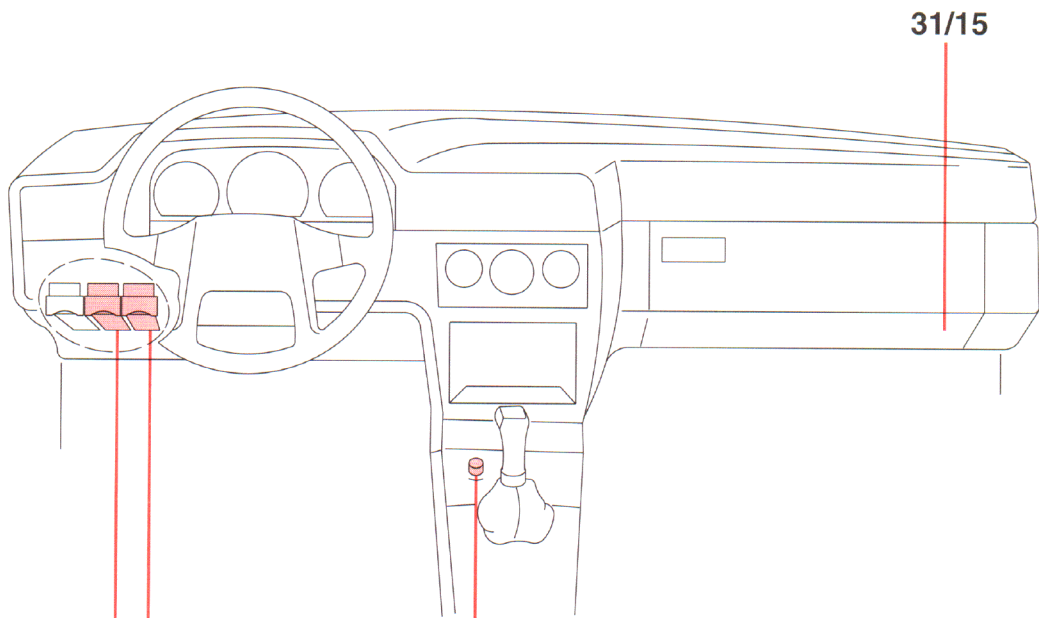
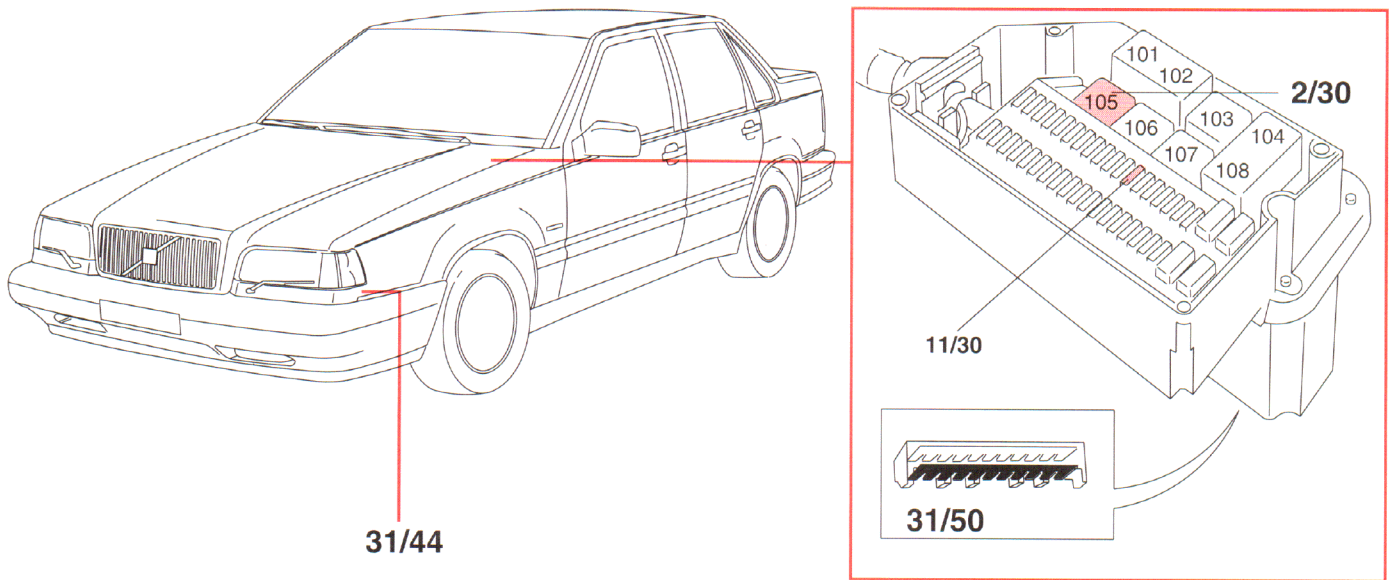
3/13

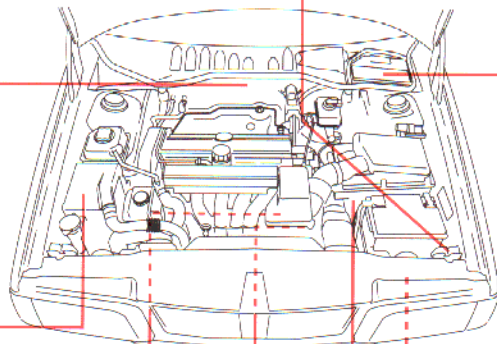
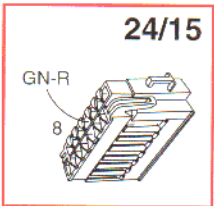
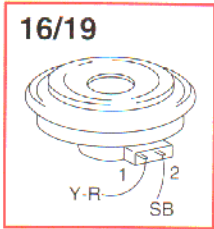
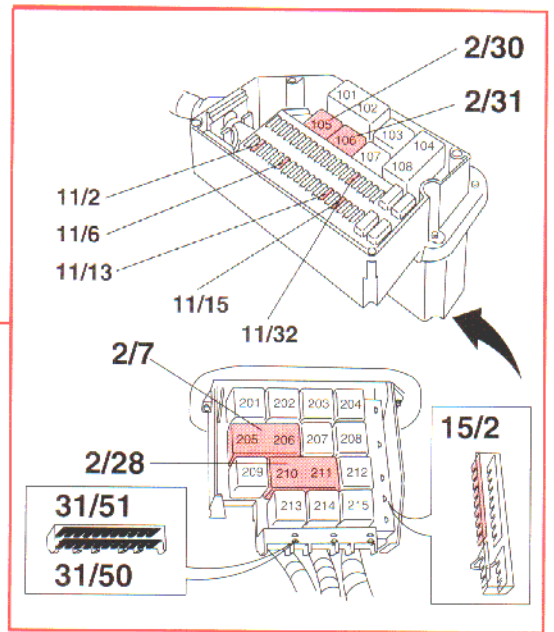
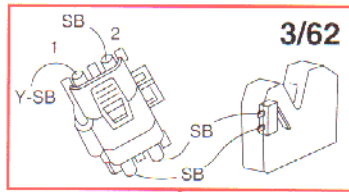


6/32

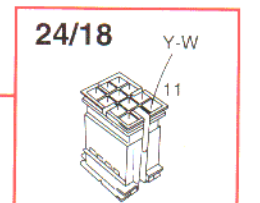
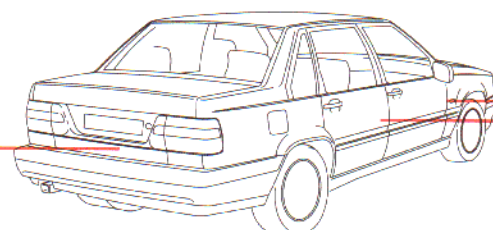
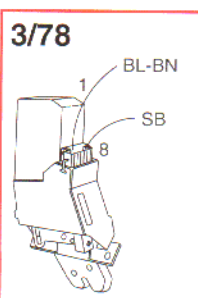
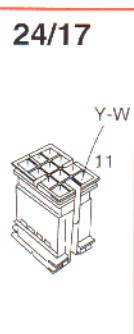
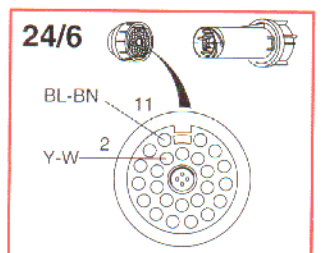
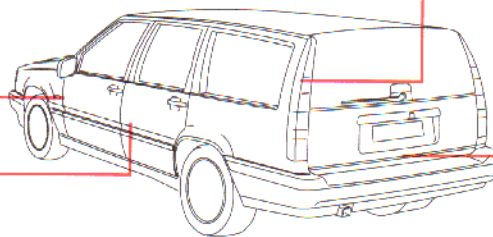
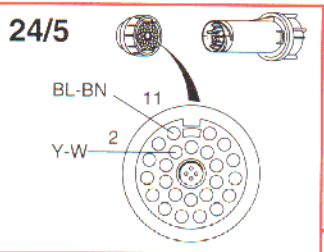
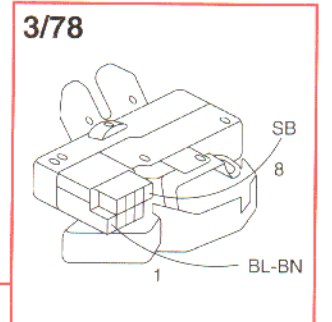
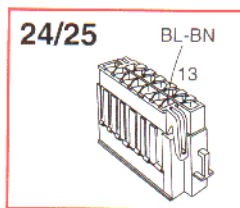
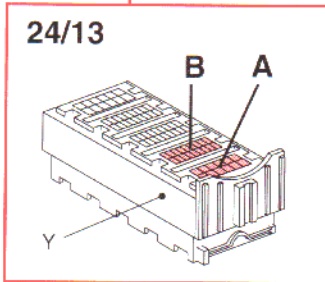
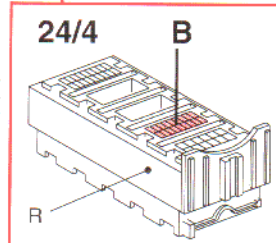
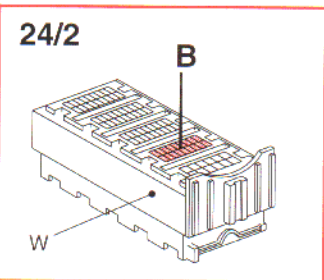
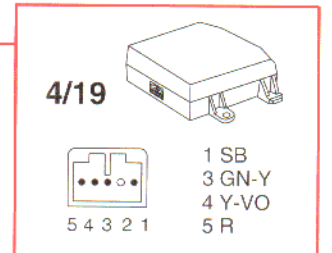
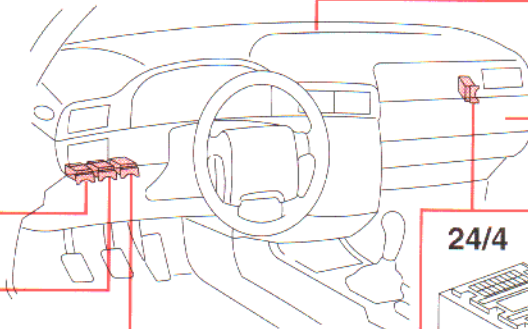
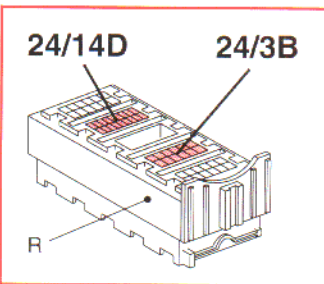
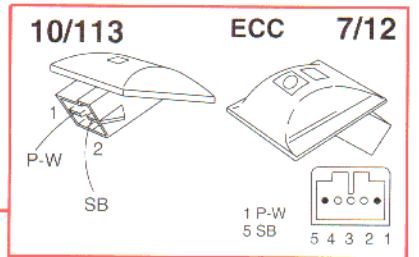


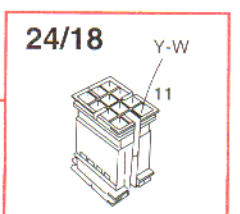
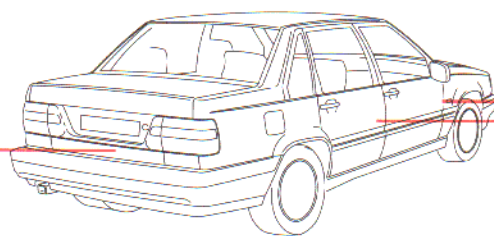
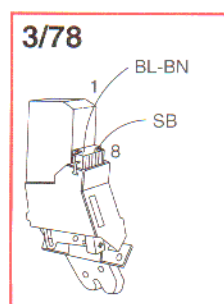
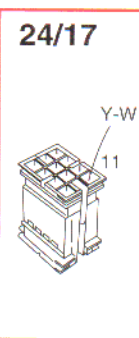
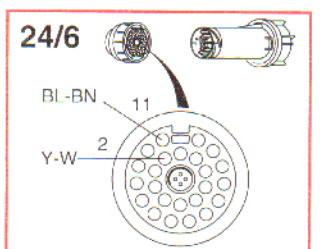
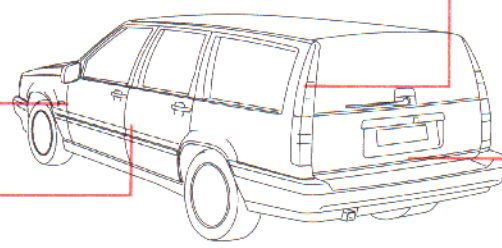
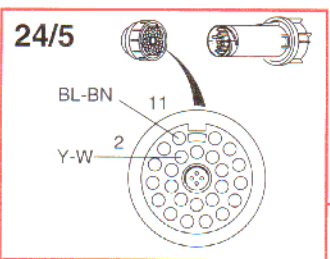
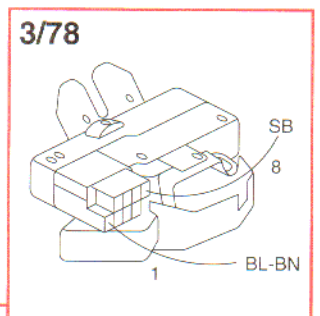
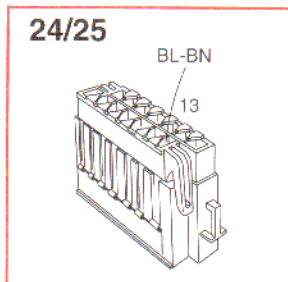
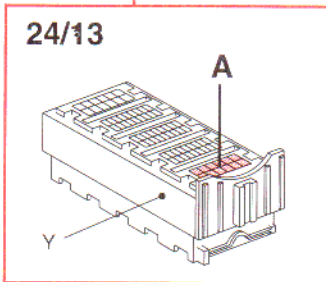
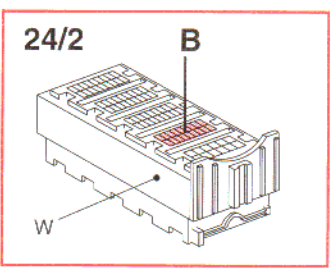
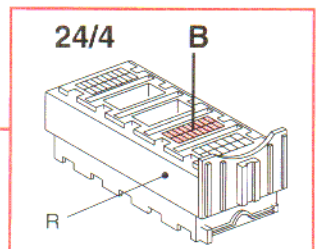
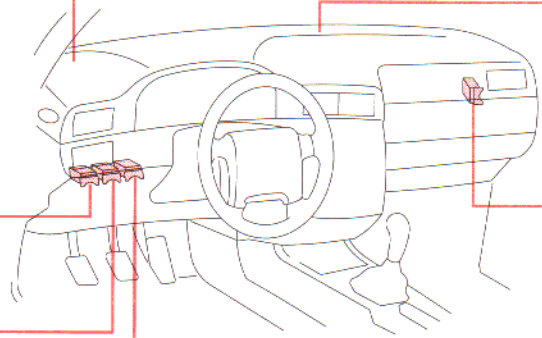
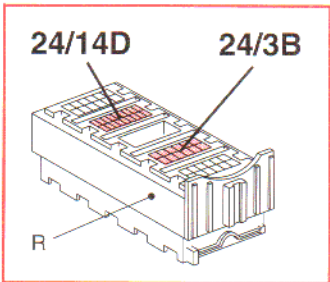
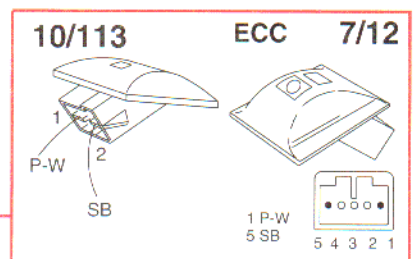
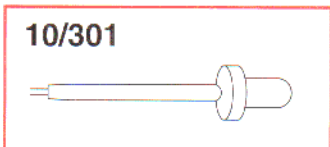
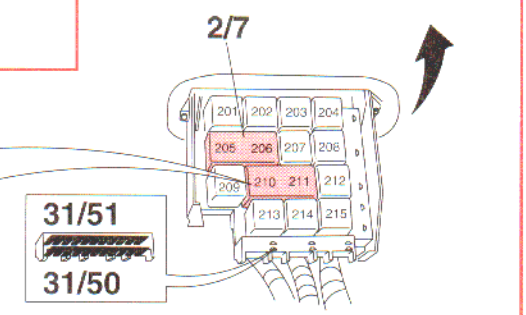
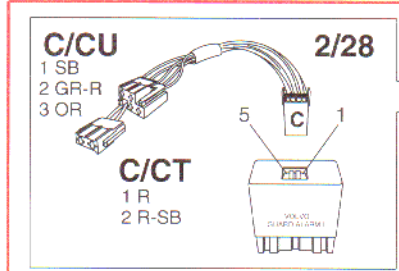
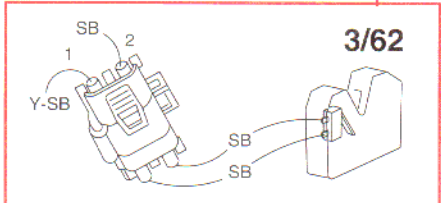
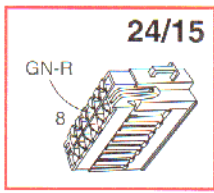
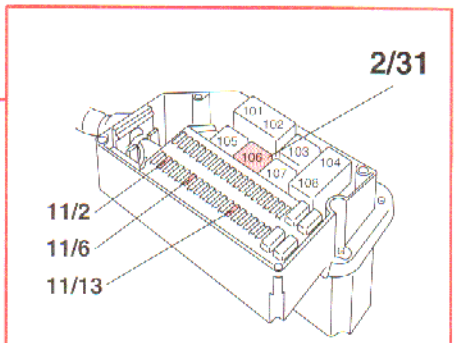
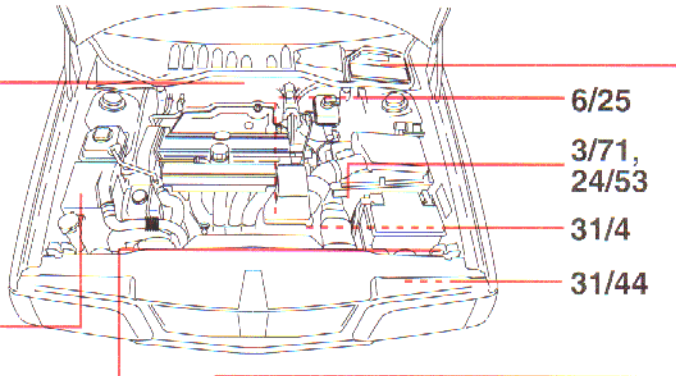
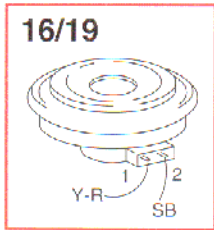
31/11

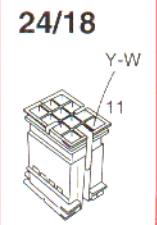
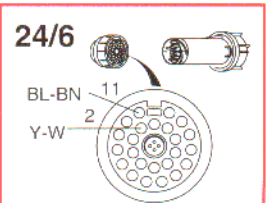
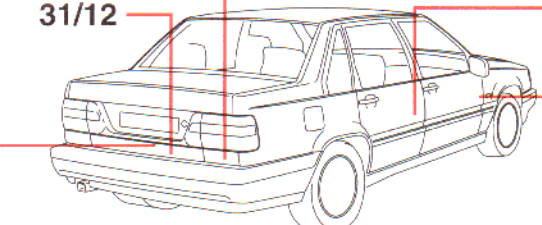
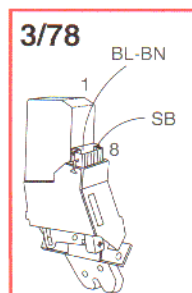
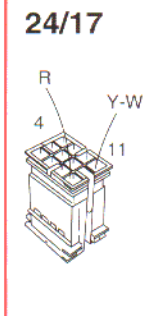
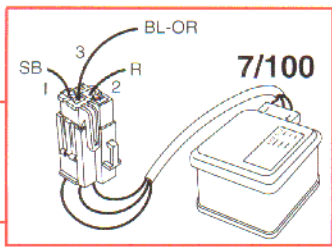
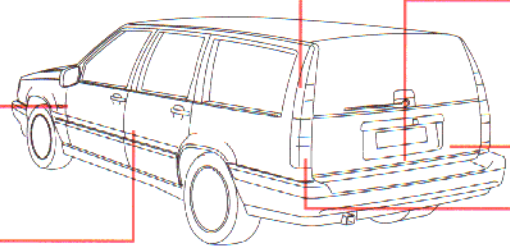
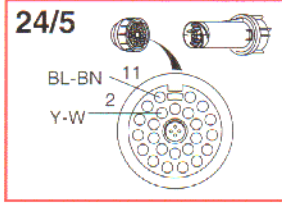
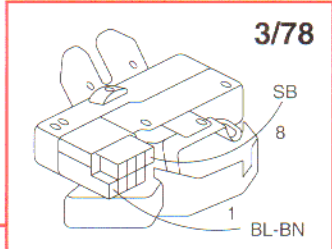
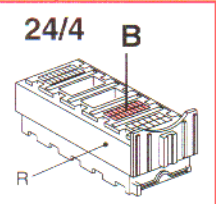
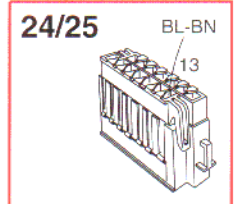
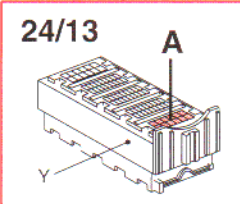
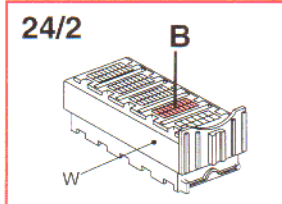
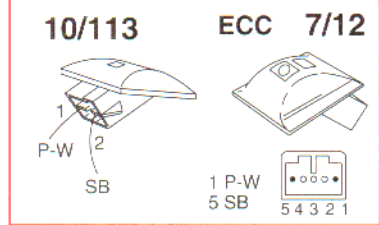
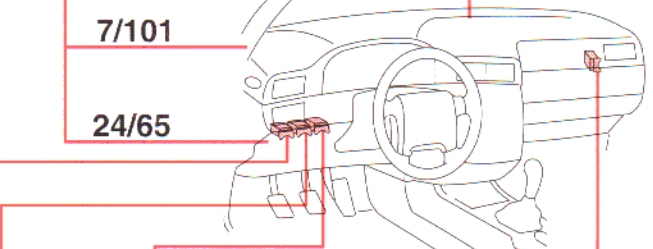
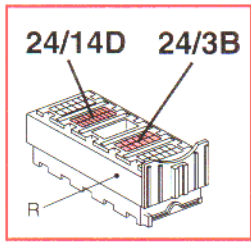
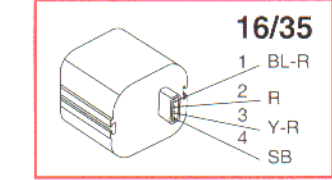
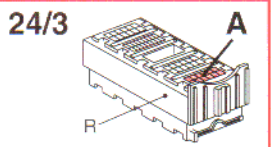
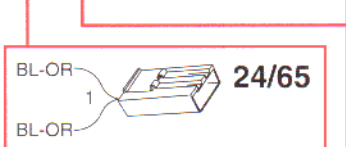
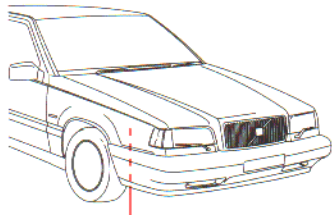
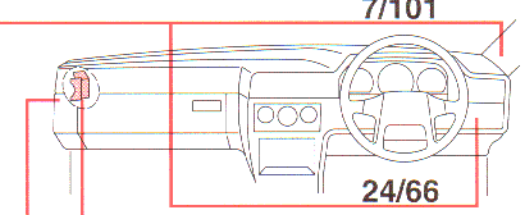
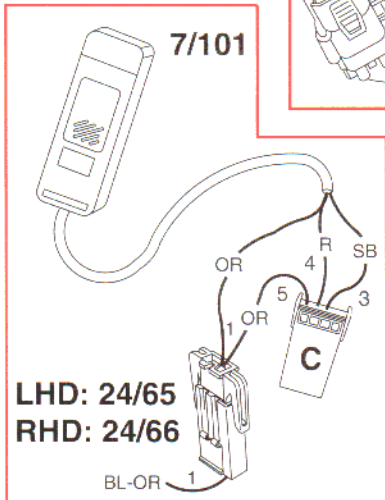
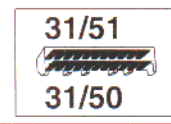
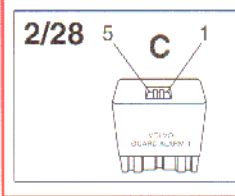
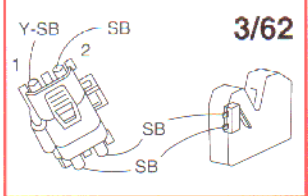
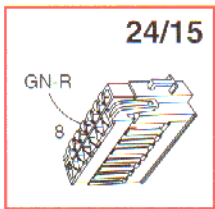
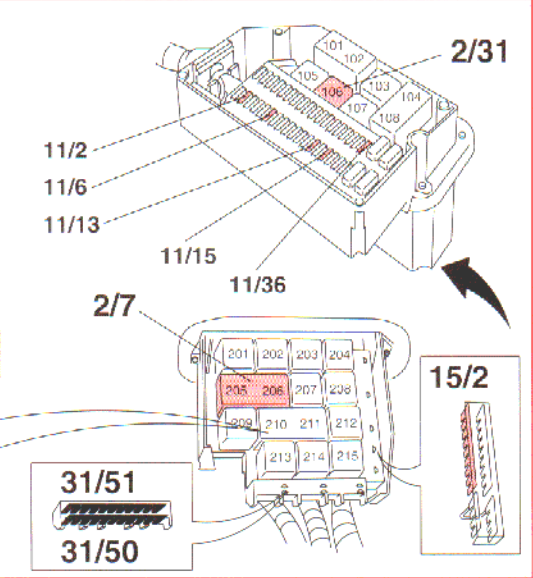
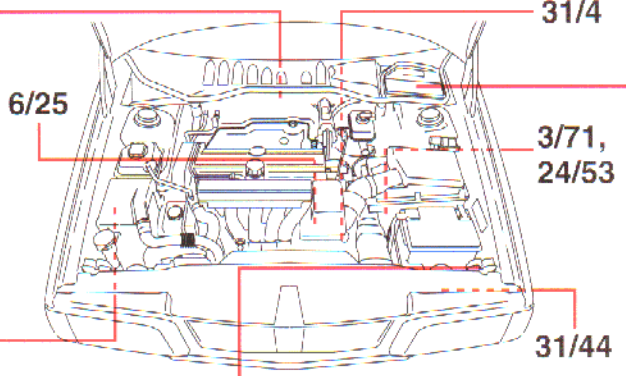
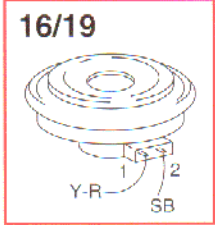




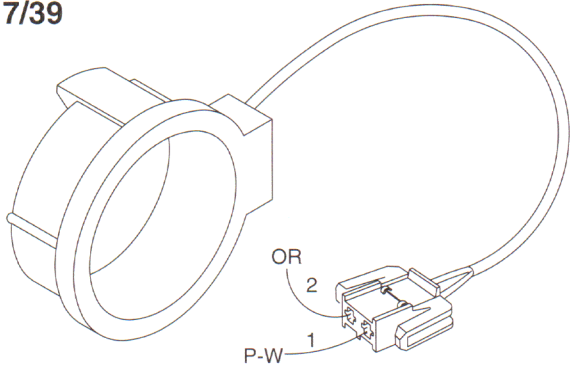
6/25 **31/4** **3/71, 24/53** **31/44**





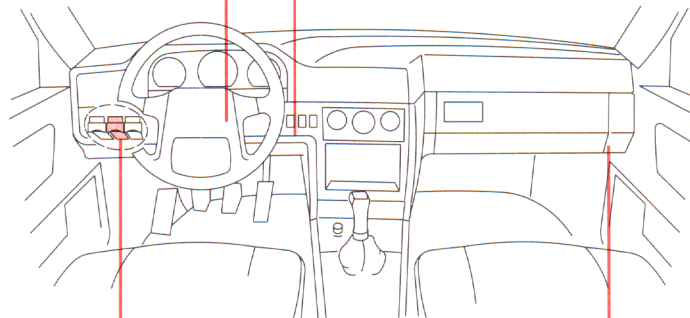
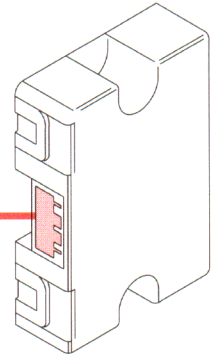
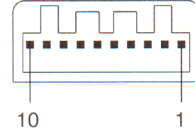


7/39

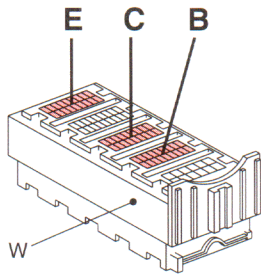


4/22

- 1 Y-BN
- 2 Y-BN
- 3 W (RHD LH 3.2 MANUAL Y-GR)
- 4 VO-W
- 5 BL-GN
- 6 R
- 7 -
- 8 SB
- 9 P-W
- 10 OR

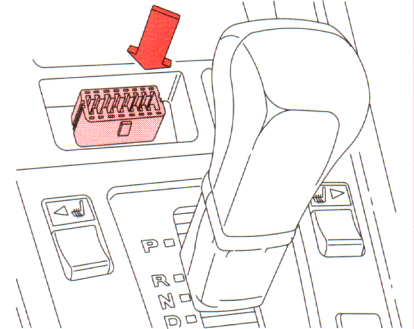


24/2

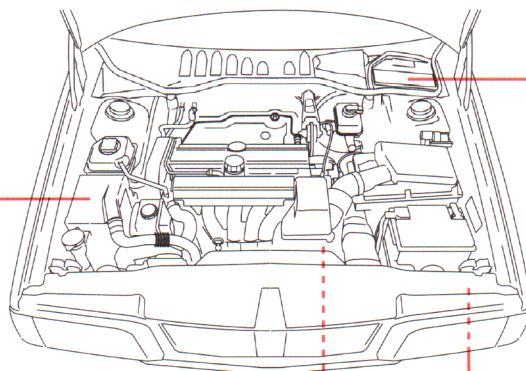
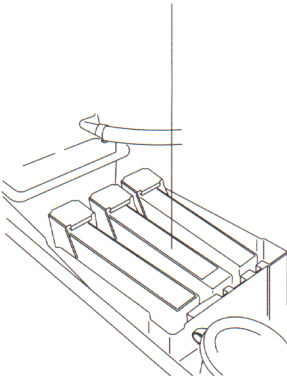


31/15

17/13



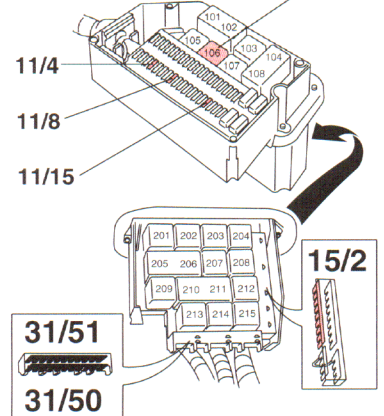
4/45, 4/46

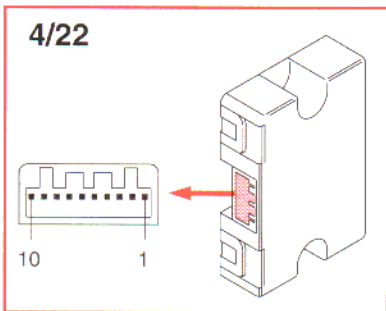
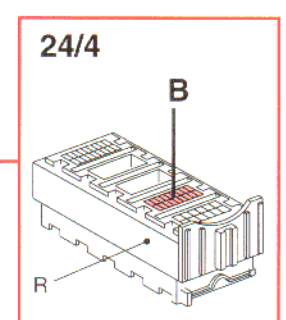
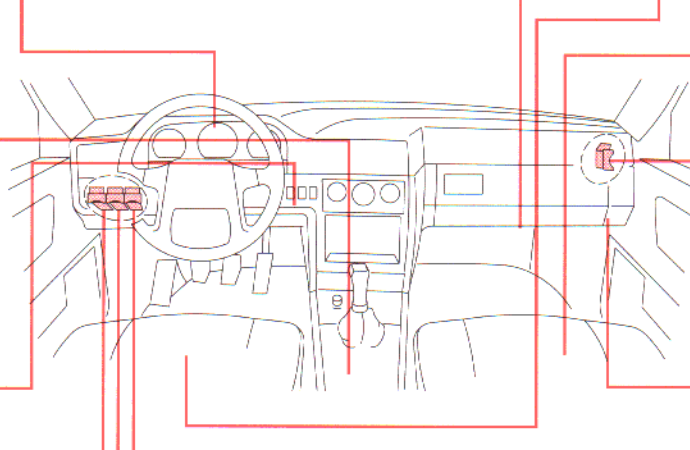
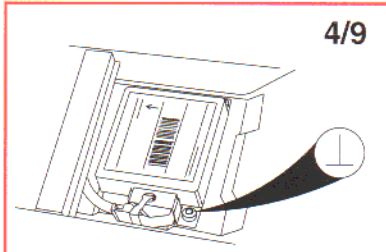
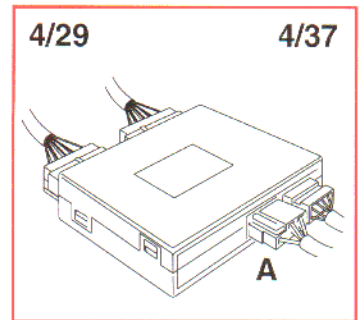
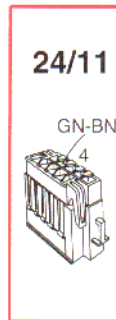
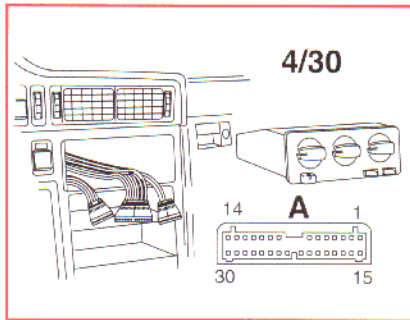
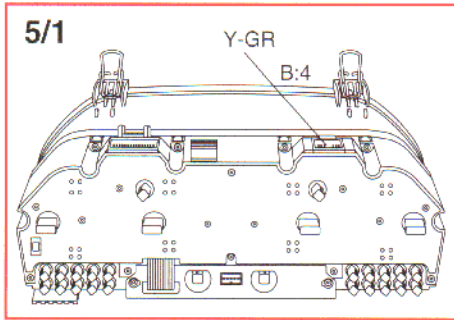


31/4

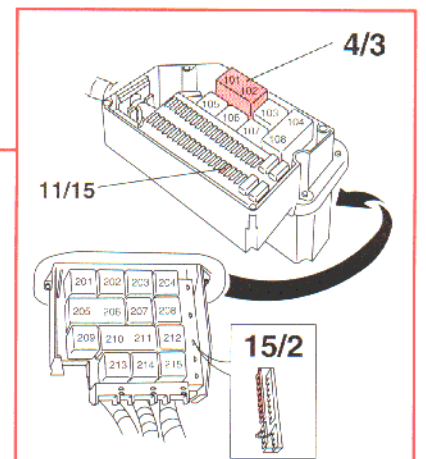
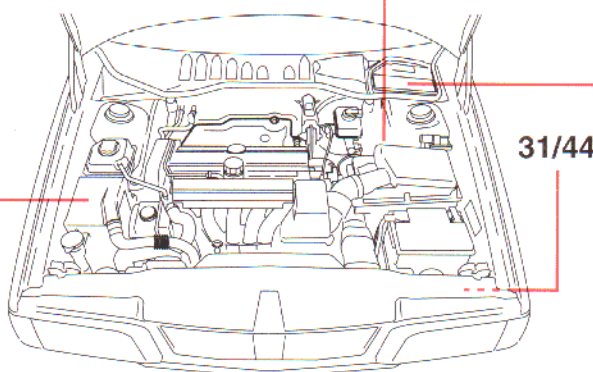
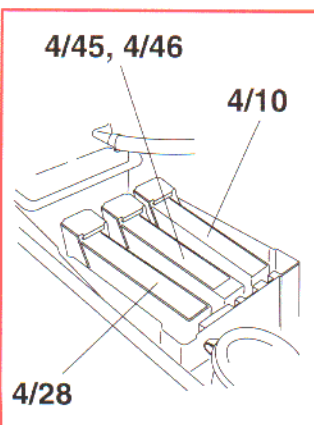
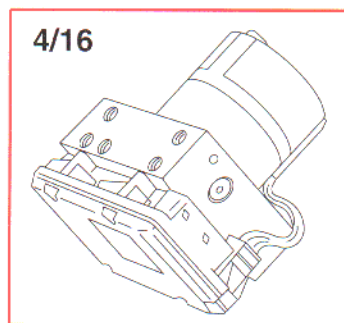
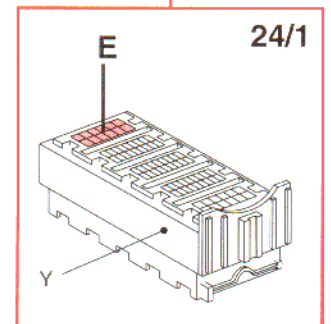
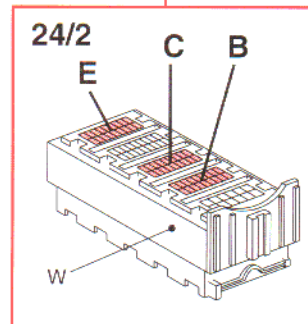
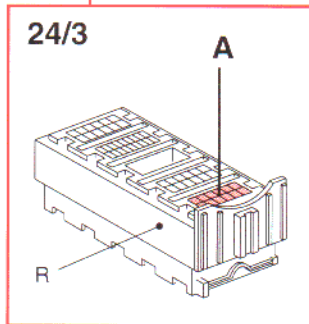
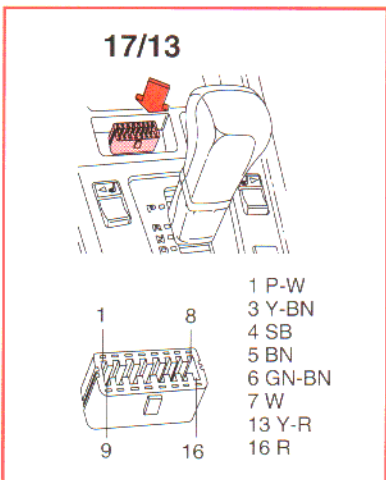
31/44

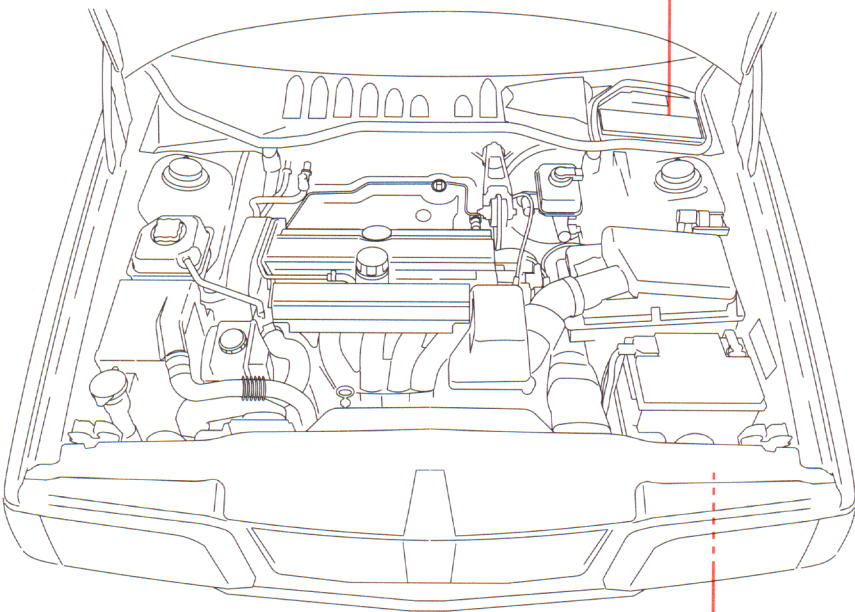
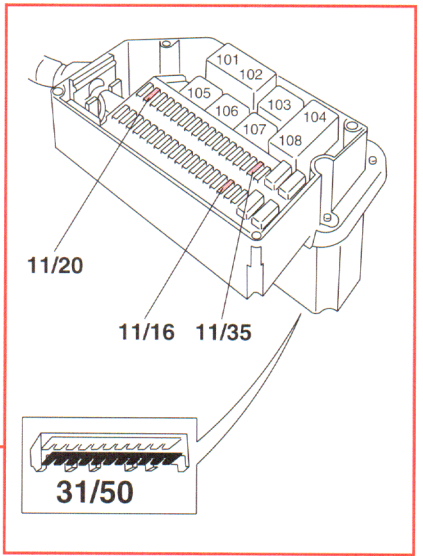
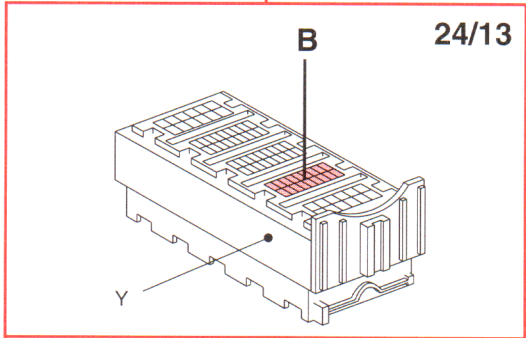
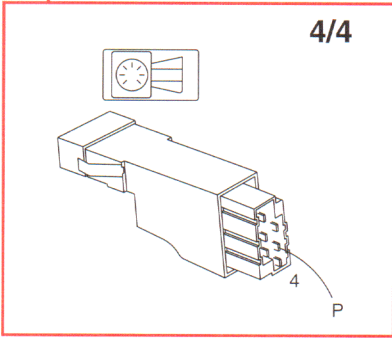
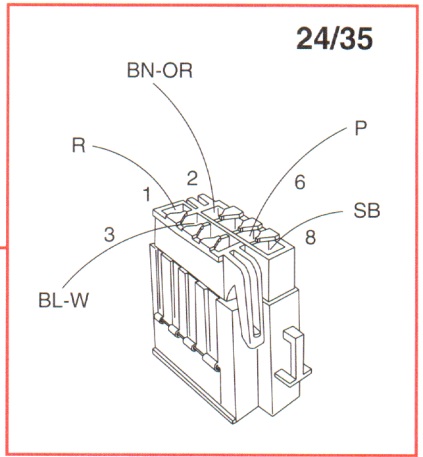
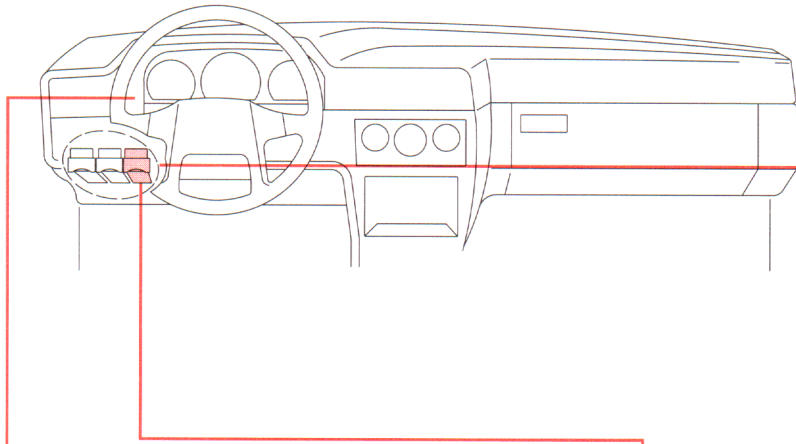
2/31



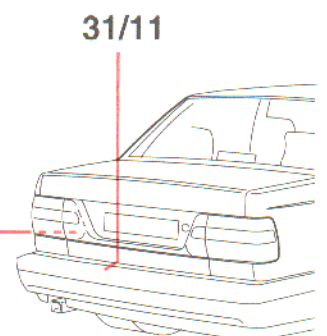
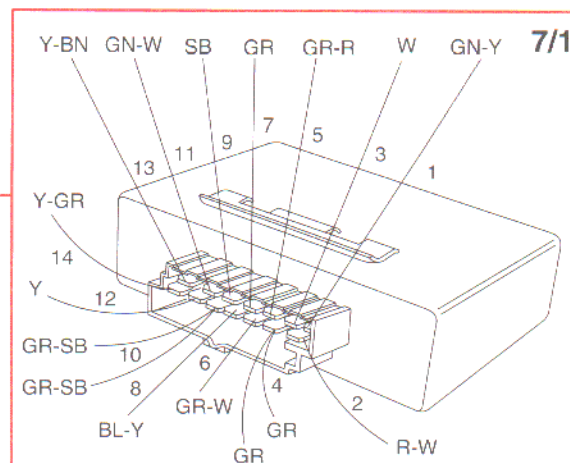
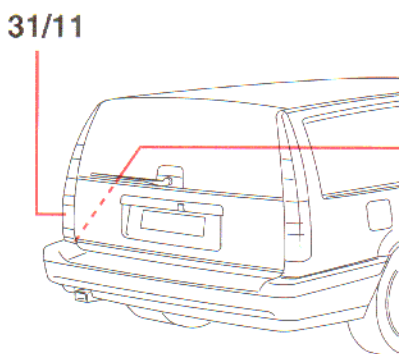
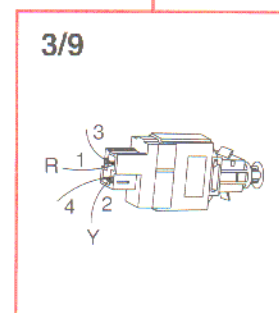
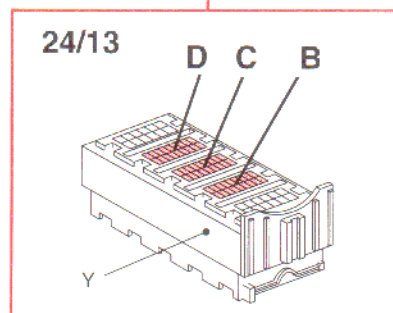
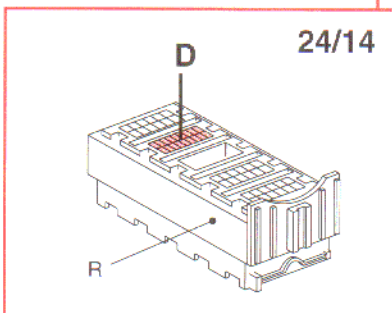
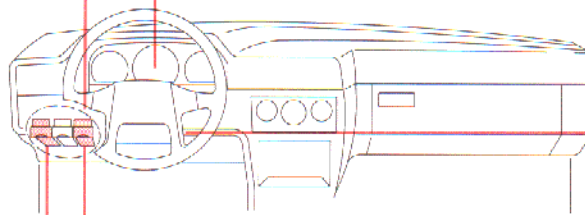
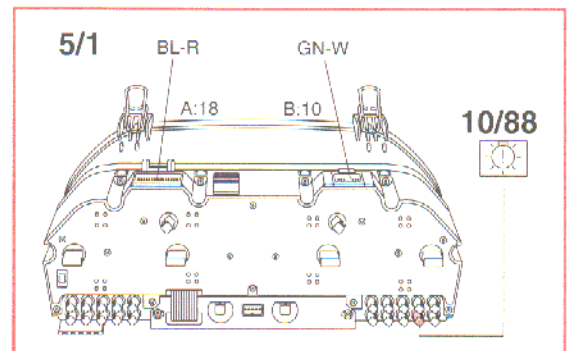
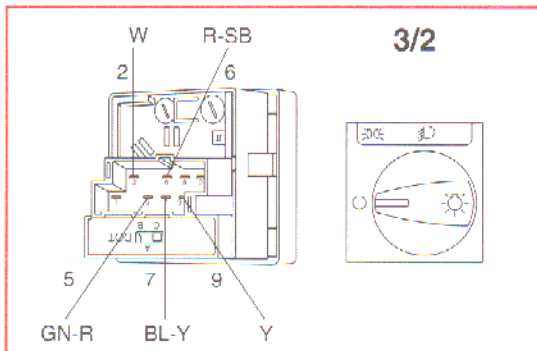
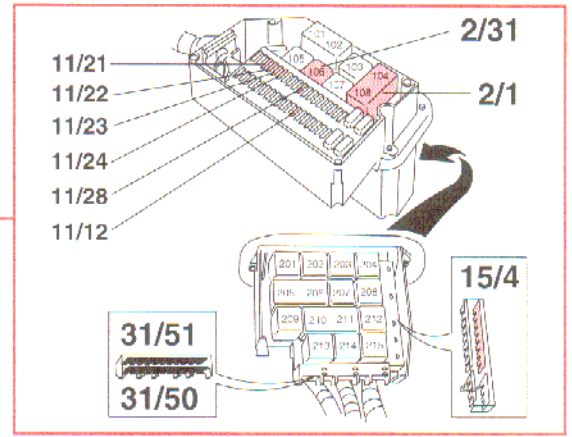
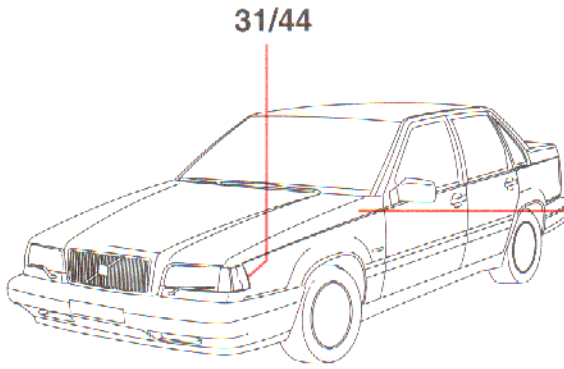


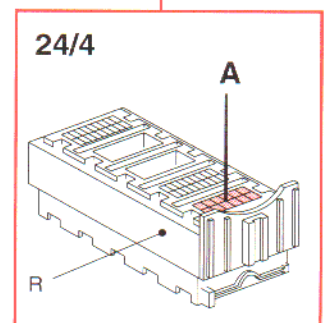
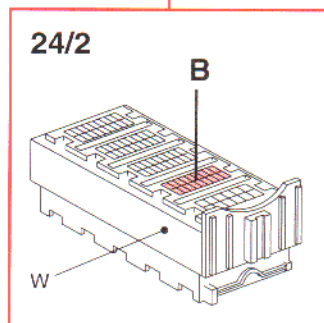
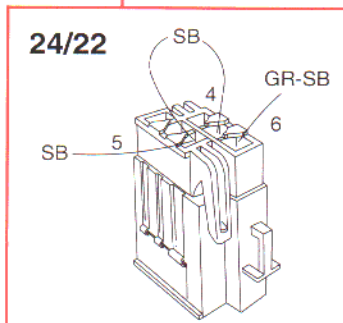
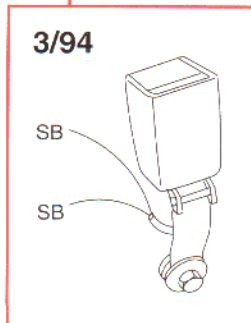
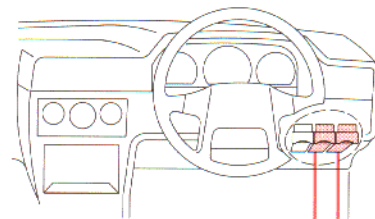
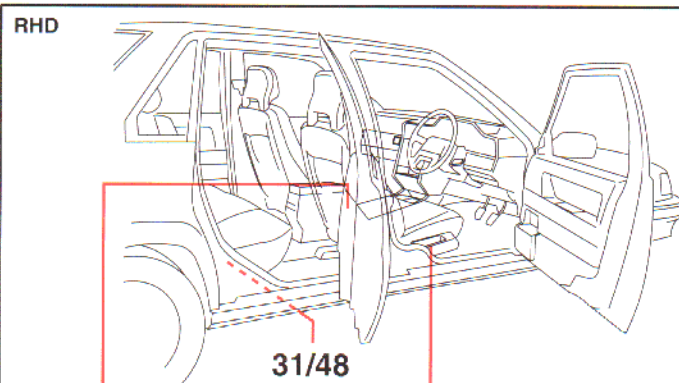
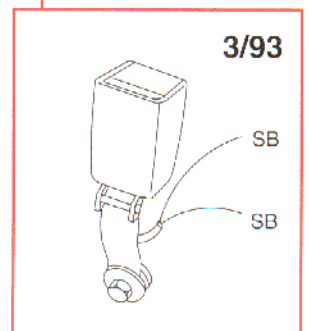
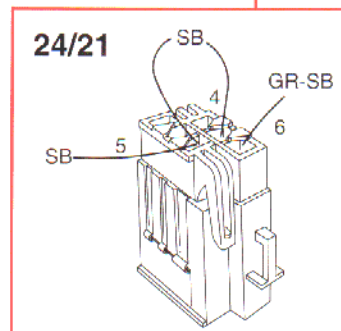
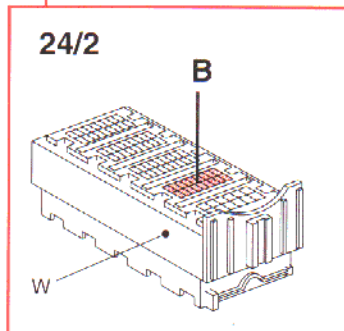
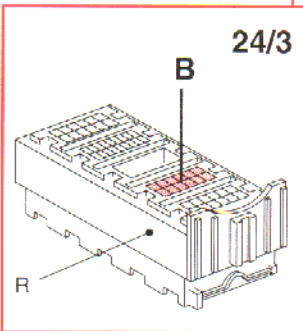
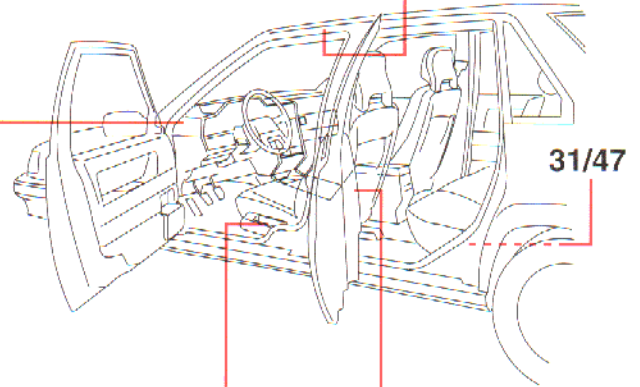
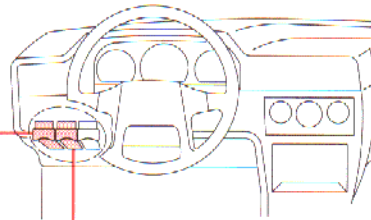
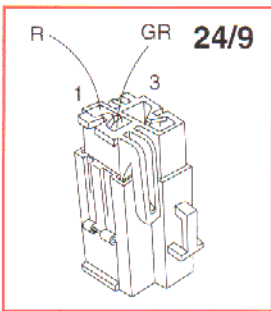
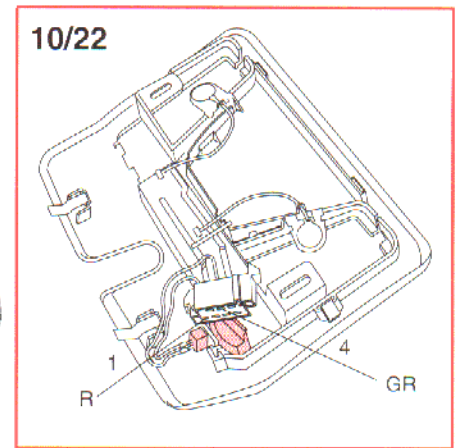
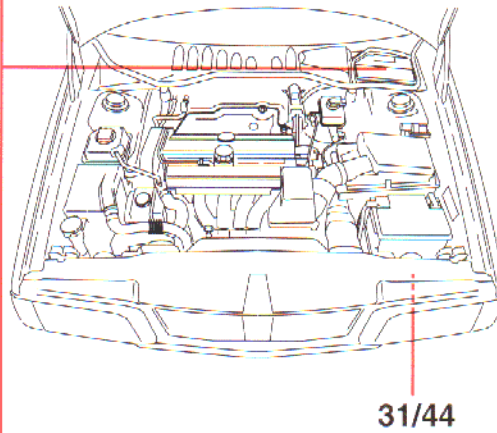
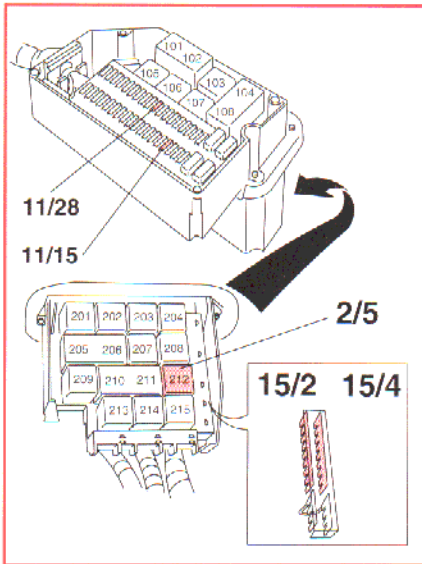
31/15

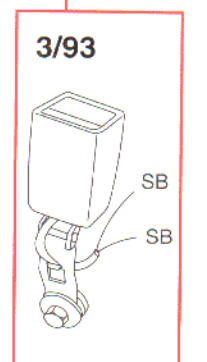
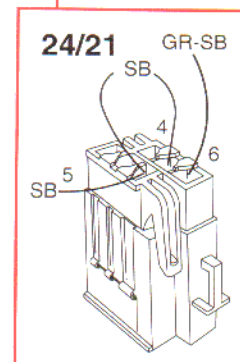
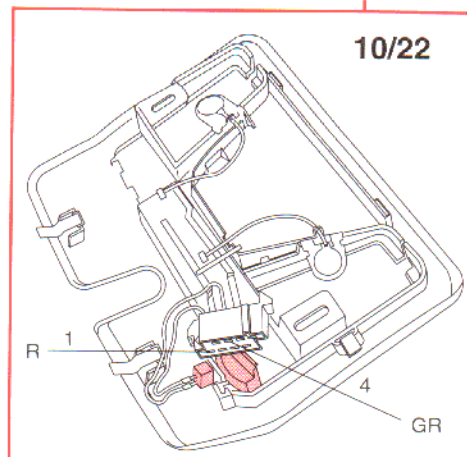
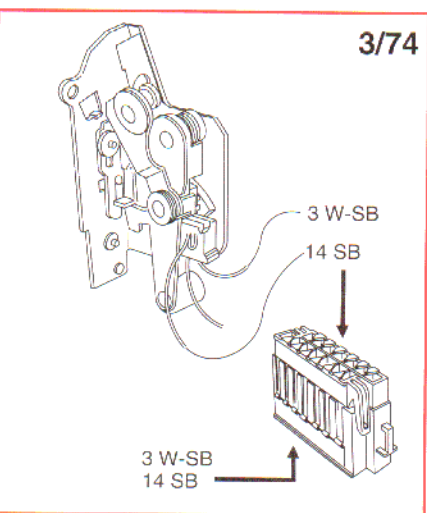
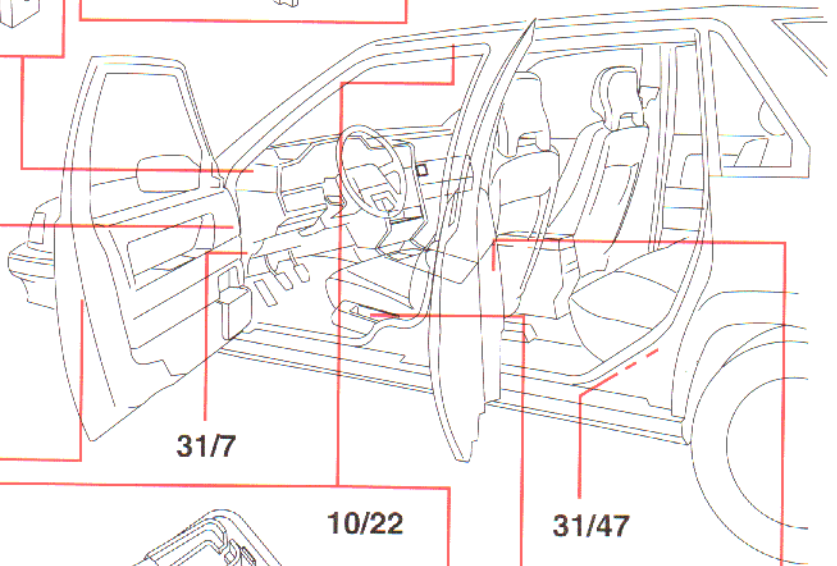
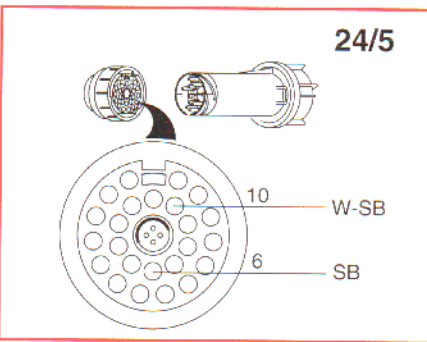
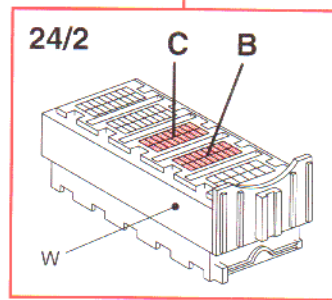
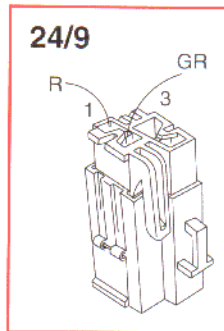
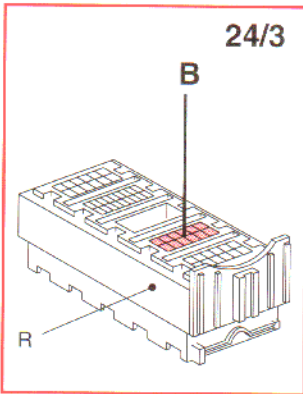
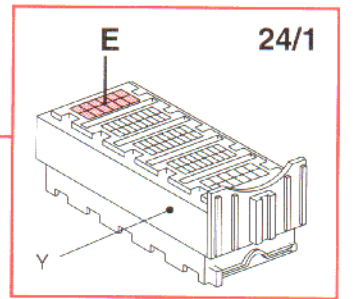
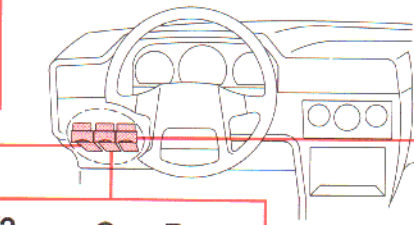
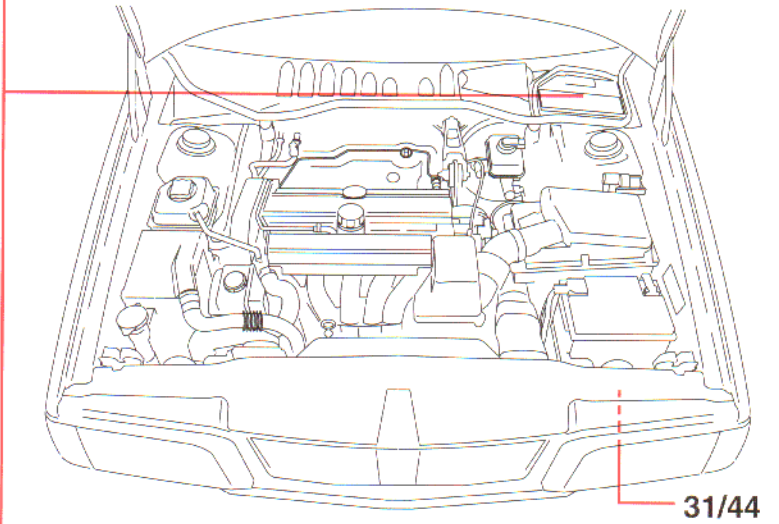
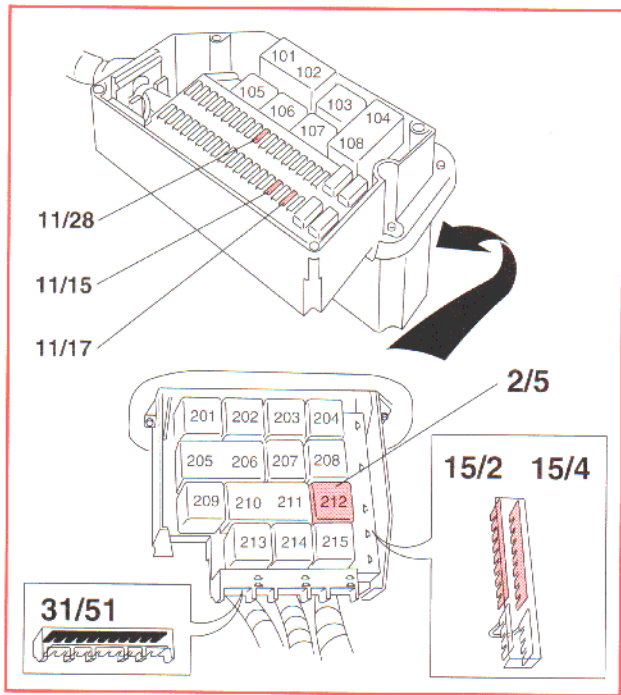


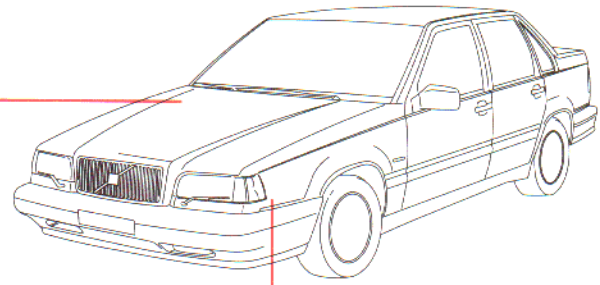
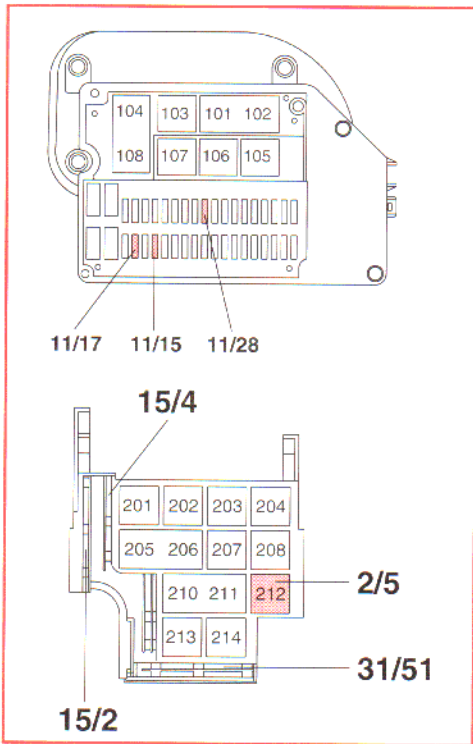


31/44



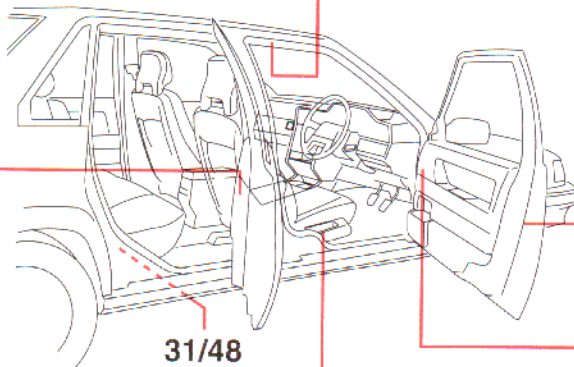
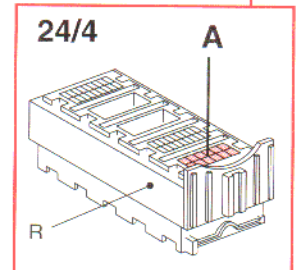
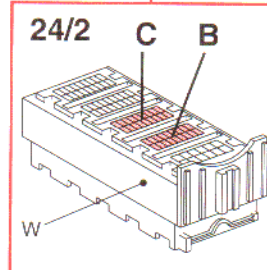
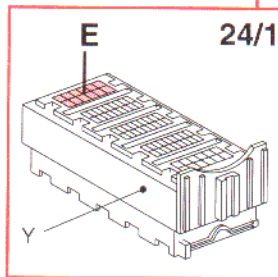
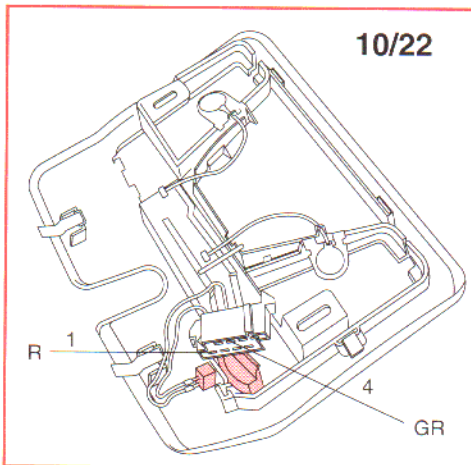
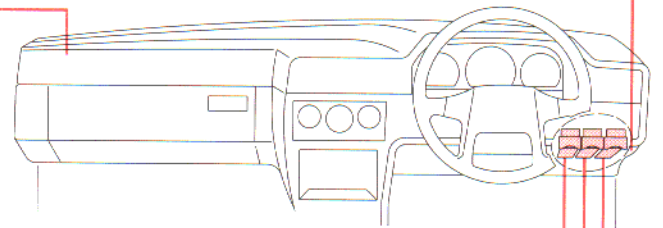
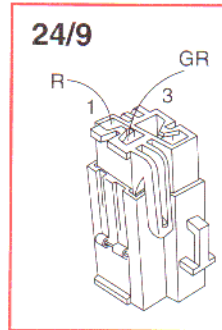




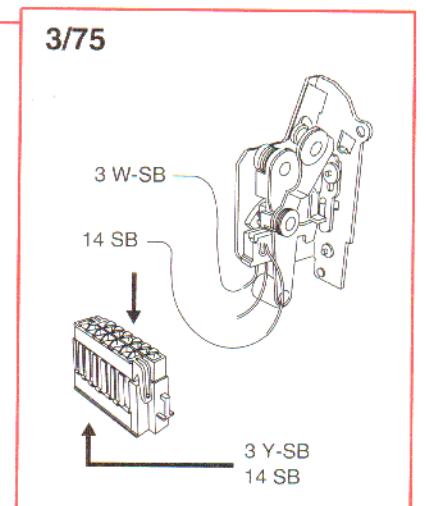
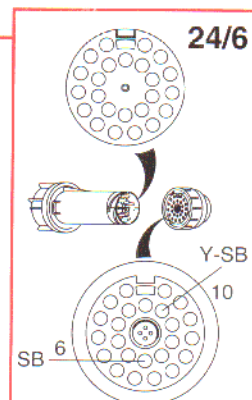
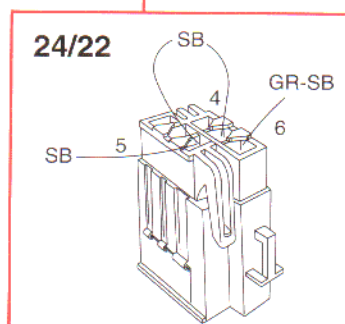
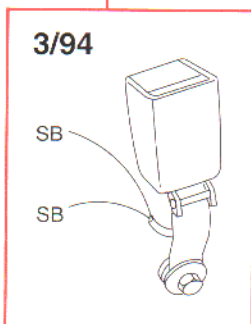


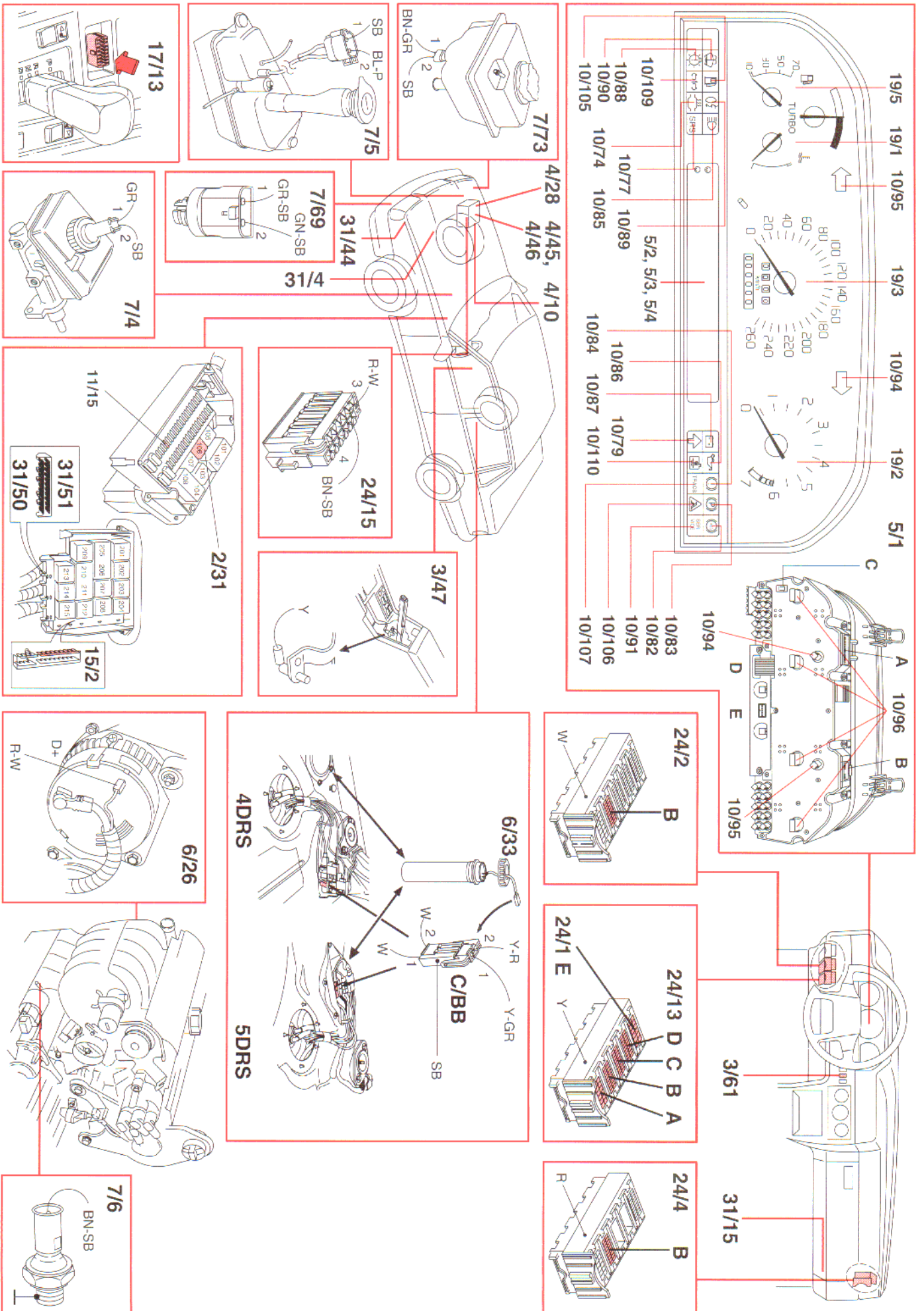
31/44

31/7



31/48





Combined instrument panel, VDO

Terminals in combined instrument panel

A 30-pin connector

- 1 Turn signal, right (+)
- 2 -
- 3 Speedometer, input signal
- 4 Fuel gauge (-)
- 5 Fuel gauge (+)
- 6 Digital speedometer output
48 pulses/revolution
- 7 Digital speedometer output
12 pulses/revolution
- 8 SPARE
- 9 Fuel consumption
- 10 Rheostat, instrument lighting (+)
- 11 Tachometer, input signal
- 12 Winter program and low gear selection
(automatic transmission)
- 13 Generator signal, D+
- 14 Coolant level sensor
- 15 Signal ground (31/51)
- 16 Voltage supply +30
- 17 Power ground (31/50)
- 18 Voltage supply +15
- 19 SPARE
- 20 SPARE
- 21 SPARE
- 22 SPARE
- 23 SPARE
- 24 Outside temperature sensor (+)
- 25 Outside temperature sensor (-)
- 26 Engine coolant temperature sensor
- 27 SPARE
- 28 Brake fluid level sensor (-)
- 29 TRACS
- 30 Oil pressure sensor (-)

C 1-pin connector (double spade pin)

Digital speedometer output, 12 pulses/revolution (for accessories)

B 16-pin connector

- 1 Exhaust temp. sensor (-)
- 2 High beam (+)
- 3 SRS sensor unit
- 4 On-board diagnostics socket
- 5 SPARE
- 6 ABS Brake system
- 7 Turn signal, left (+)
- 8 Rear fog light (+)
- 9 Turn signal, trailer (+)
- 10 Bulb failure warning sensor (-)
- 11 Check engine (-)
- 12 Washer fluid level sensor (-)
- 13 Handbrake contact (-)
- 14 SPARE
- 15 SPARE
- 16 SPARE

D 10-pin connector

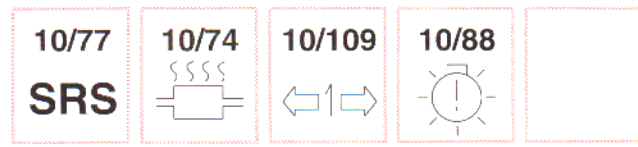
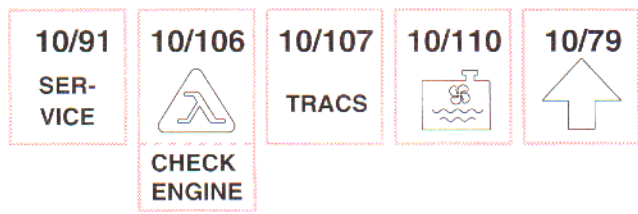
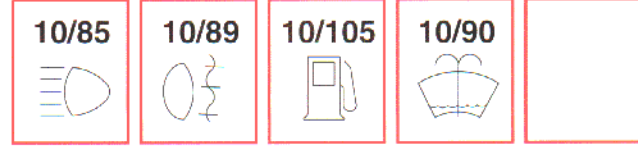
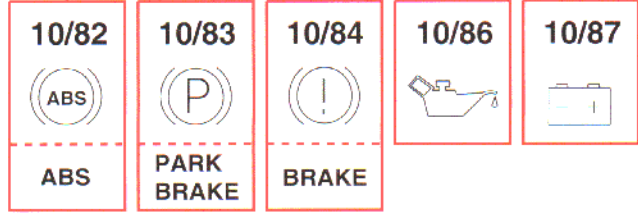
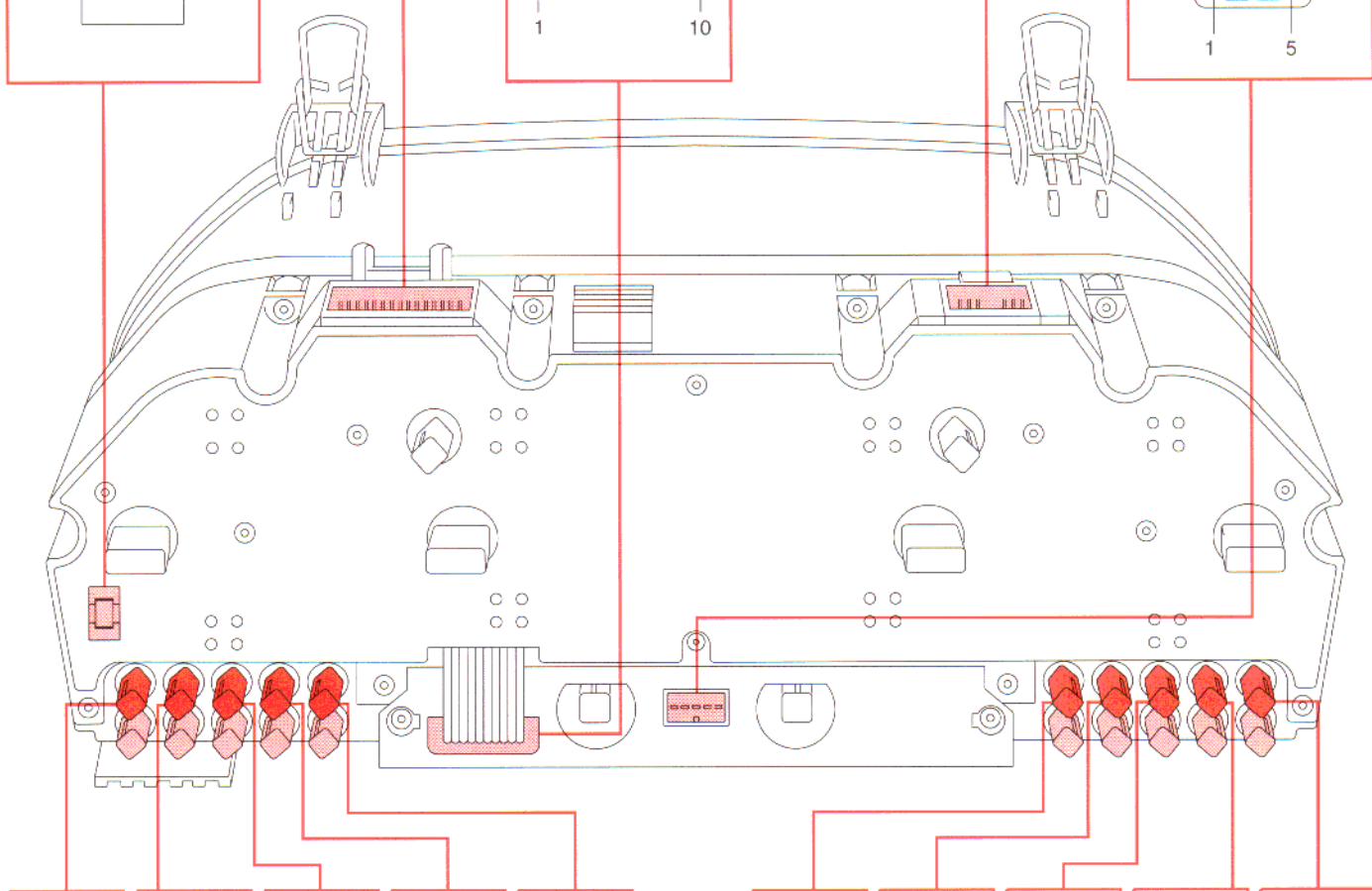
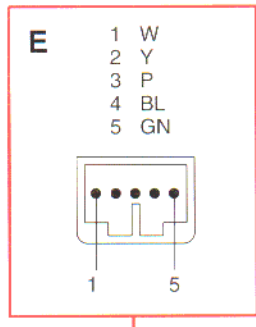
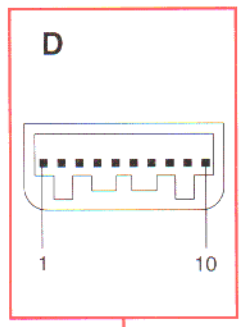
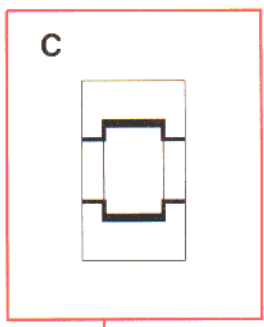
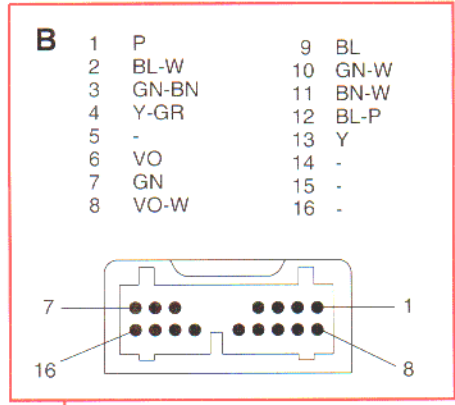
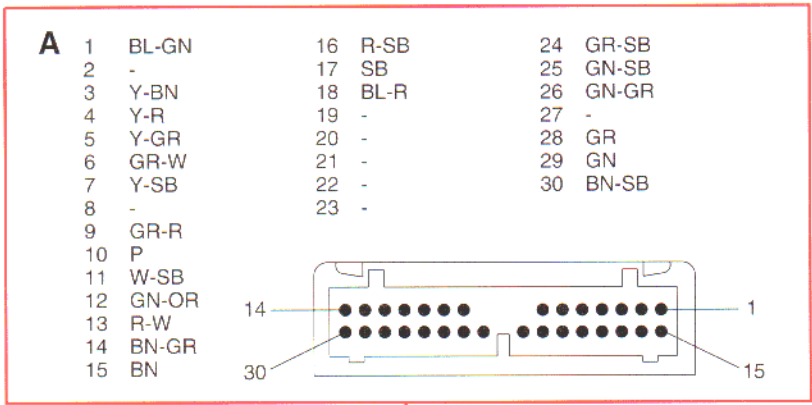
- 1 Fuel consumption
- 2 Outside temperature sensor (+)
- 3 Outside temperature sensor (-)
- 4 Signal ground (31/51)
- 5 SPARE
- 6 Voltage supply +30 (5V stabilized)
- 7 Fuel level
- 8 Digital speedometer output
48 pulses/revolution
- 9 Rheostat, instrument lighting (+)
- 10 Voltage supply +15 (8V stabilized)

E 5-pin connector

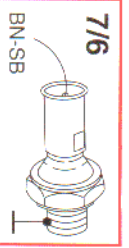
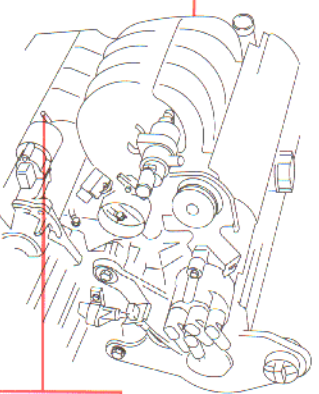
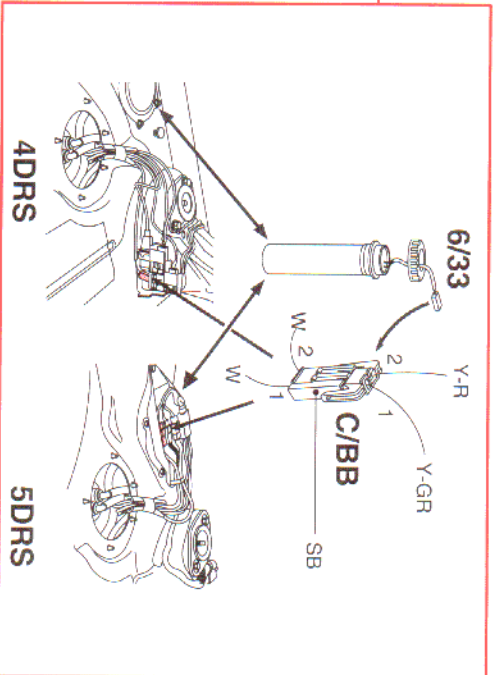
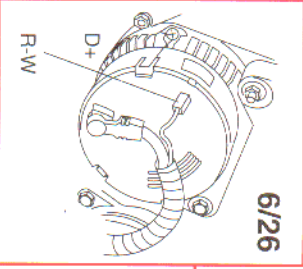
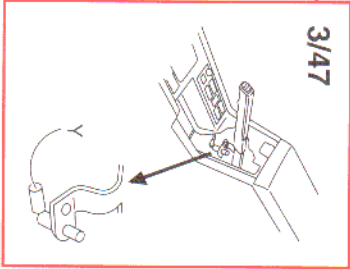
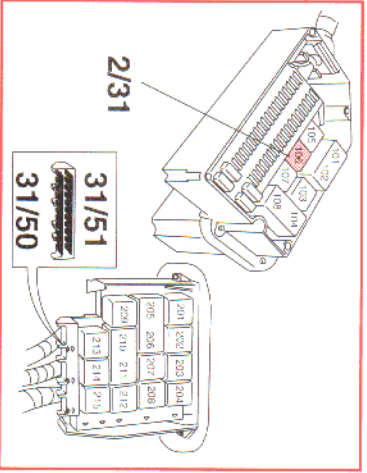
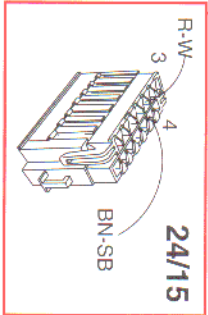
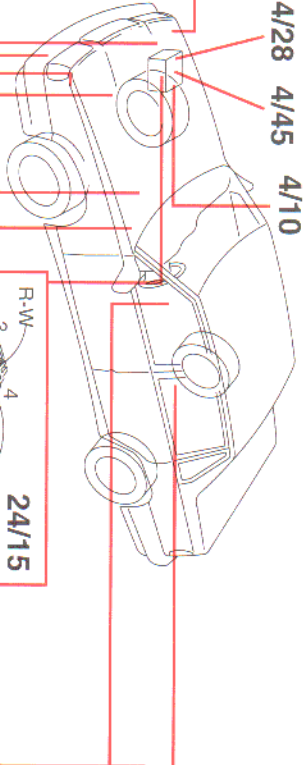
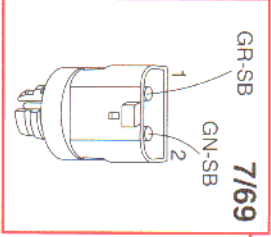
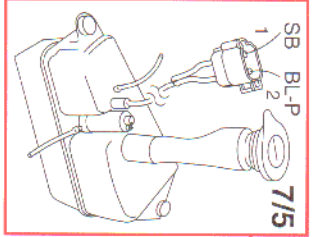
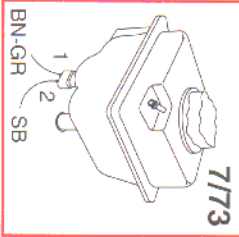
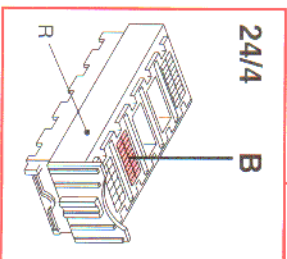
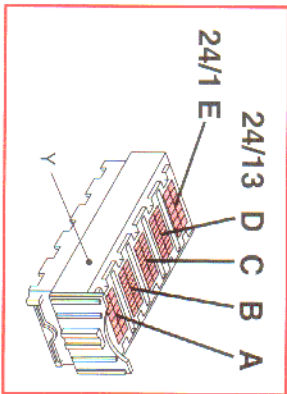
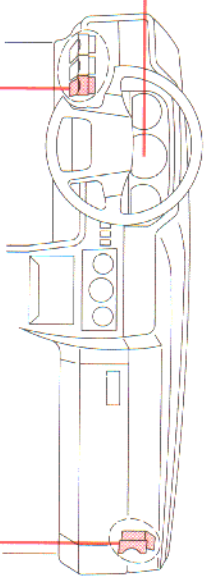
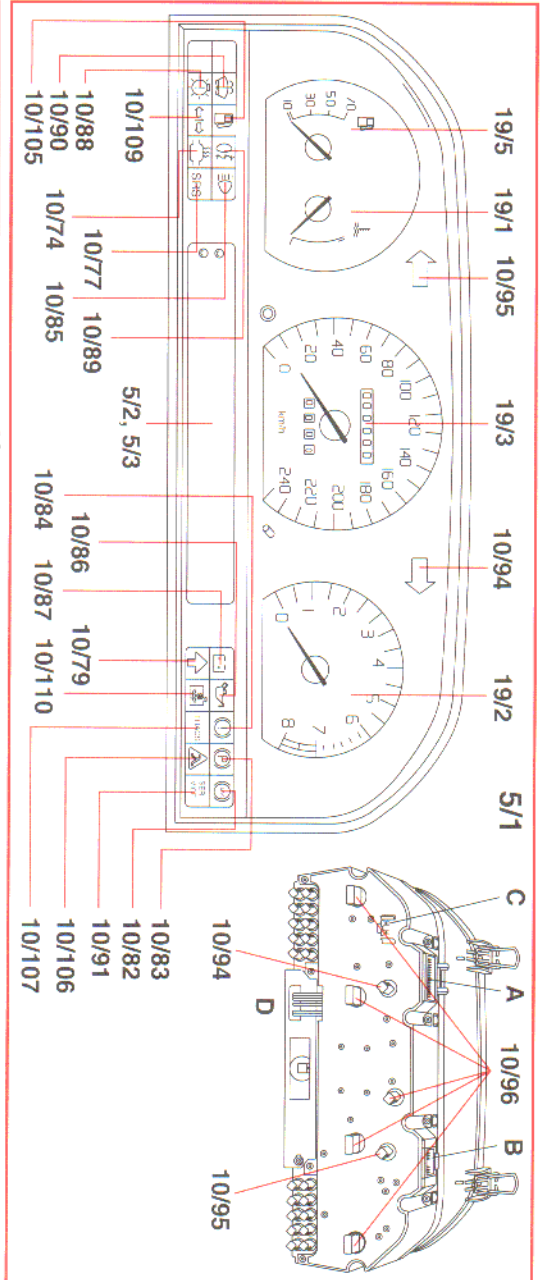
Rheostat, instrument lighting (+)
Signal ground (31/51)
Function signal
Function signal
Function signal

Instrument lamps

- | | | | |
|-------|---|--------|---|
| 10/74 | Warning lamp, exhaust temperature | 10/88 | Warning lamp, bulb failure warning sensor |
| 10/77 | Warning lamp, SRS | 10/89 | Warning lamp, rear fog lights |
| 10/79 | Warning lamp, winter program and low gear selection
(automatic transmission) | 10/90 | Warning lamp, washer fluid level |
| 10/82 | Warning lamp, ABS | 10/91 | Service warning |
| 10/83 | Warning lamp, handbrake | 10/105 | Fuel level warning lamp |
| 10/84 | Brake warning lamp | 10/106 | Warning lamp, Check engine |
| 10/85 | Warning lamp, high beam | 10/107 | TRACS warning lamp |
| 10/86 | Warning lamp, oil pressure | 10/109 | Warning lamp, trailer |
| 10/87 | Warning lamp, charging | 10/110 | Coolant level warning lamp |



19/5 19/1 10/95 19/3 10/94 19/2 5/1



Combined instrument panel, Yasaki

Connectors in combined instrument panel

A 30-pin connector

- 1 Turn signal, right (+)
- 2 -
- 3 Speedometer, input signal
- 4 Fuel level sensor (-)
- 5 Fuel level sensor (+)
- 6 Digital speedometer output 48 pulses/revolution
- 7 Digital speedometer output 12 pulses/revolution
- 8 SPARE
- 9 SPARE
- 10 Rheostat, instrument lighting (+)
- 11 Tachometer, input signal
- 12 Winter program and low gear selection (automatic transmission)
- 13 Generator signal, D+
- 14 Coolant level sensor
- 15 Signal ground (31/51)
- 16 Voltage supply +30
- 17 Power ground (31/50)
- 18 Voltage supply +15
- 19 SPARE
- 20 SPARE
- 21 SPARE
- 22 SPARE
- 23 SPARE
- 24 Outside temperature sensor (+)
- 25 Outside temperature sensor (-)
- 26 Engine coolant temperature sensor
- 27 SPARE
- 28 Brake fluid level sensor (-)
- 29 TRACS
- 30 Oil pressure sensor (-)

B 16-pin connector

- 1 Exhaust temp. sensor (-)
- 2 High beam (+)
- 3 SRS sensor unit
- 4 SPARE
- 5 SPARE
- 6 ABS brake system
- 7 Turn signal, left (+)
- 8 Rear fog lights (+)
- 9 Turn signal, trailer (+)
- 10 Bulb failure warning sensor (-)
- 11 Check engine (-)
- 12 Washer fluid level sensor (-)
- 13 Handbrake contact (-)
- 14 SPARE
- 15 SPARE
- 16 SPARE

D 10-pin connector

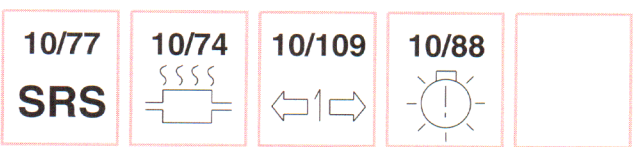
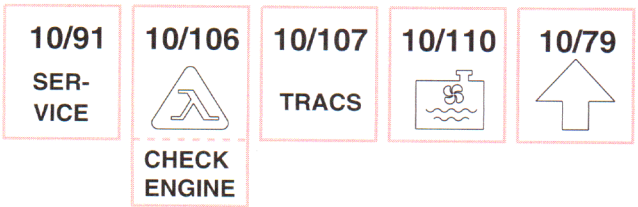
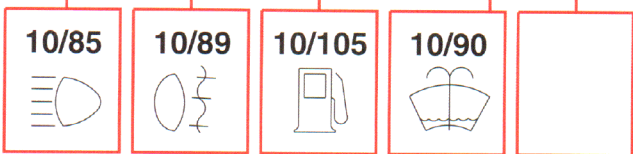
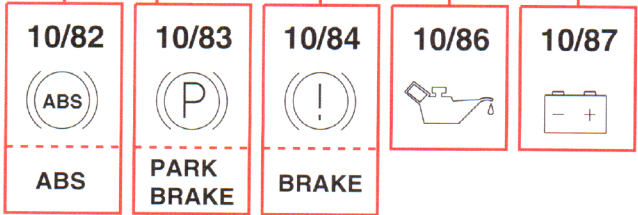
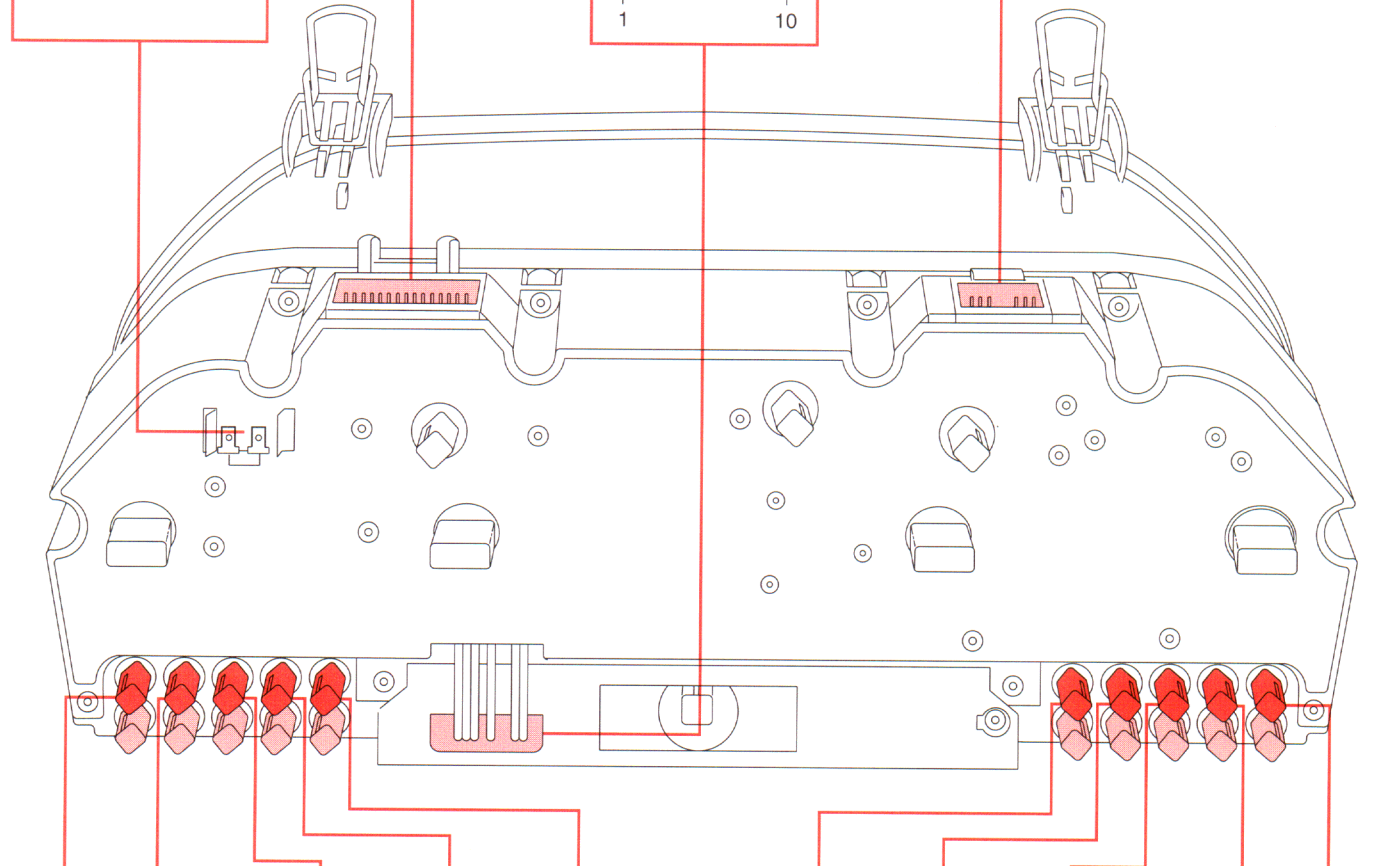
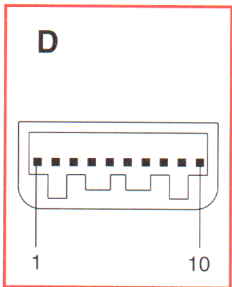
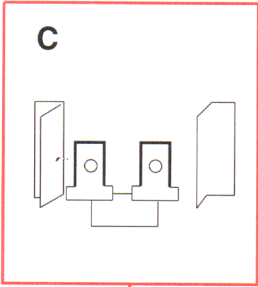
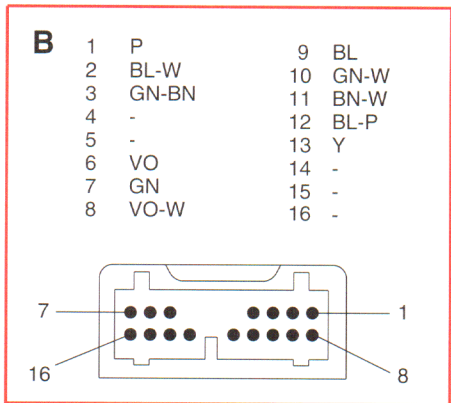
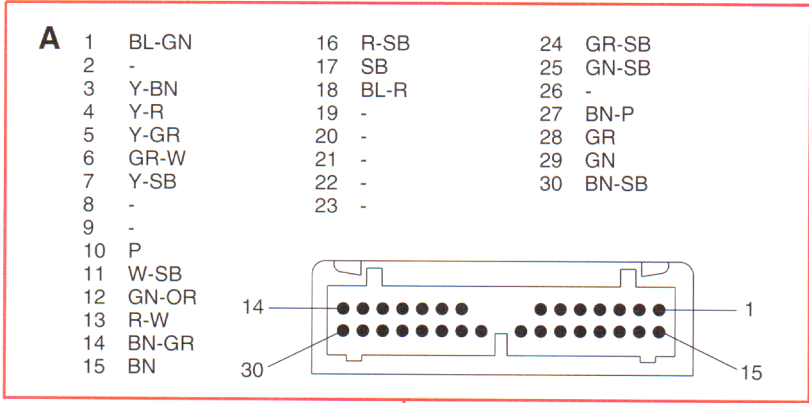
- 1 SPARE
- 2 Outside temperature sensor (+)
- 3 Outside temperature sensor (-)
- 4 Power ground (31/50)
- 5 SPARE
- 6 Voltage supply +30 (5V stabilized)
- 7 SPARE
- 8 SPARE
- 9 Rheostat, instrument lighting (+)
- 10 Voltage supply +15 (8V stabilized)

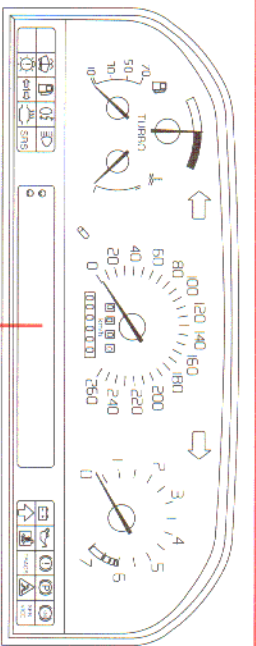
C 1-pin connector (double spade pin)

Digital speedometer output, 12 pulses/revolution
(for accessories)

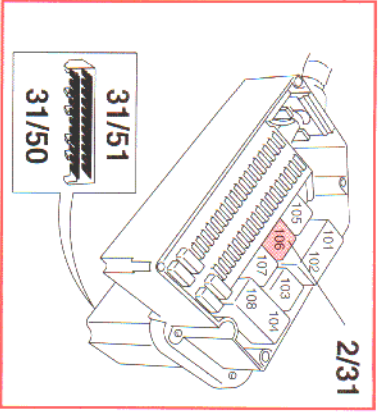
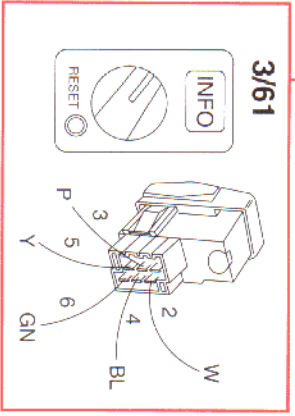
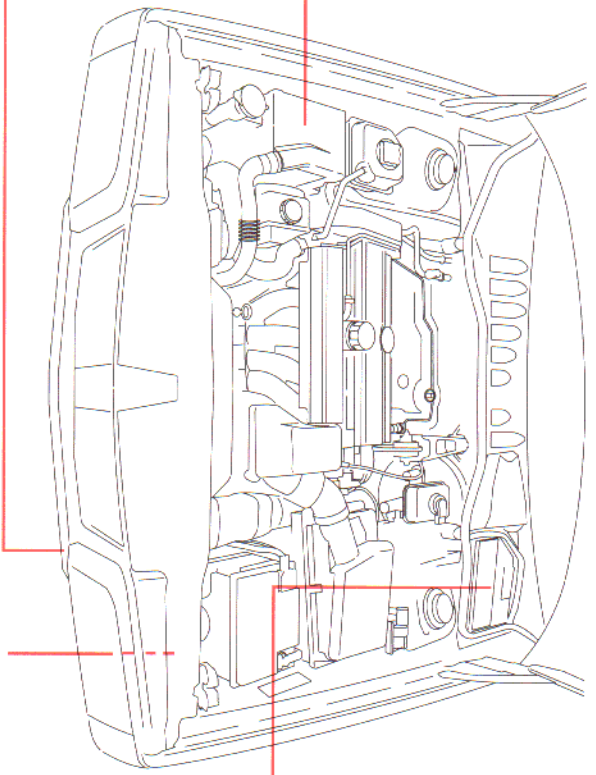
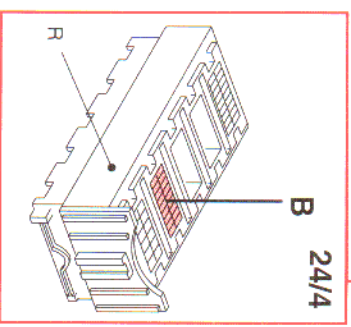
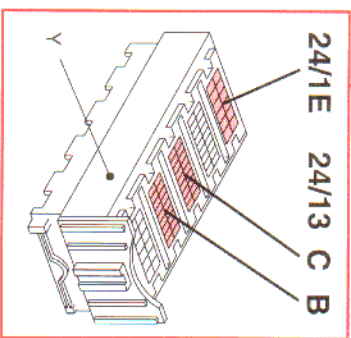
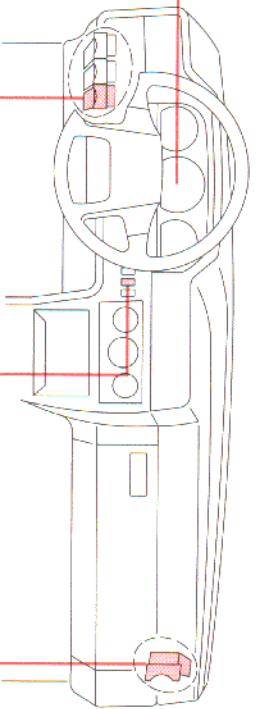
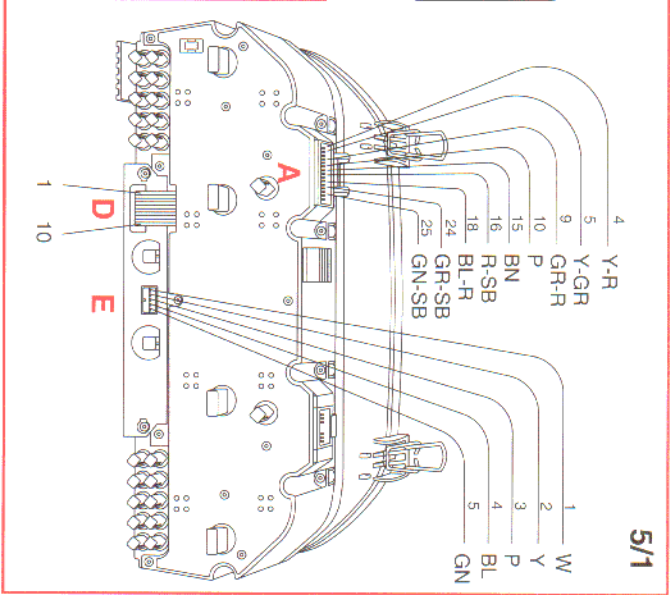
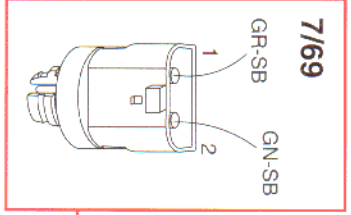
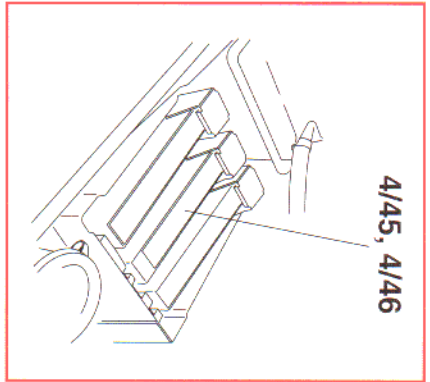
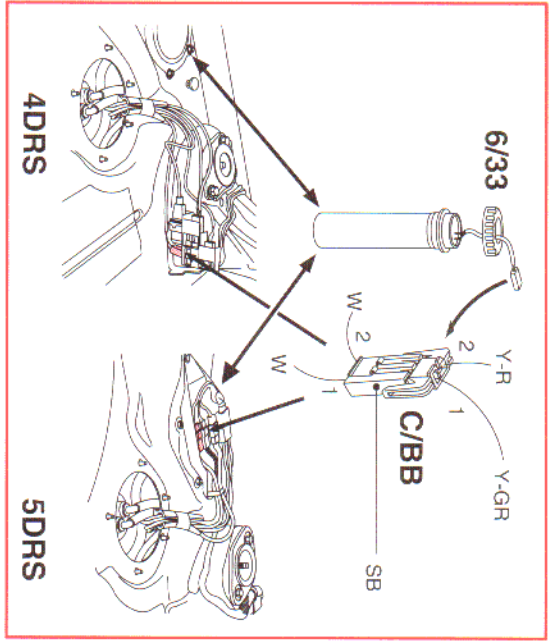
Instrument lamps

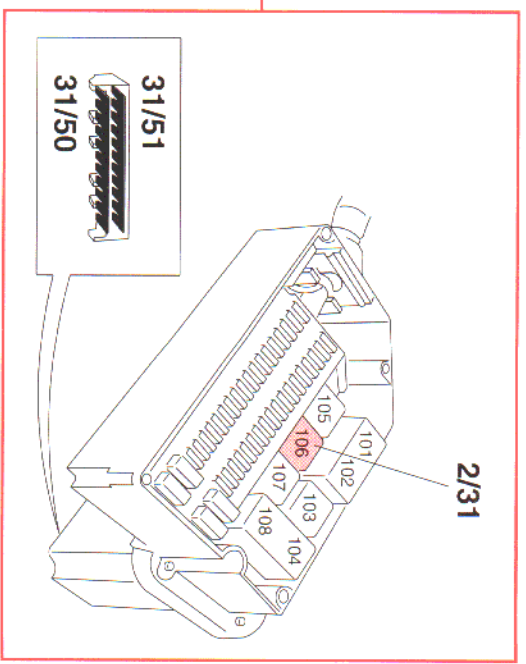
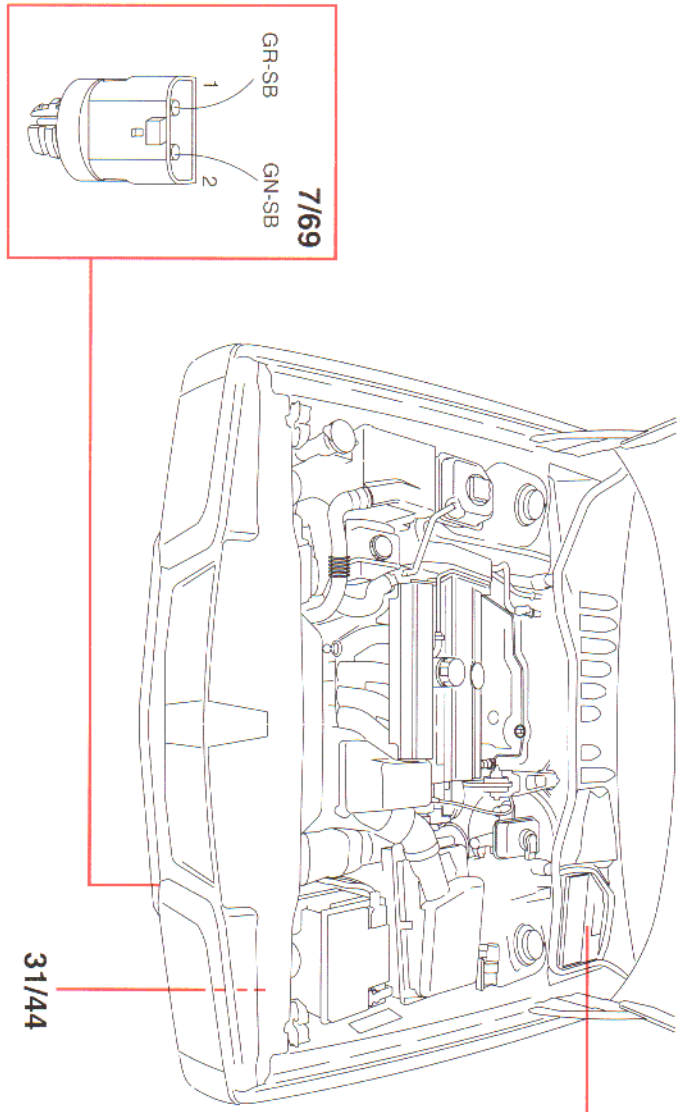
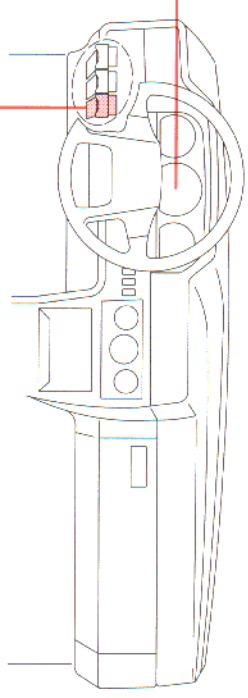
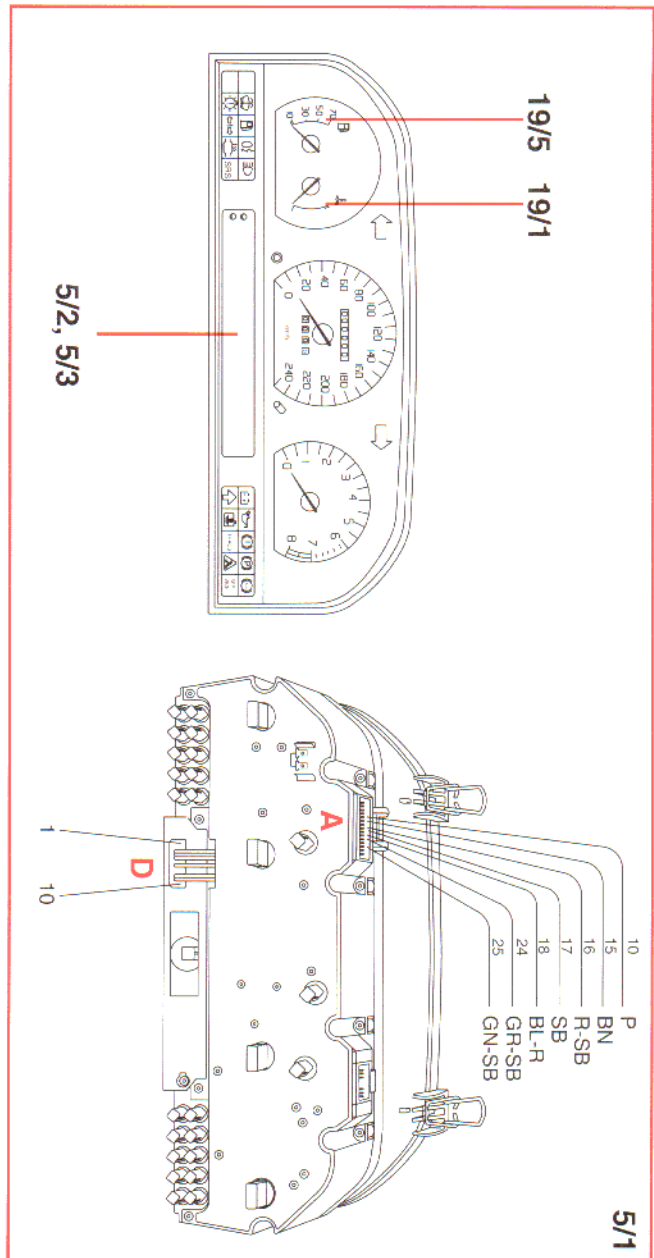
- | | | | |
|-------|--|--------|---|
| 10/74 | Warning lamp, exhaust temperature | 10/88 | Warning lamp, bulb failure warning sensor |
| 10/77 | Warning lamp, SRS | 10/89 | Warning lamp, rear fog lights |
| 10/79 | Warning lamp, winter program and low gear selection (automatic transmission) | 10/90 | Warning lamp, washer fluid level |
| 10/82 | Warning lamp, ABS | 10/91 | Service warning |
| 10/83 | Warning lamp, handbrake | 10/105 | Fuel level warning lamp |
| 10/84 | Brake warning lamp | 10/106 | Warning lamp, Check engine |
| 10/85 | Warning lamp, high beam | 10/107 | TRACS warning lamp |
| 10/86 | Warning lamp, oil pressure | 10/109 | Warning lamp, trailer |
| 10/87 | Warning lamp, charging | 10/110 | Coolant level warning lamp |

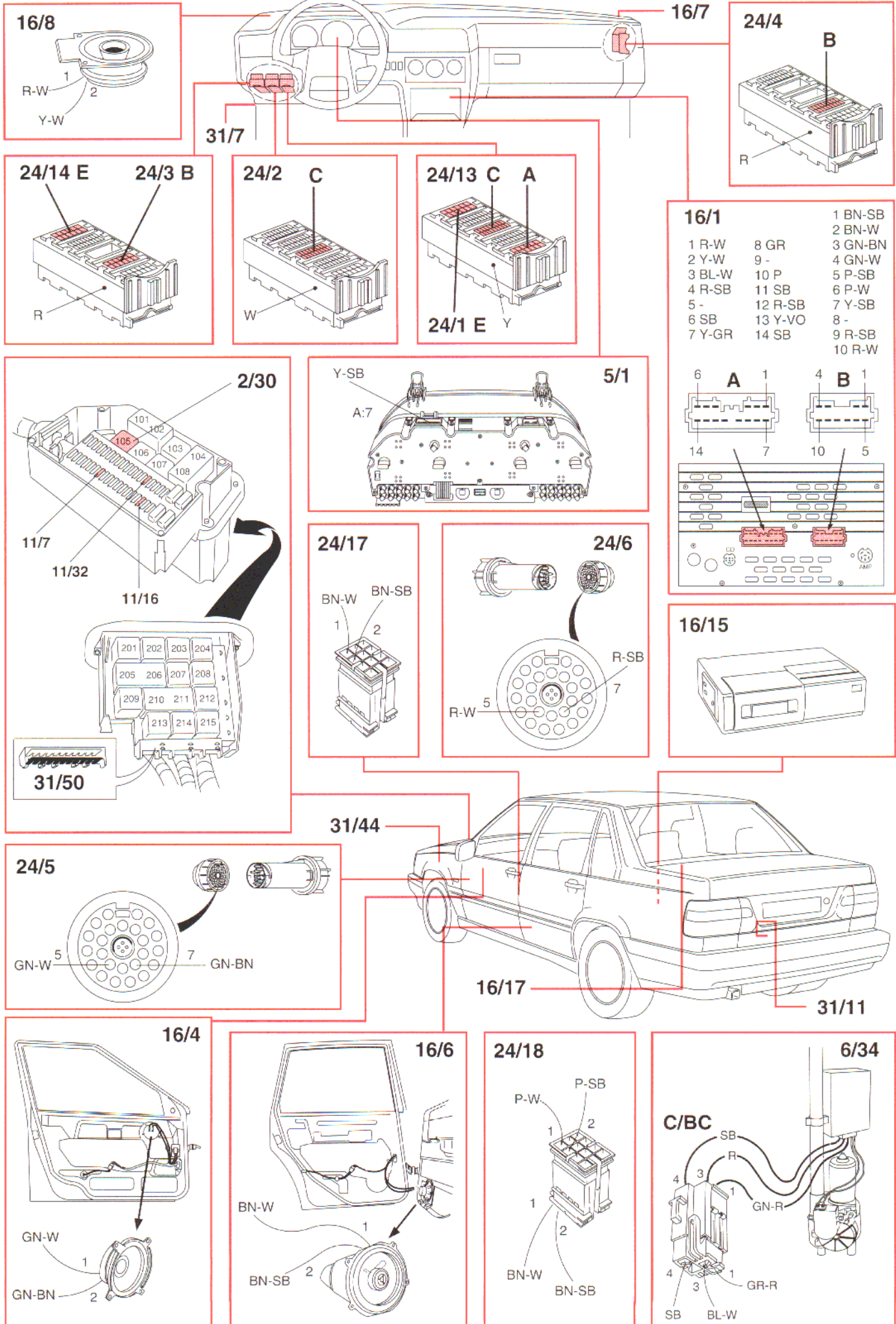


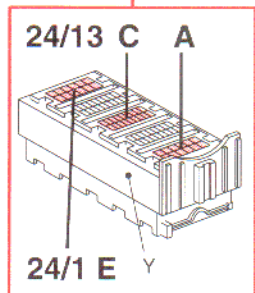
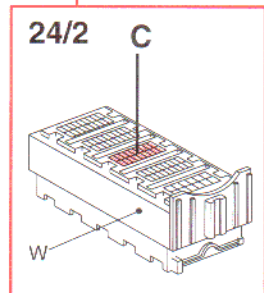
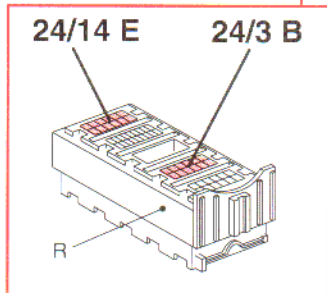
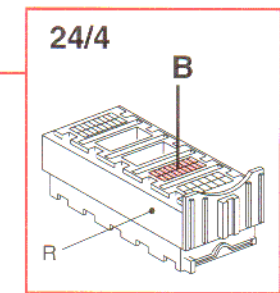
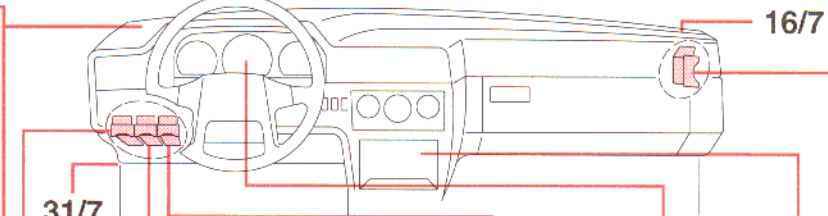
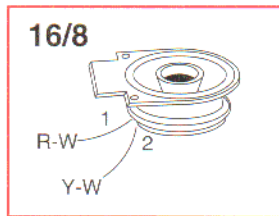


5/2, 5/3, 5/4



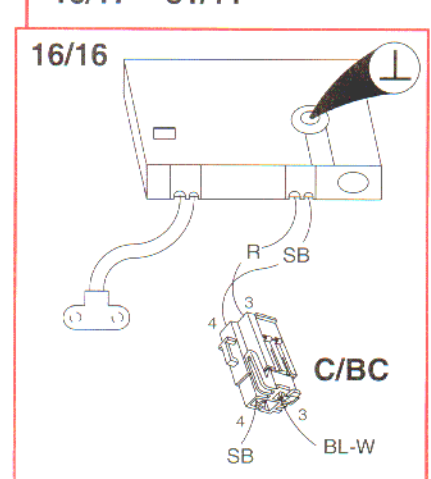
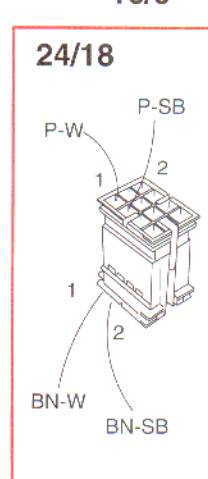
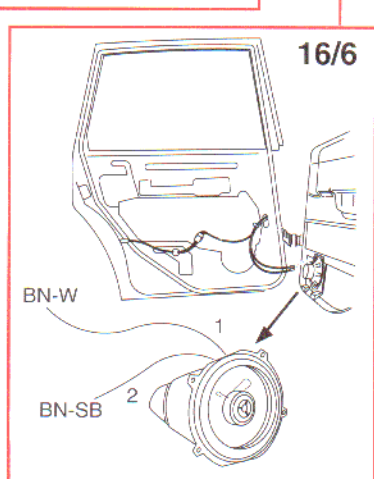
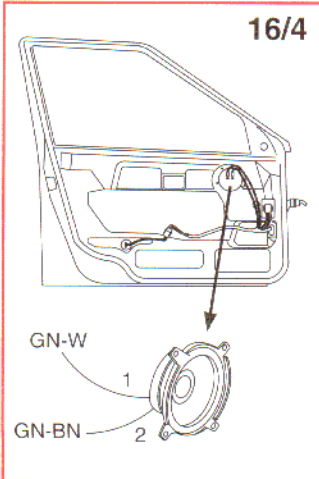
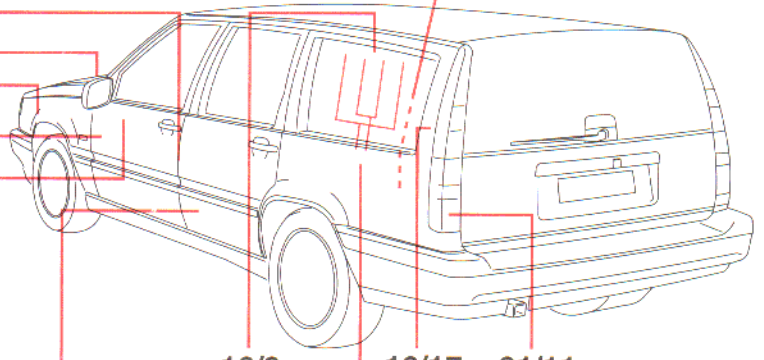
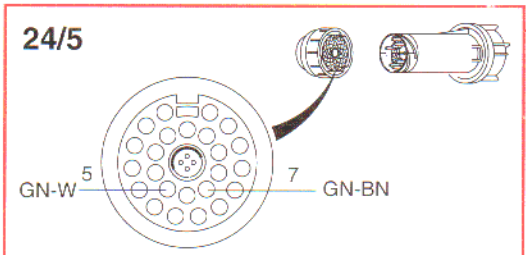
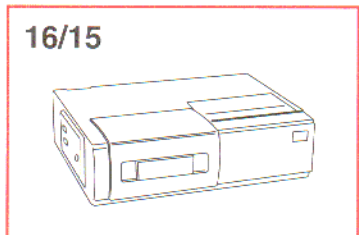
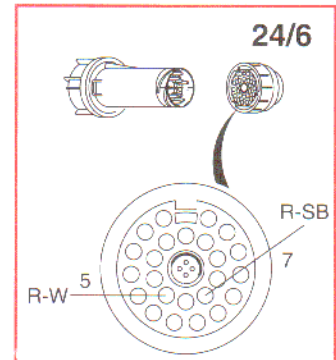
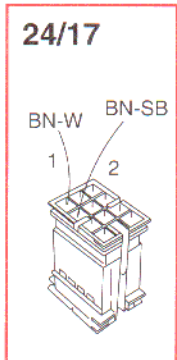
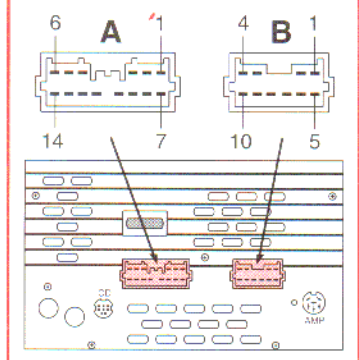
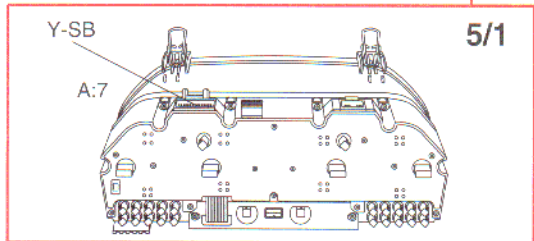
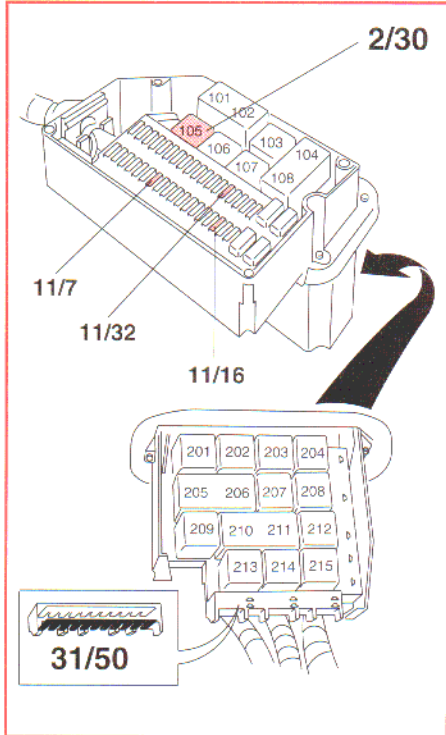


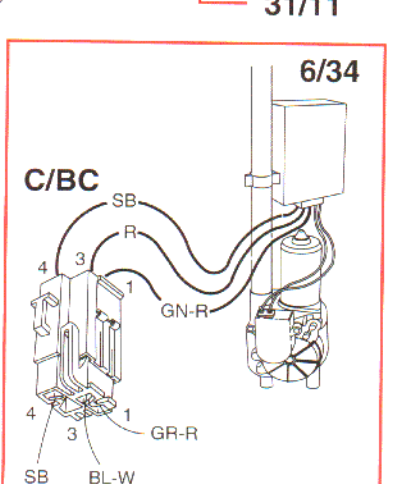
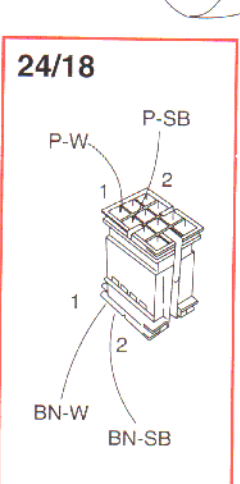
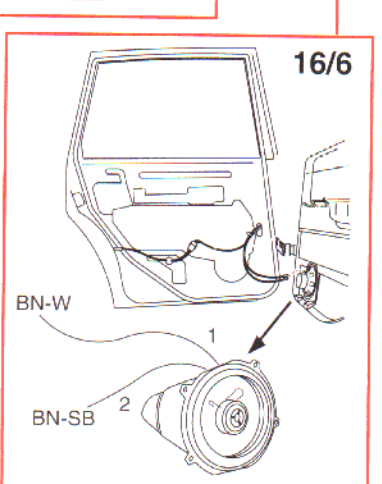
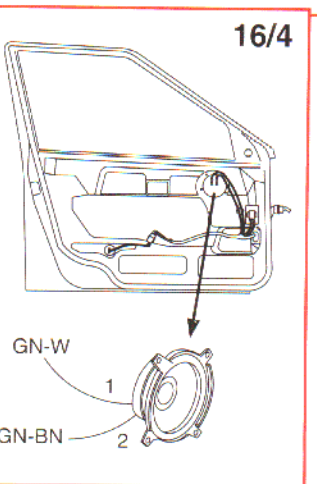
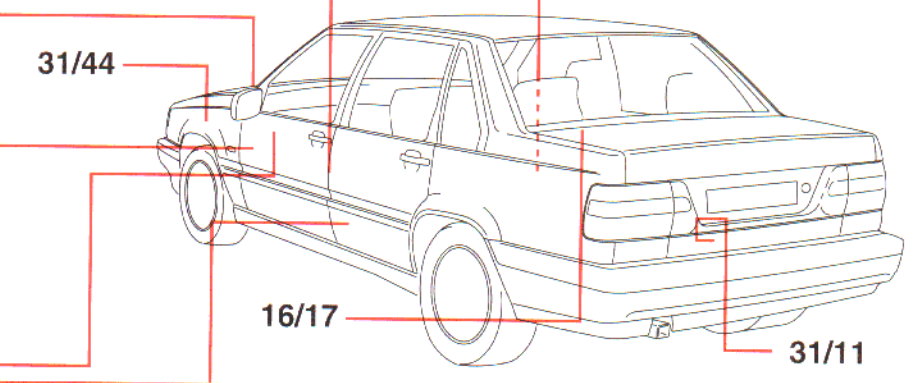
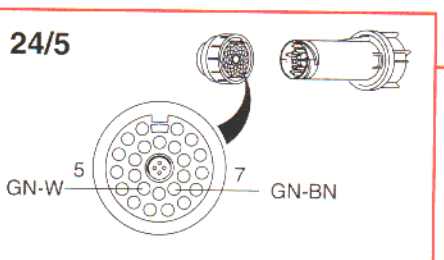
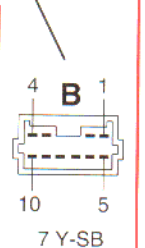
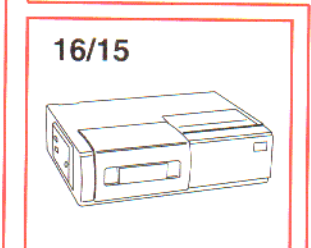
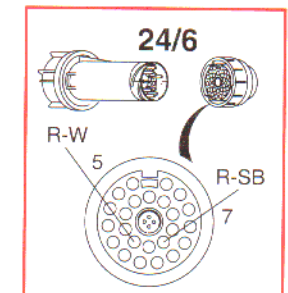
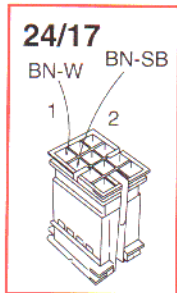
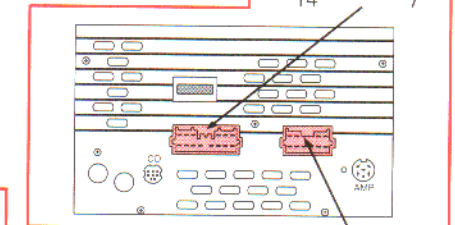
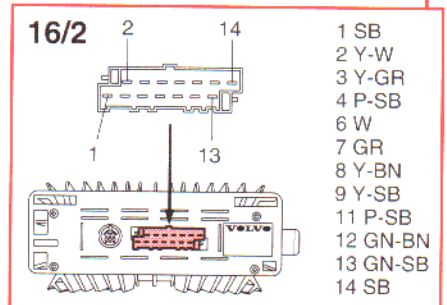
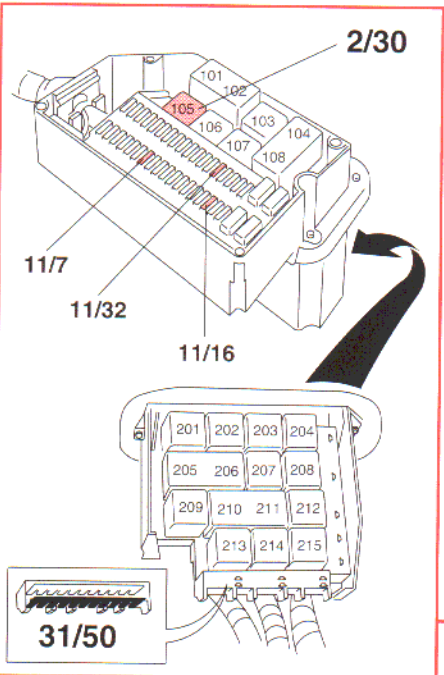
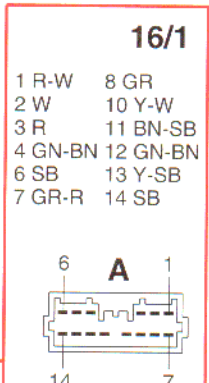
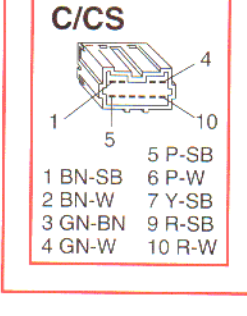
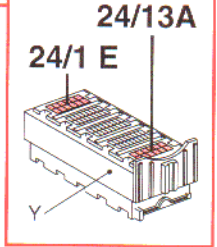
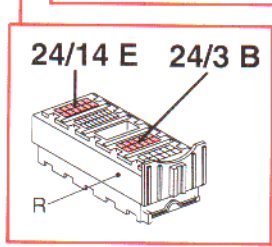
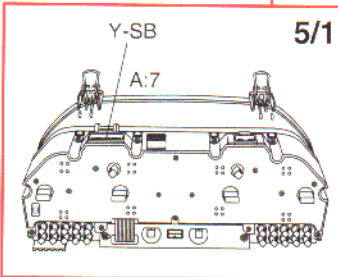
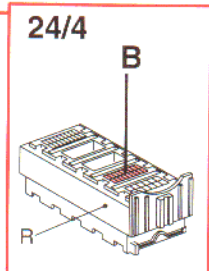
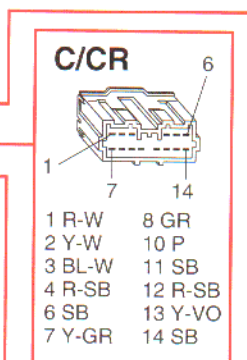
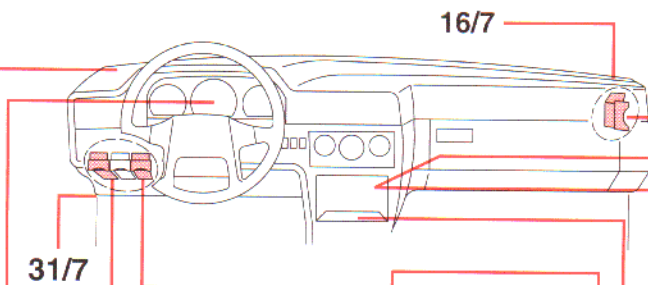
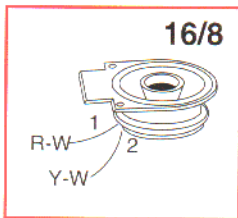


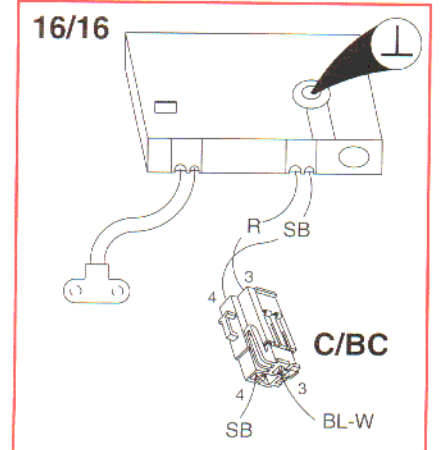
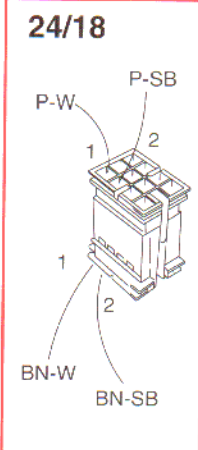
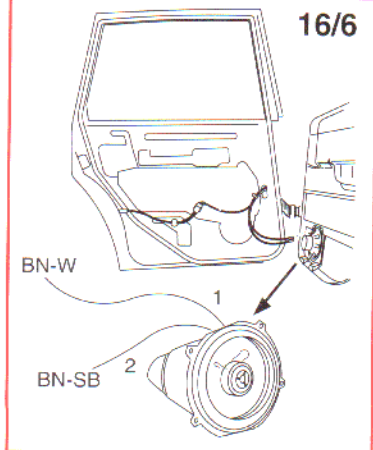
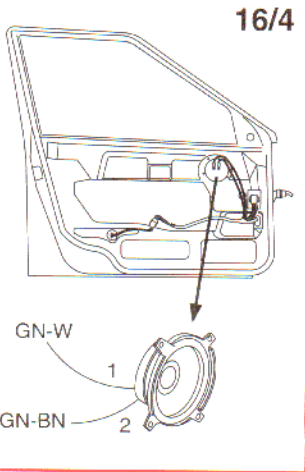
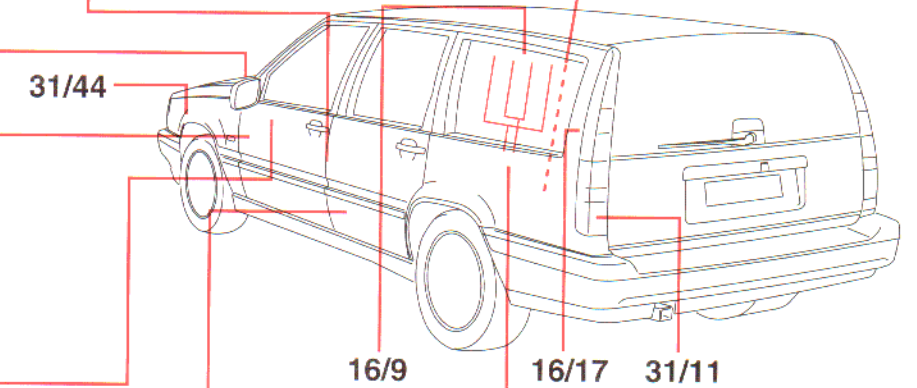
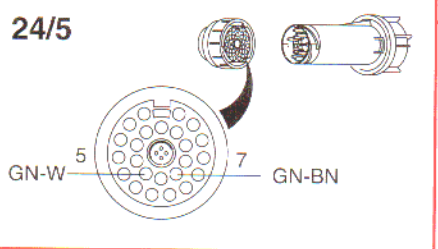
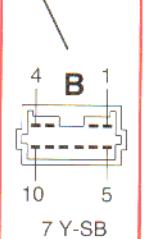
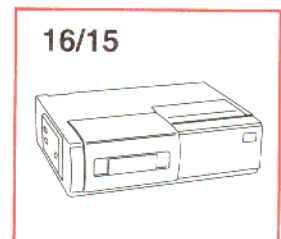
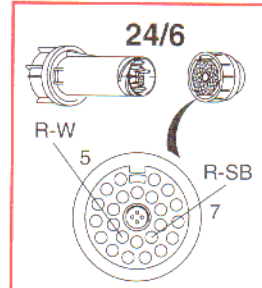
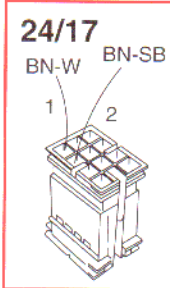
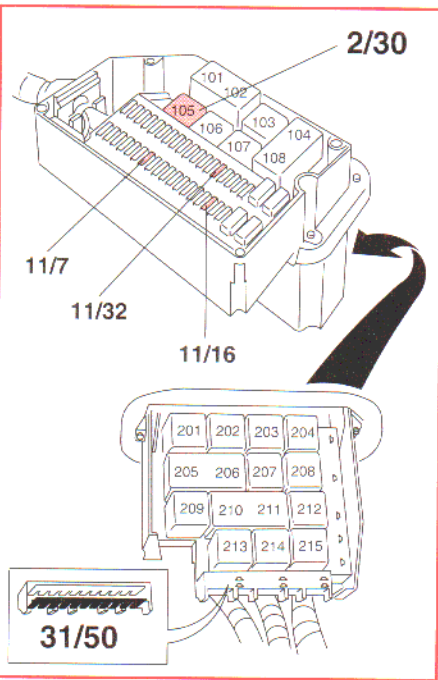
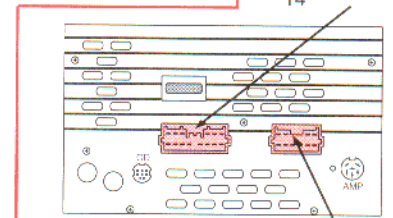
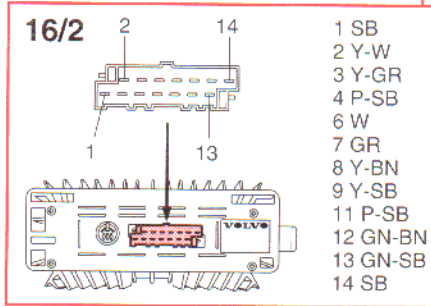
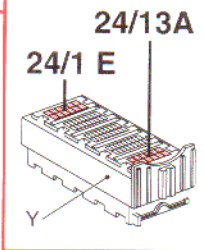
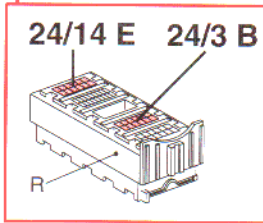
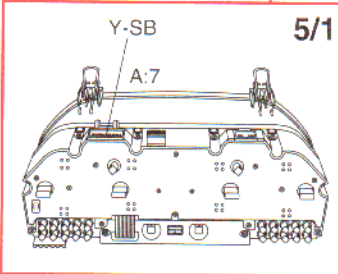
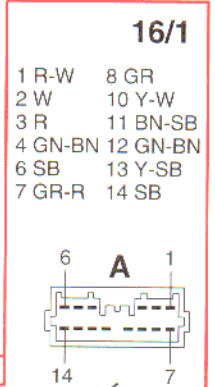
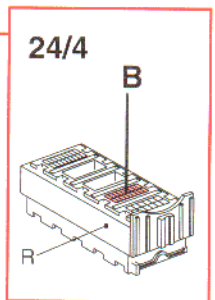
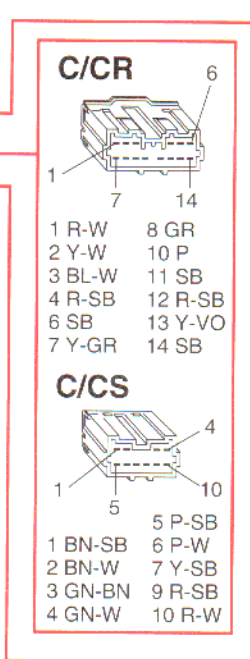
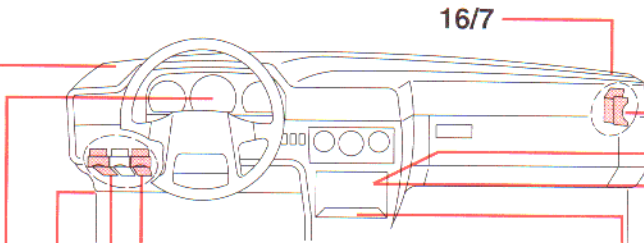
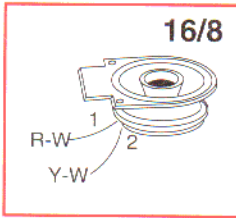


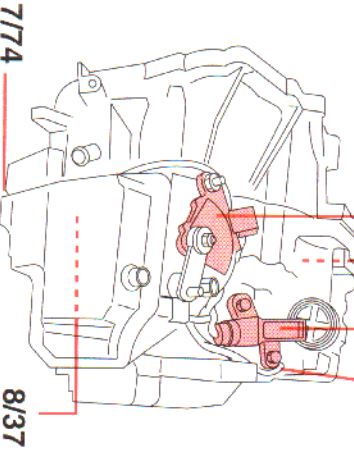
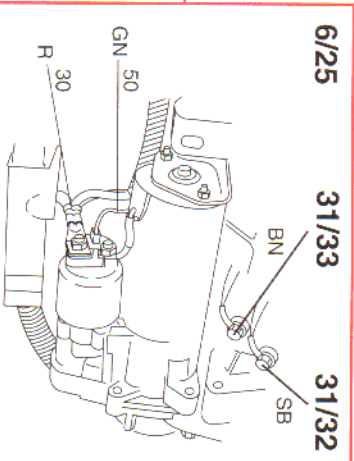
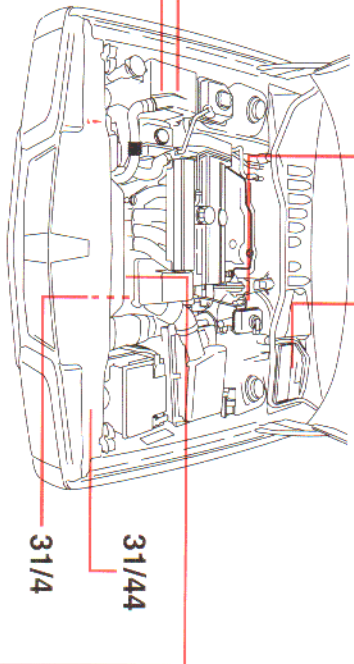
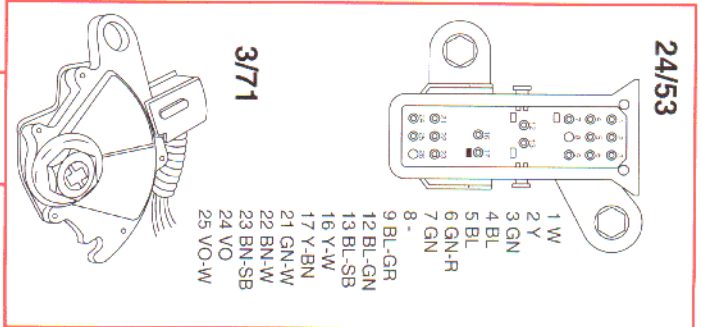
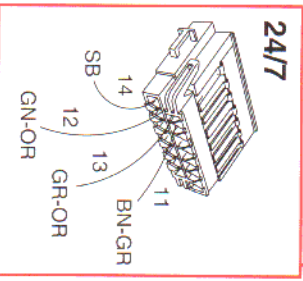
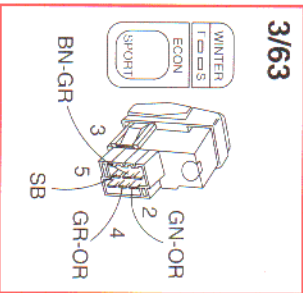
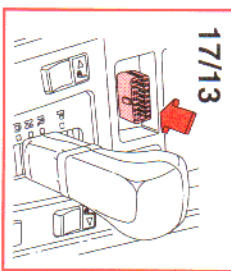
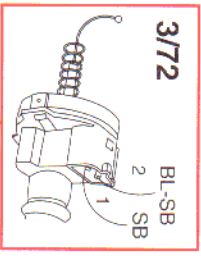
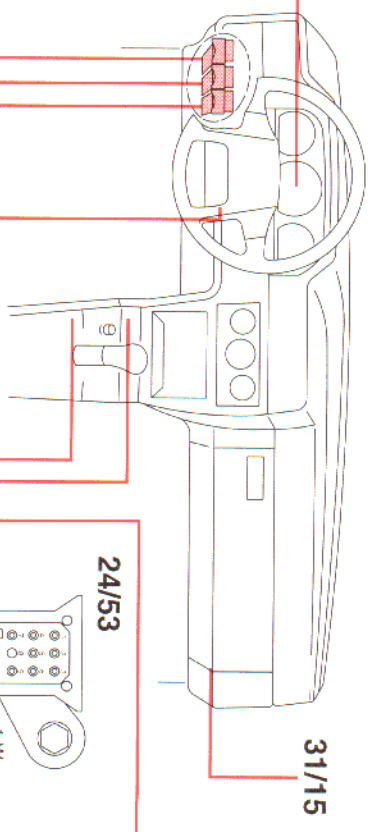
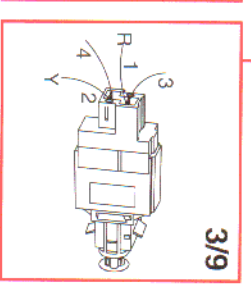
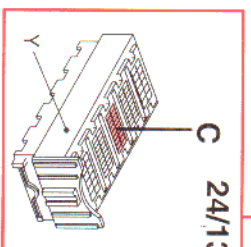
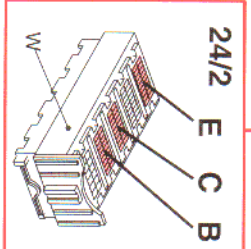
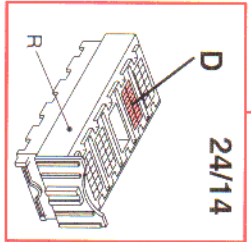
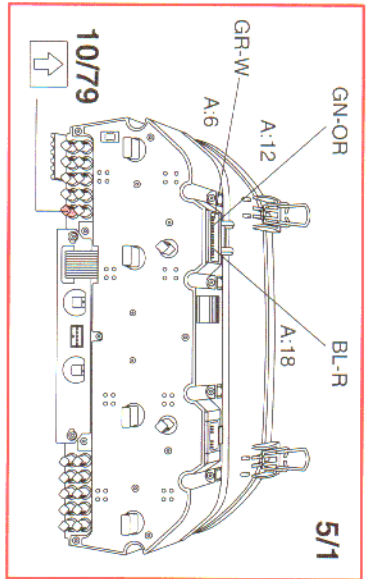
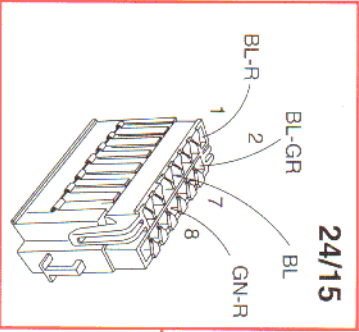
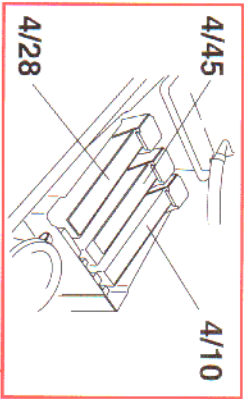
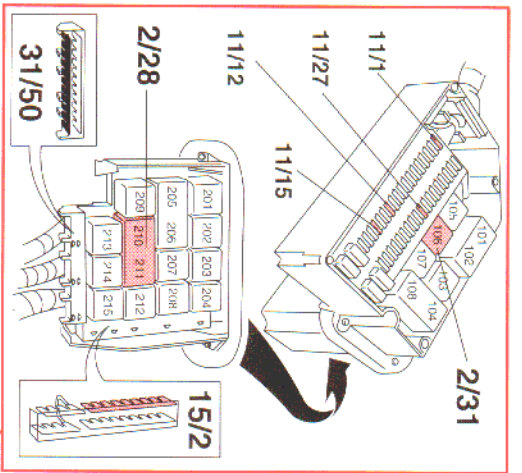
16/1

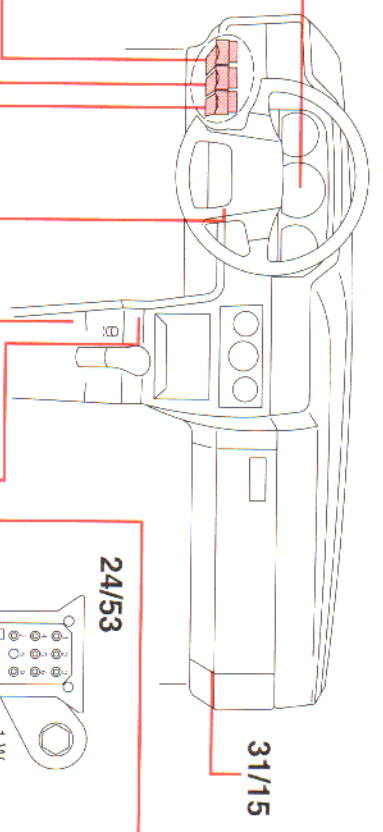
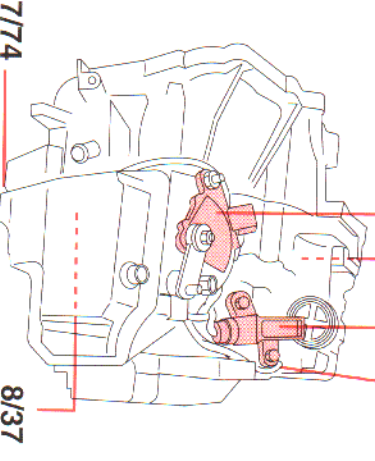
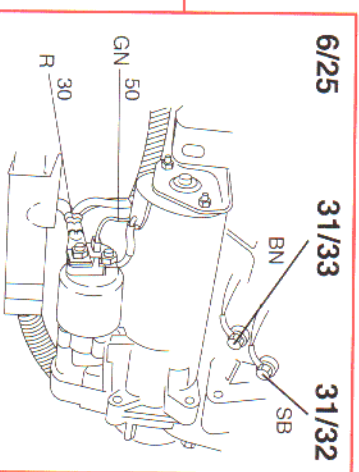
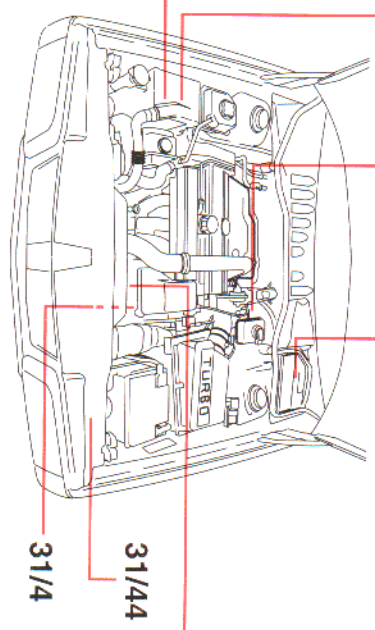
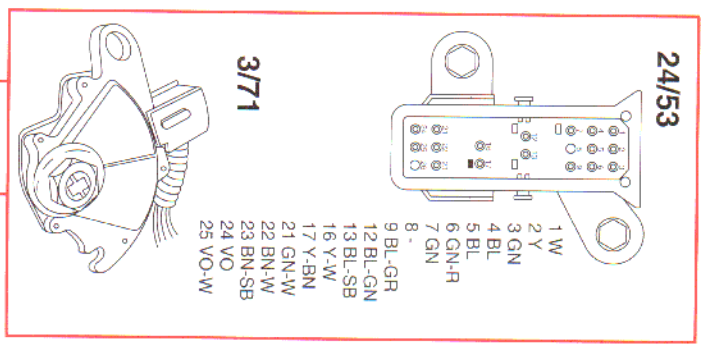
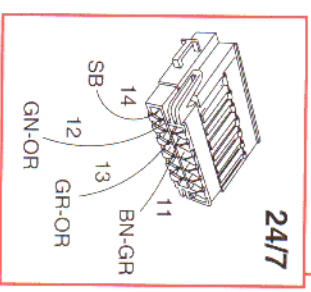
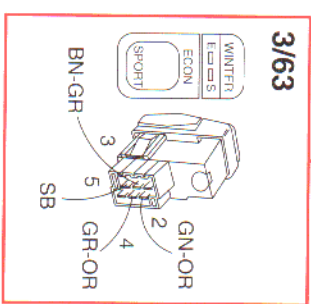
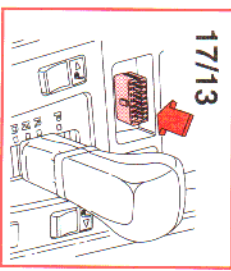
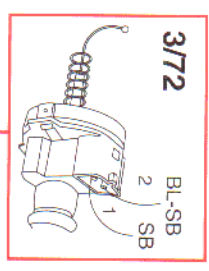
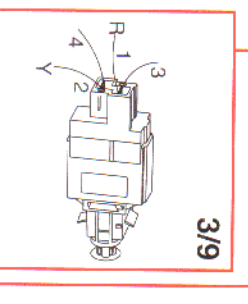
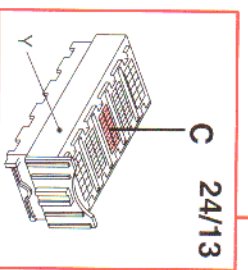
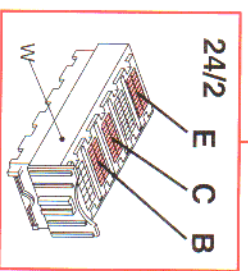
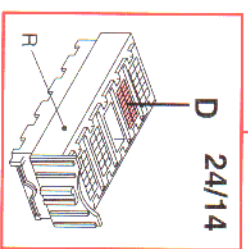
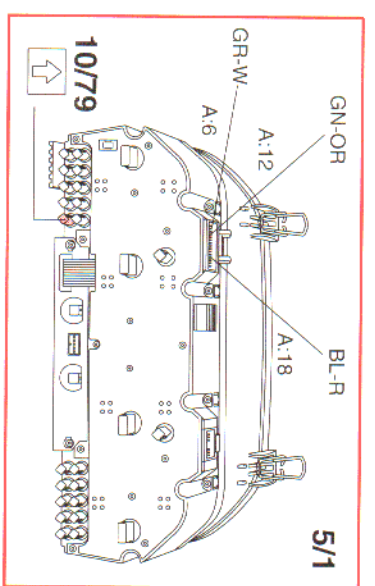
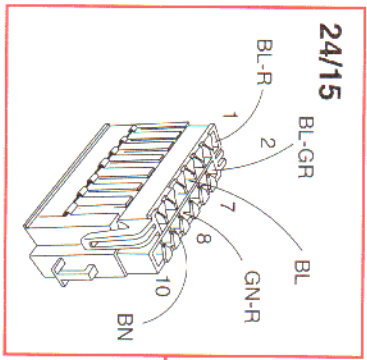
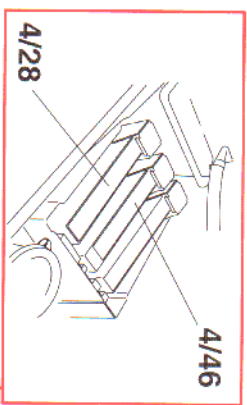
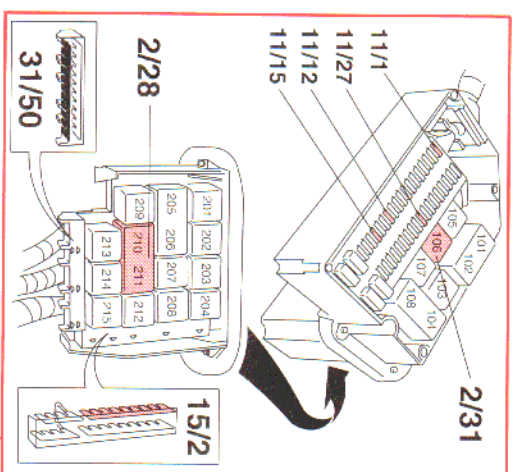
1 R-W	8 GR	1 BN-SB
2 Y-W	9 -	2 BN-W
3 BL-W	10 P	3 GN-BN
4 R-SB	11 SB	4 GN-W
5 -	12 R-SB	5 P-SB
6 SB	13 Y-VO	6 P-W
7 Y-GR	14 SB	7 Y-SB
		8 -
		9 R-SB
		10 R-W

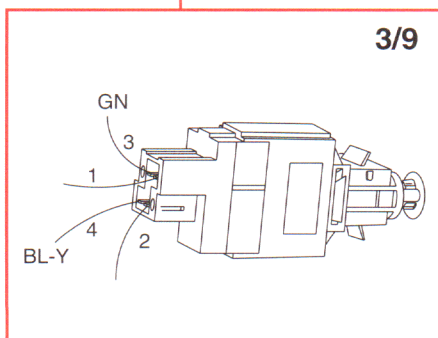
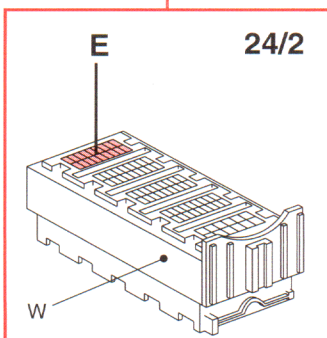
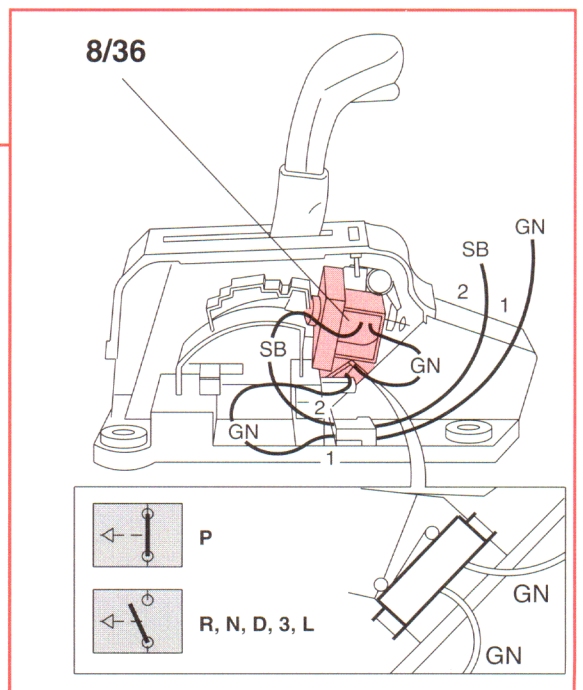
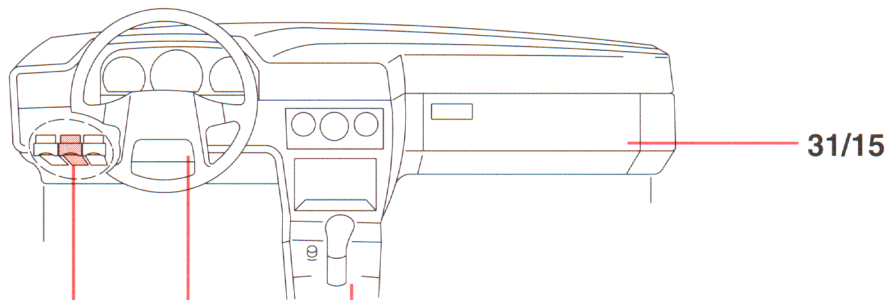
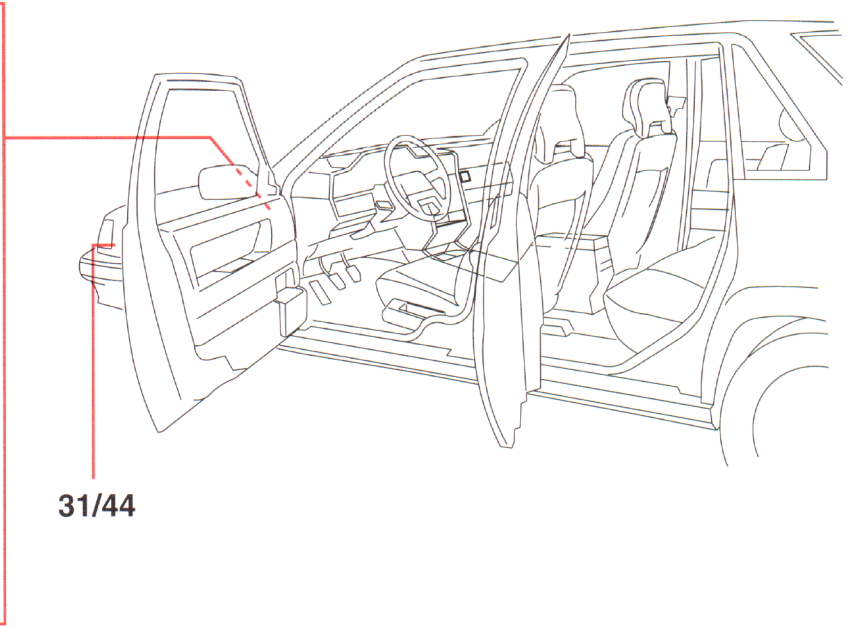
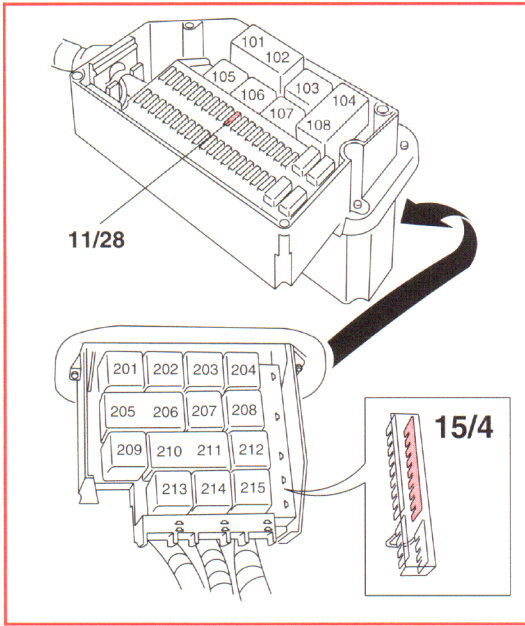


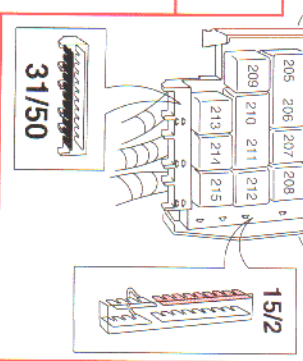
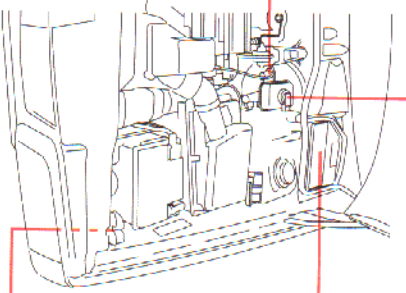
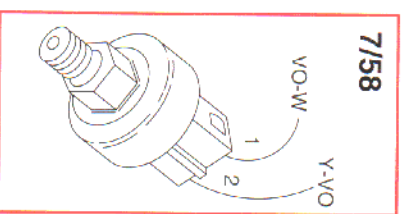
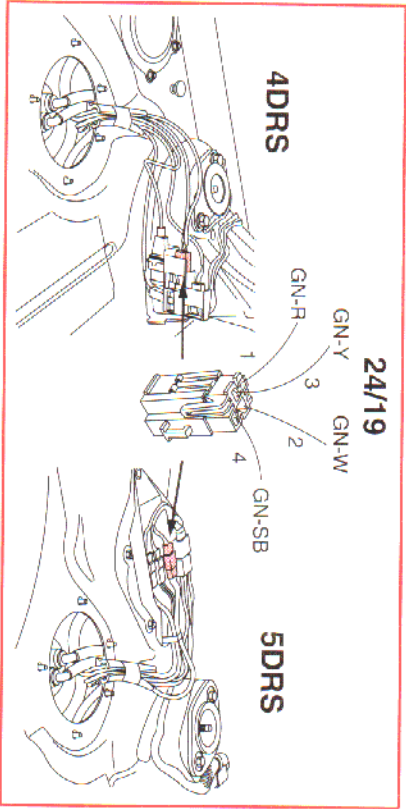
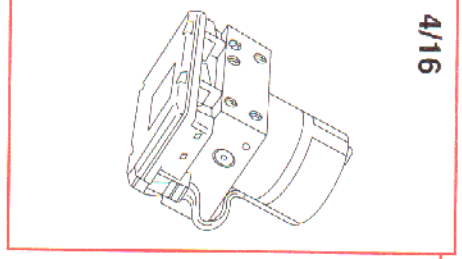
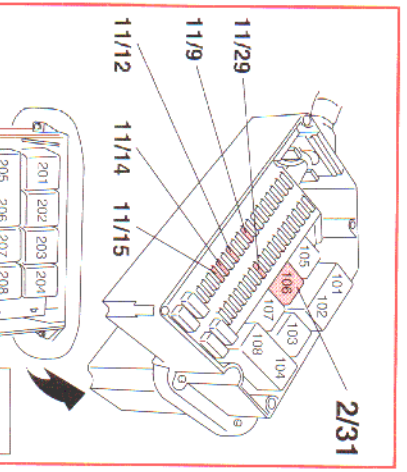
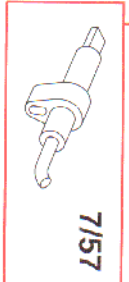
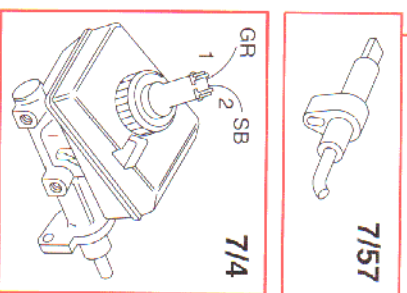
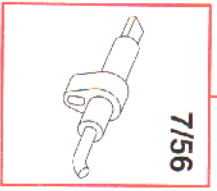
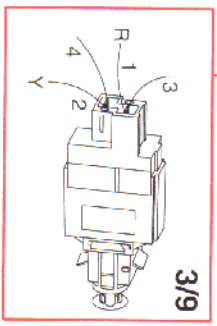
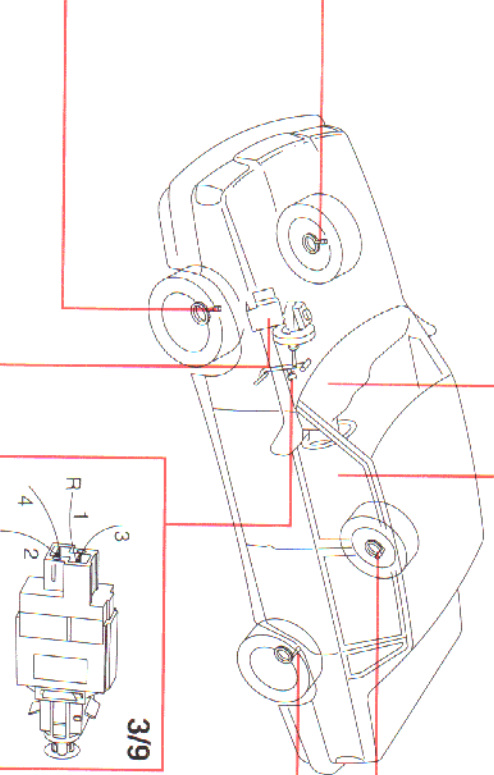
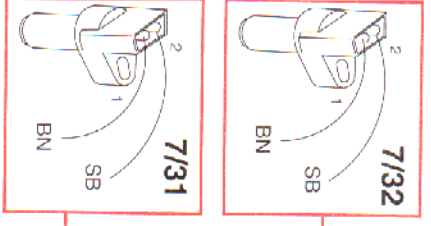
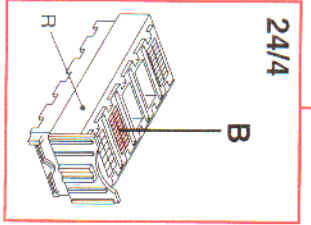
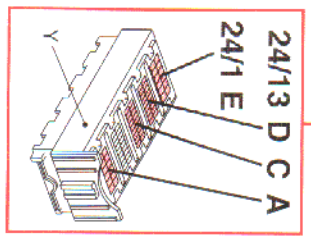
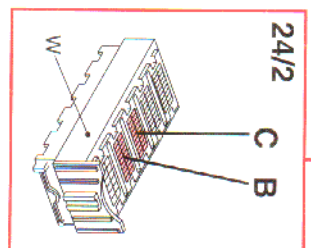
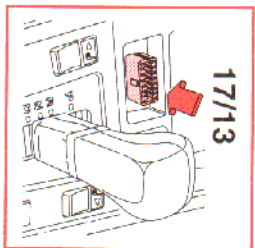
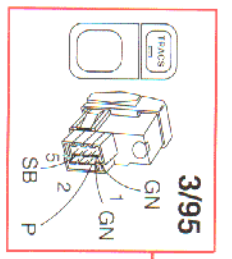
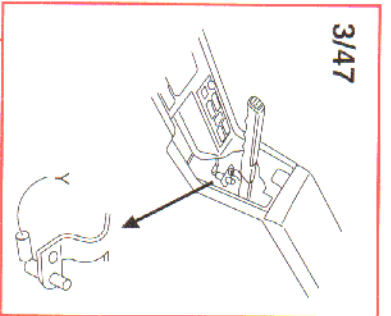
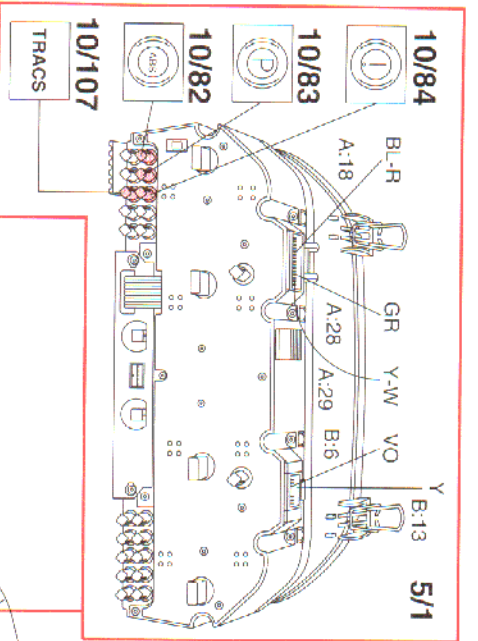




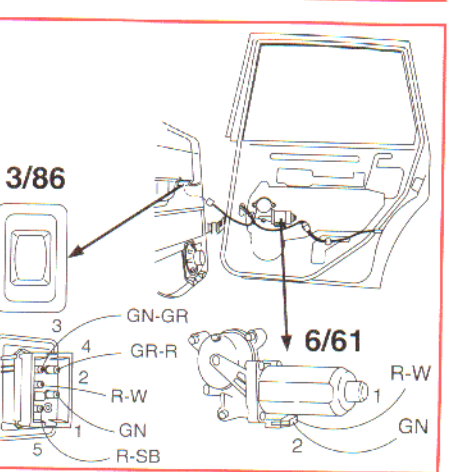
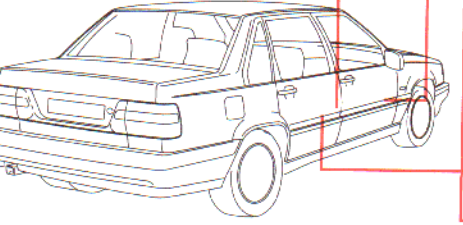
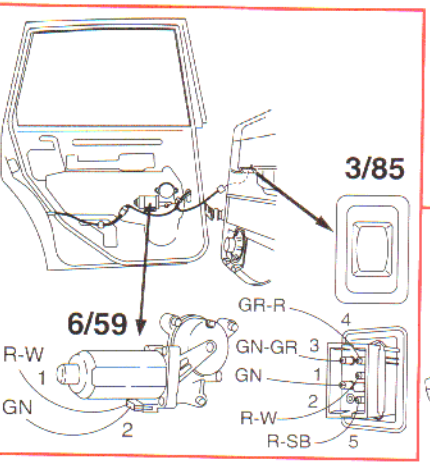
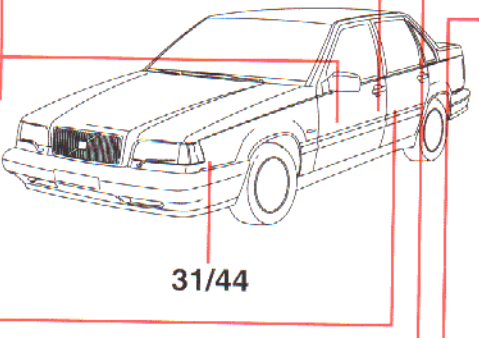
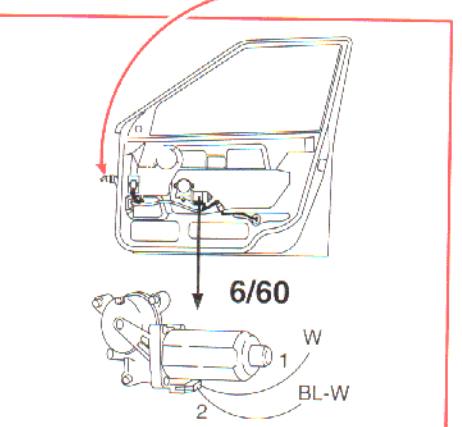
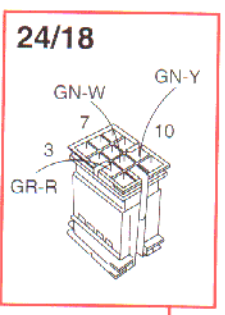
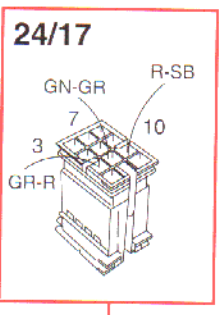
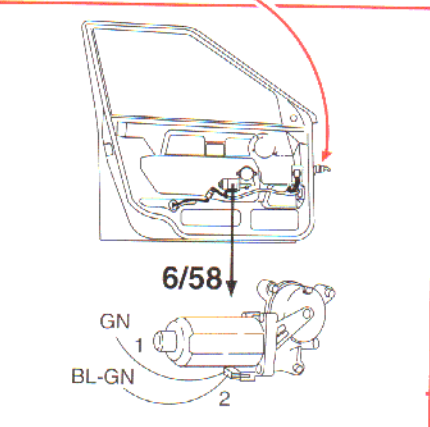
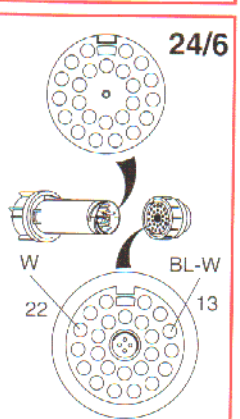
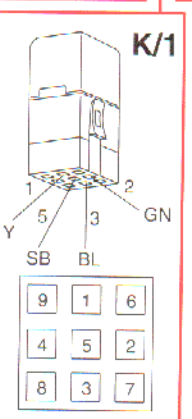
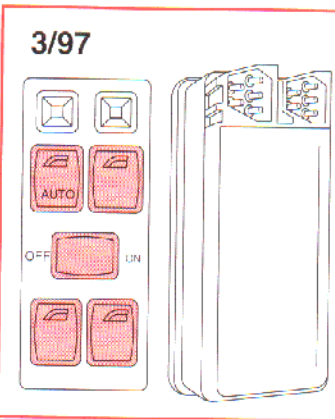
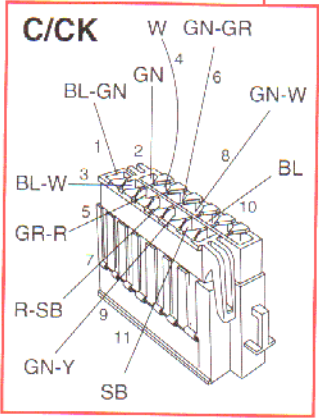
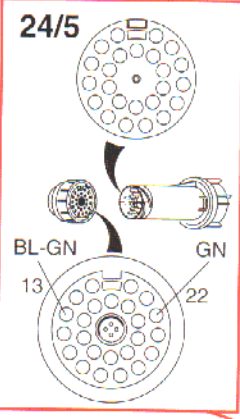
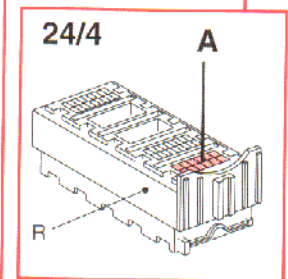
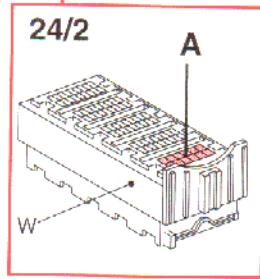
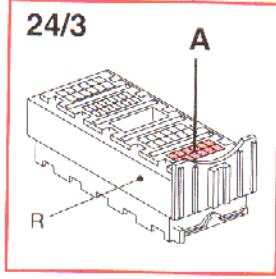
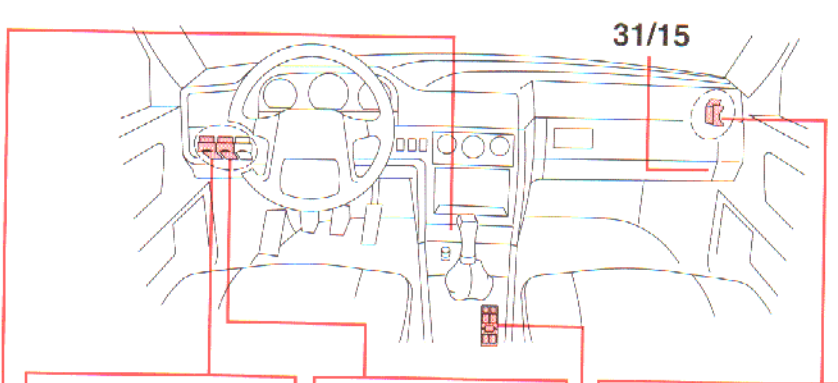
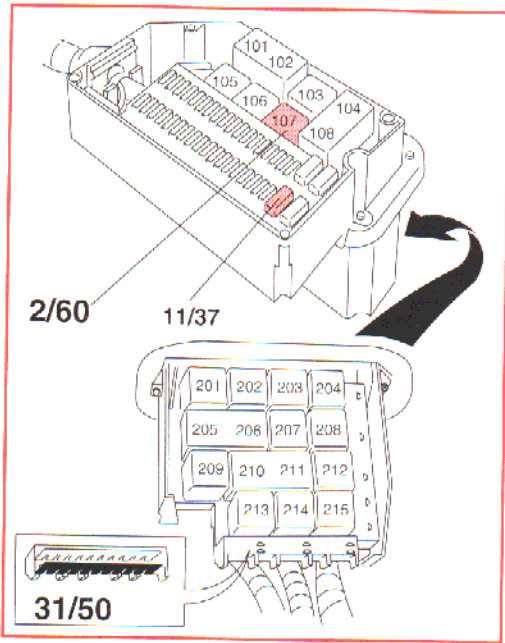


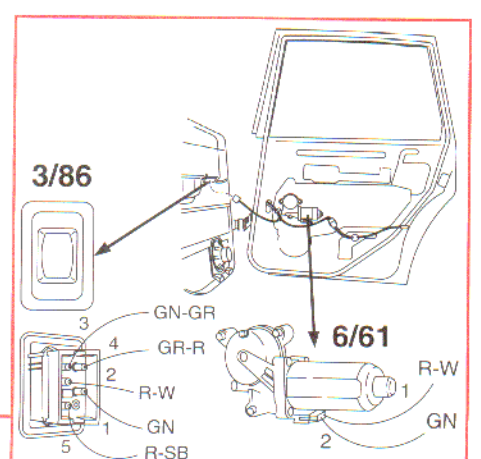
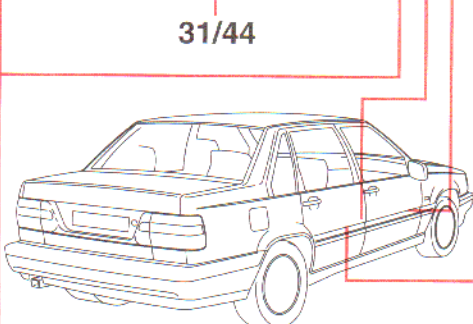
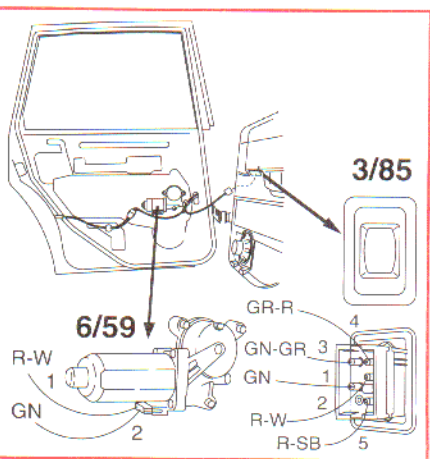
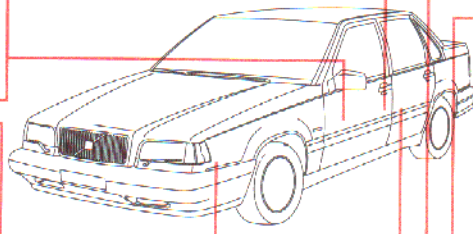
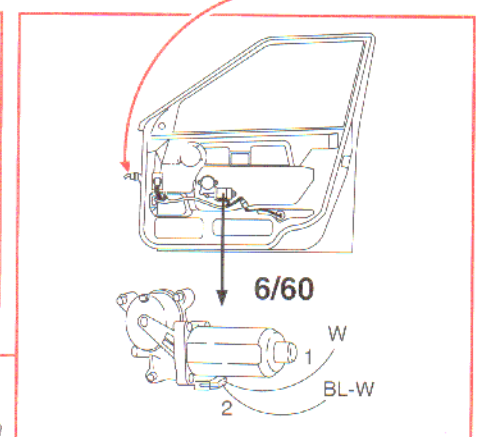
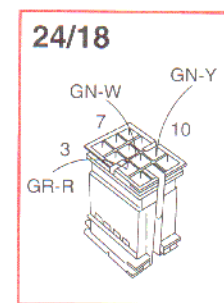
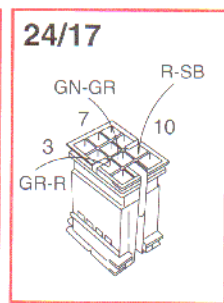
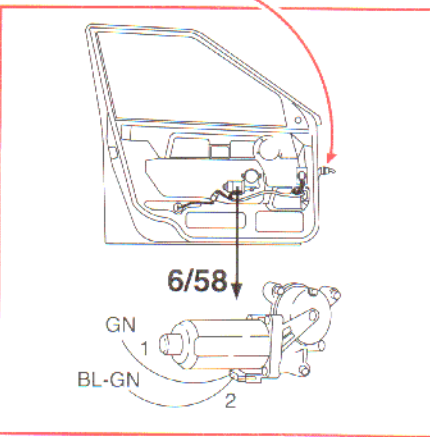
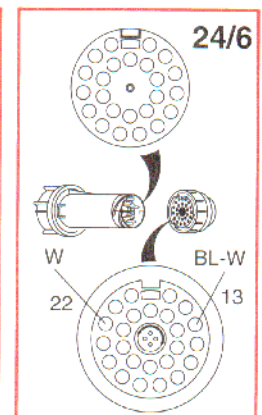
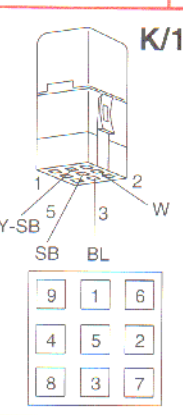
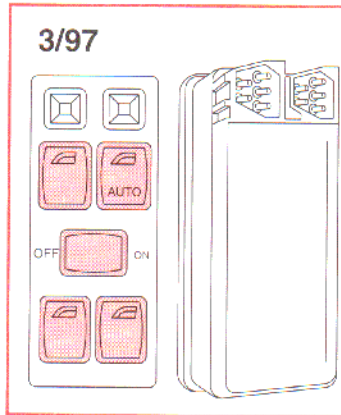
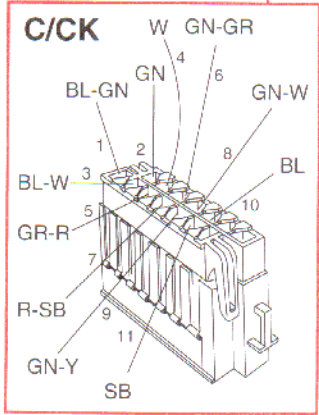
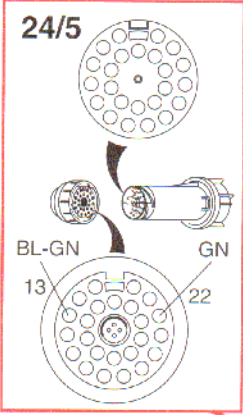
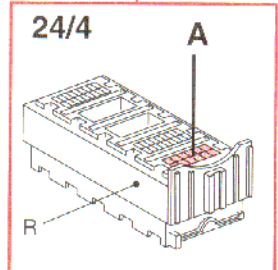
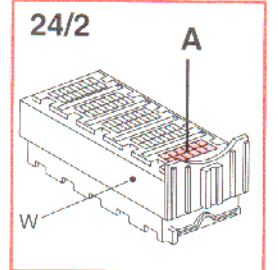
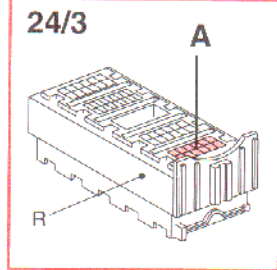
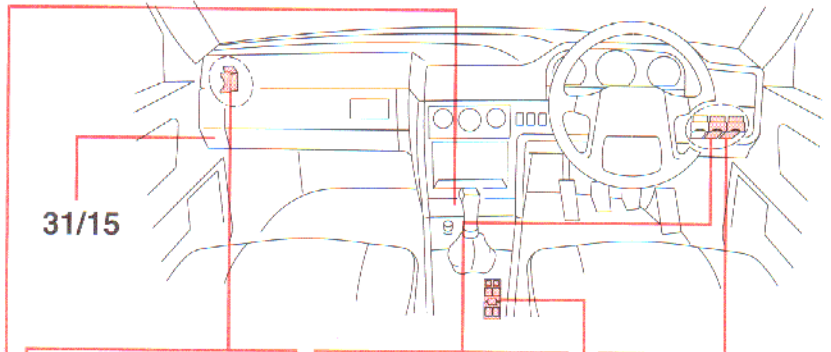
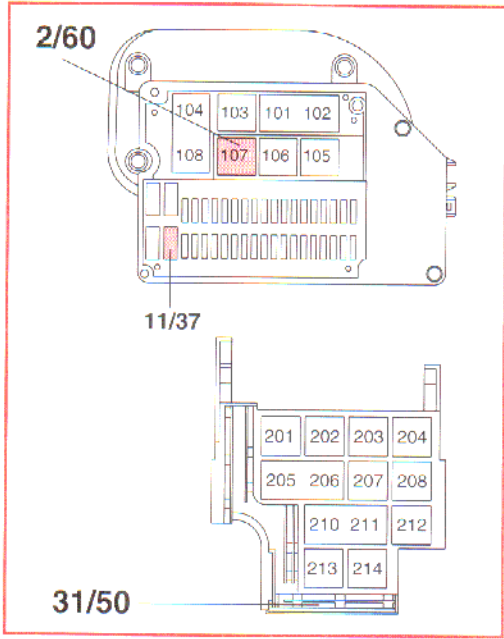


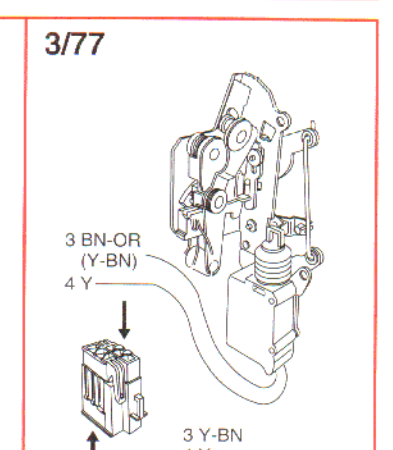
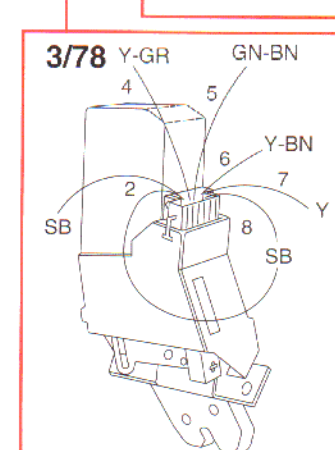
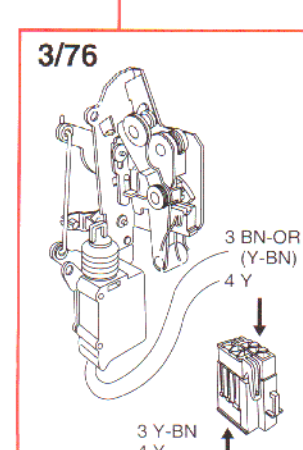
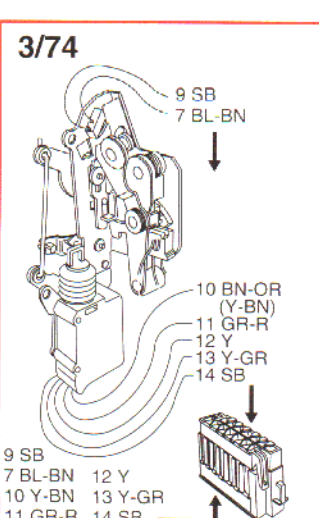
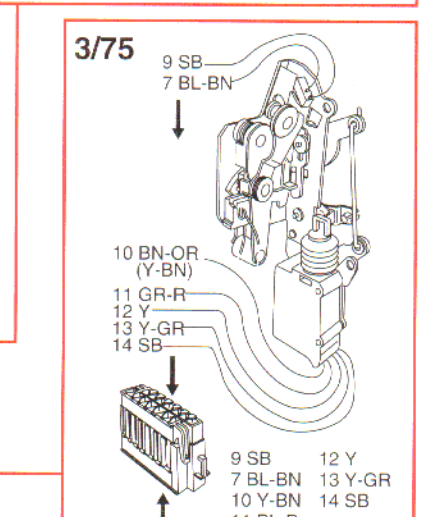
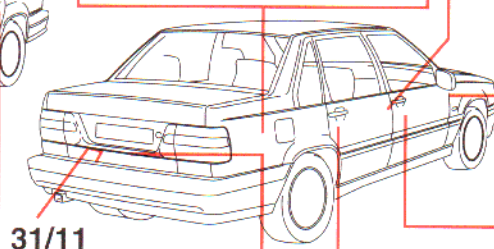
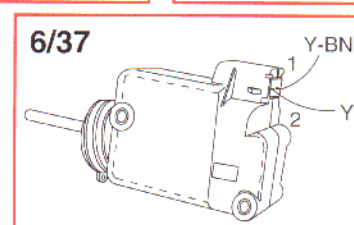
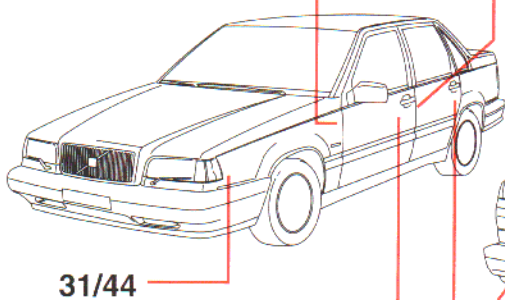
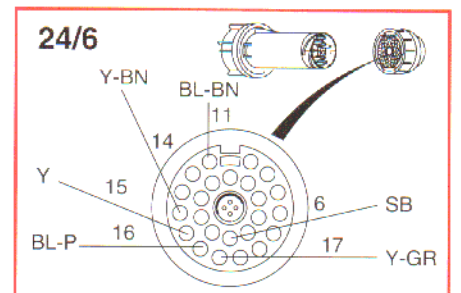
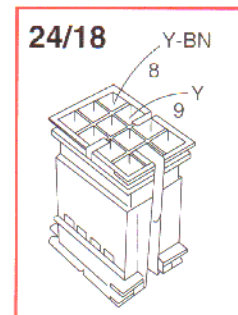
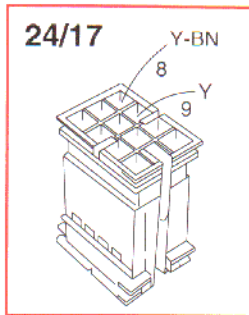
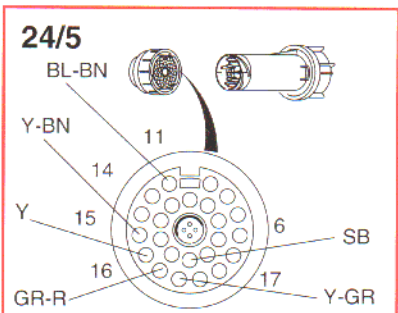
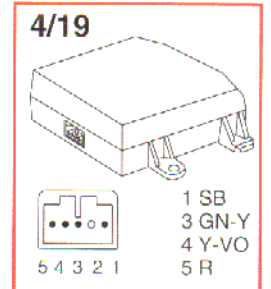
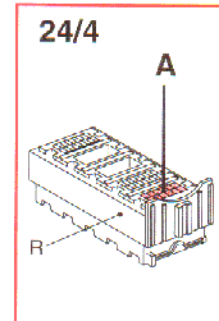
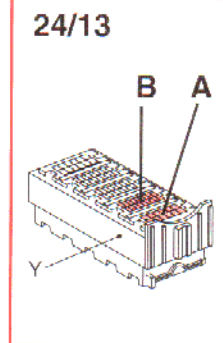
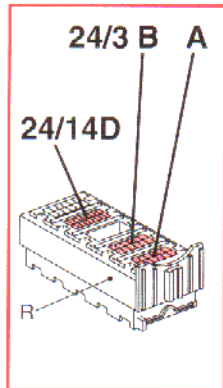
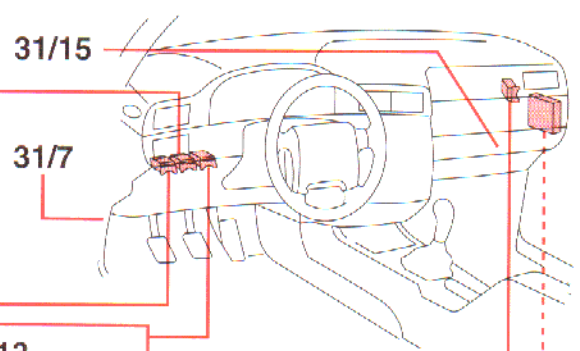
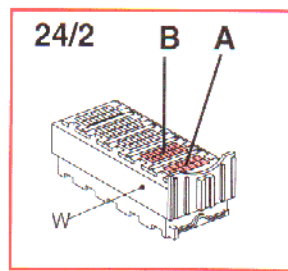
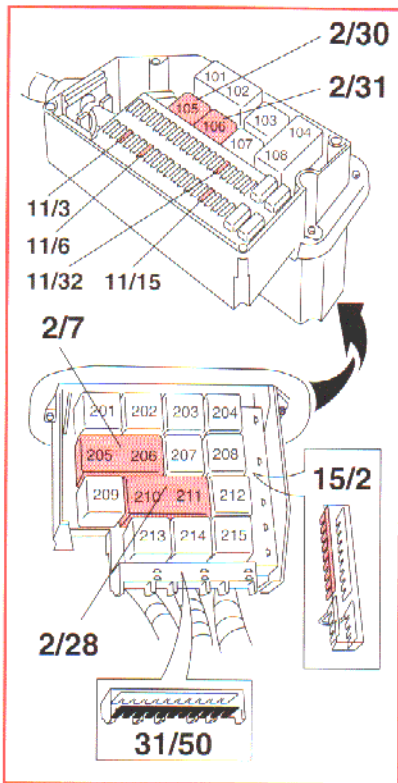


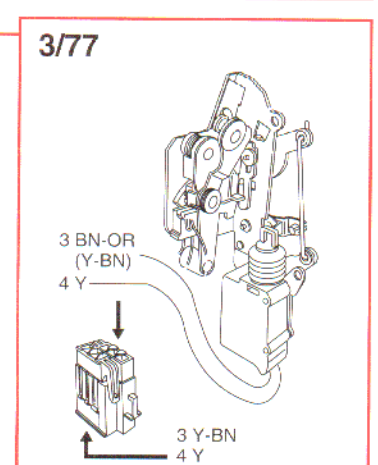
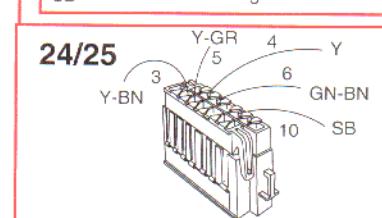
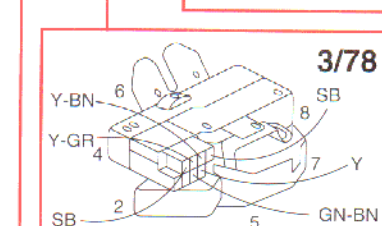
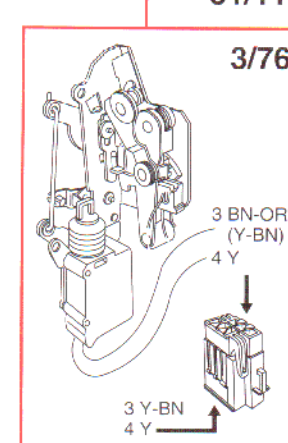
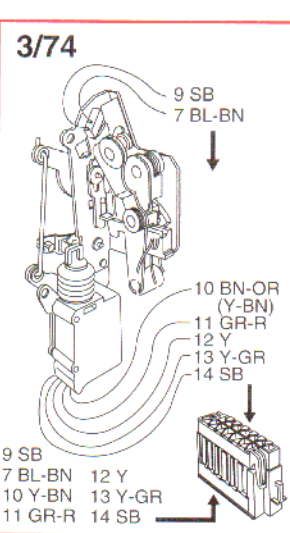
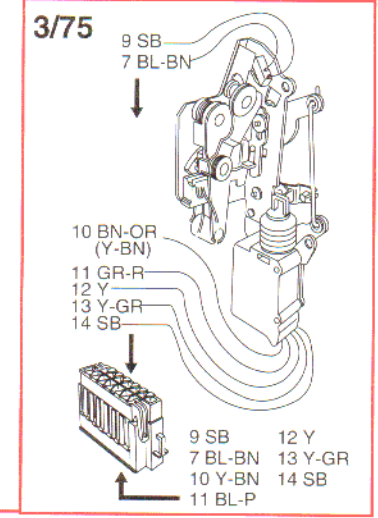
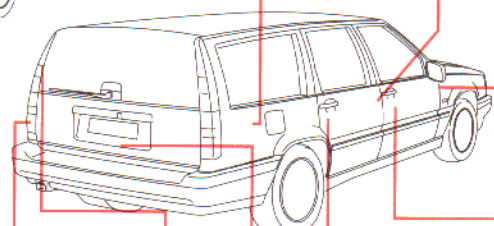
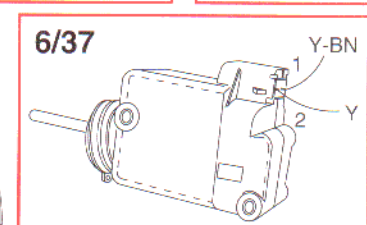
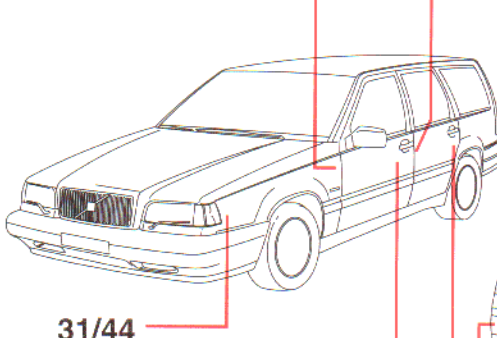
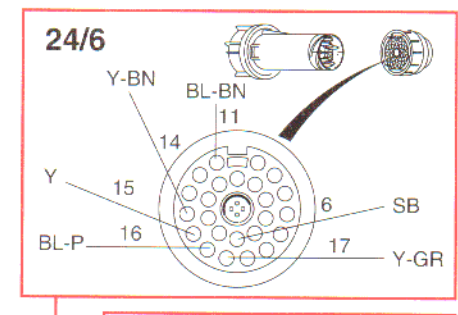
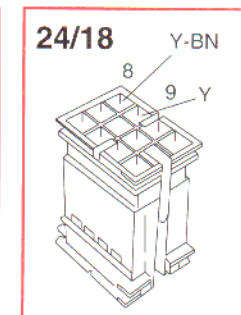
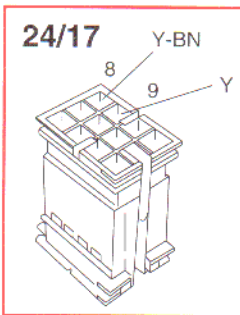
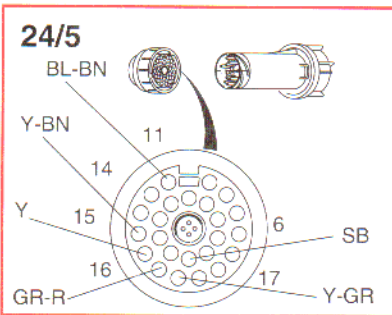
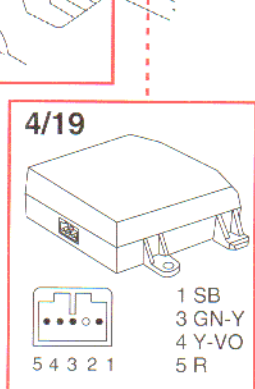
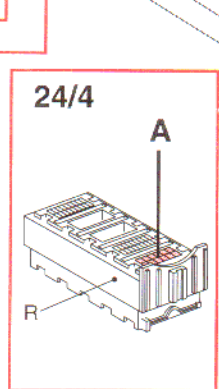
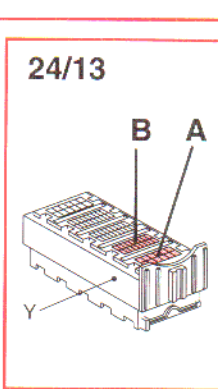
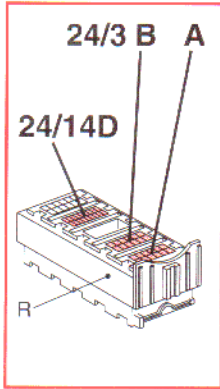
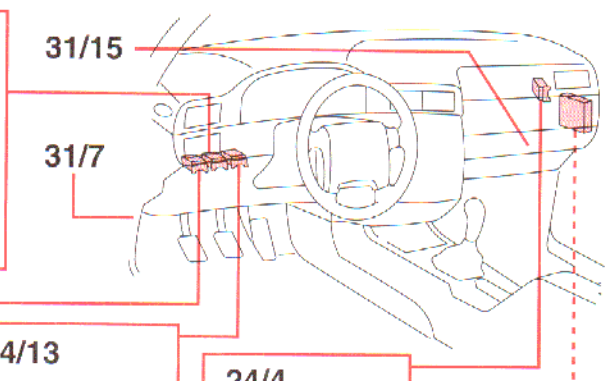
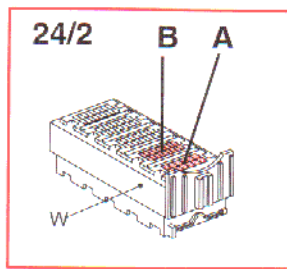
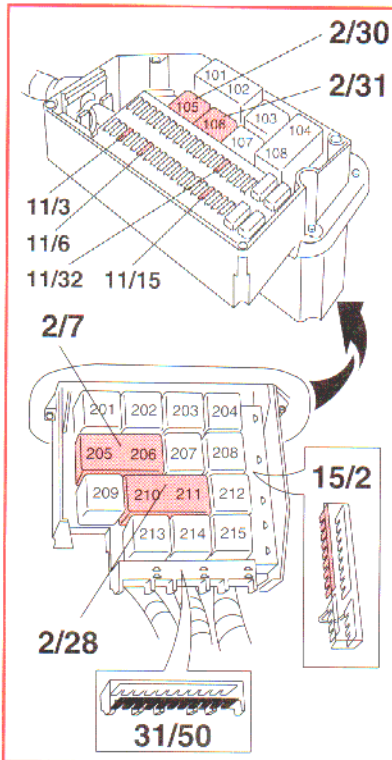


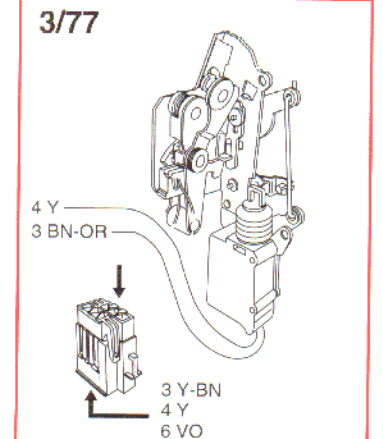
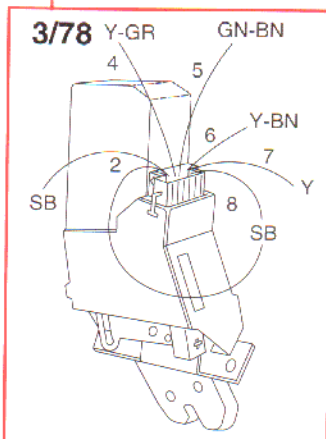
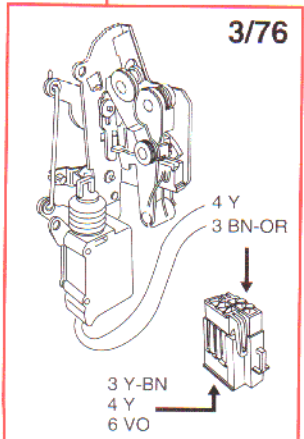
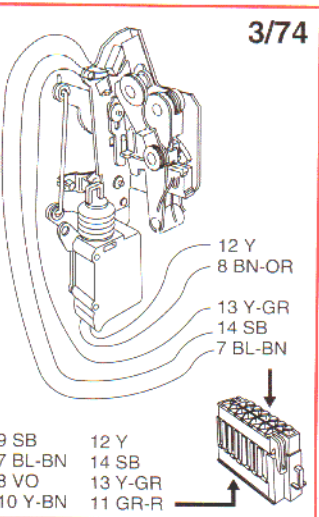
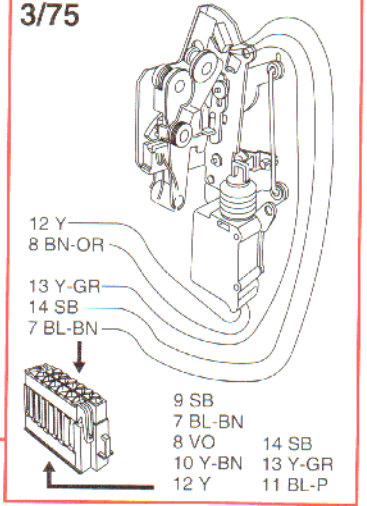
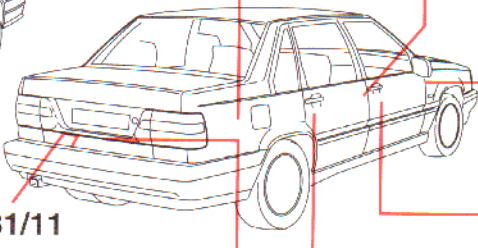
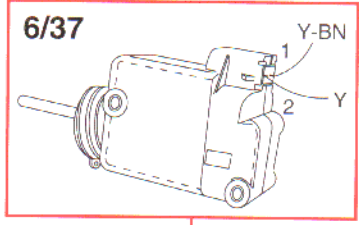
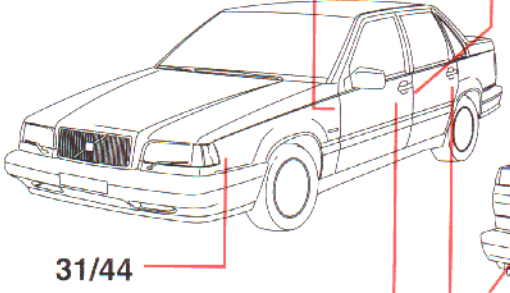
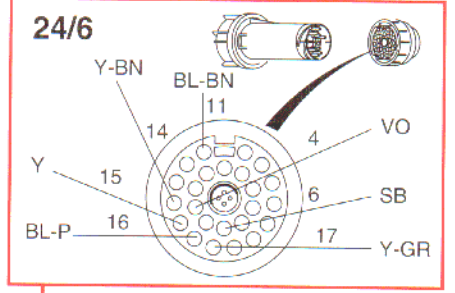
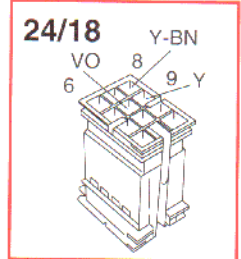
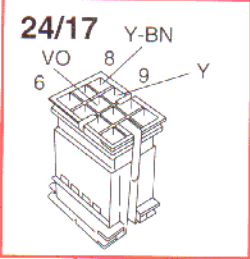
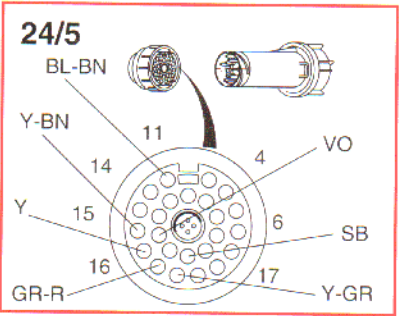
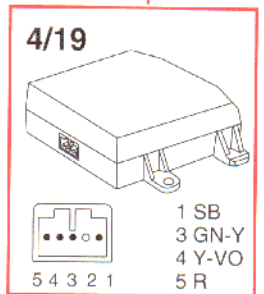
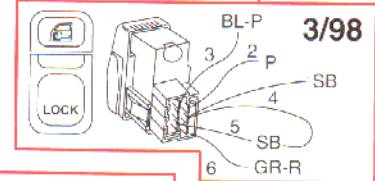
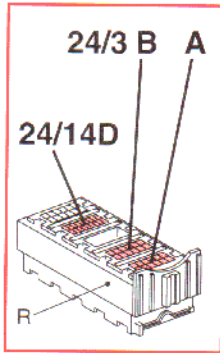
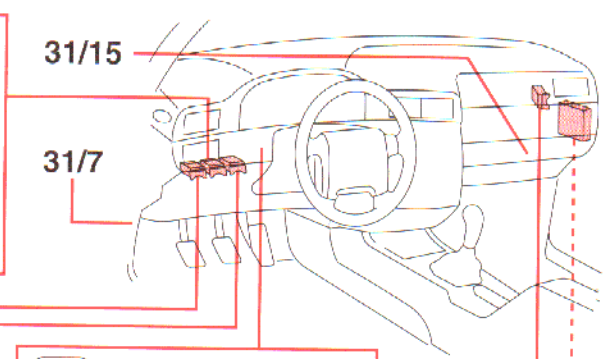
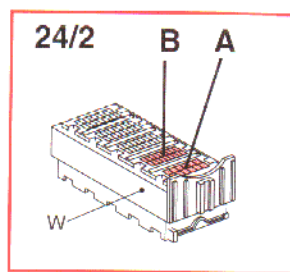
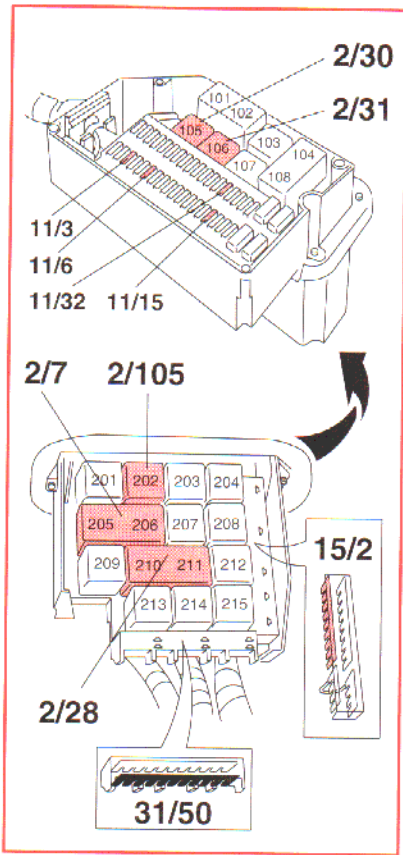
31/44

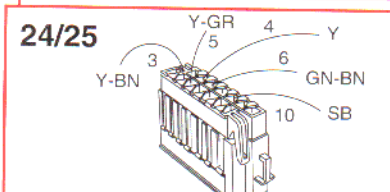
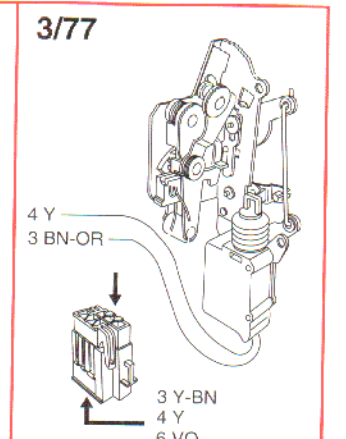
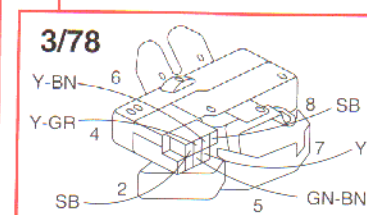
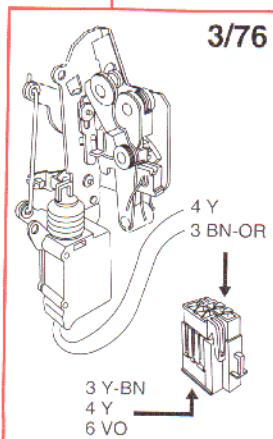
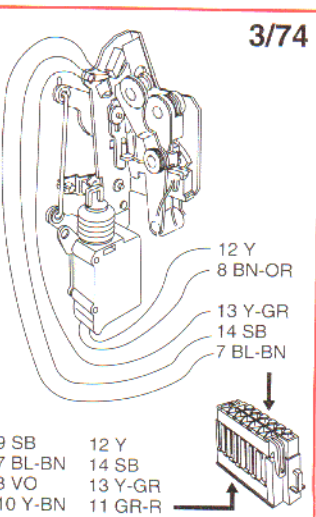
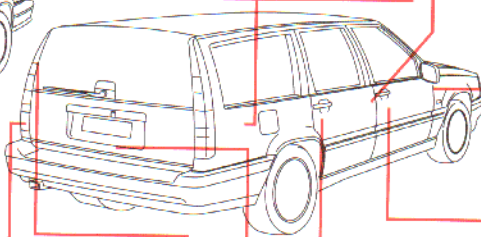
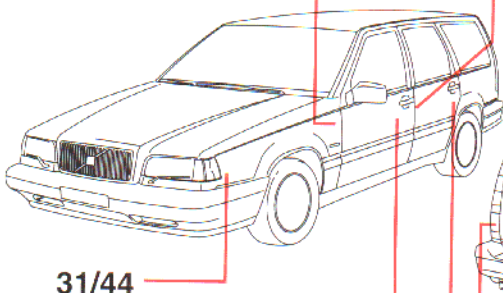
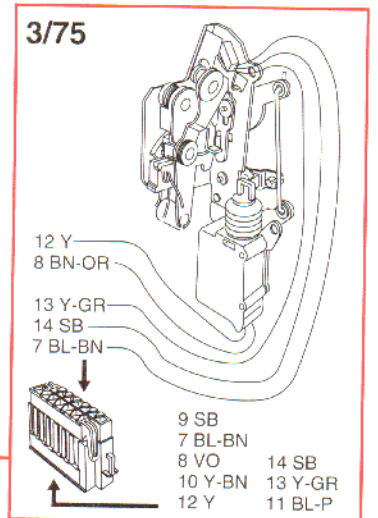
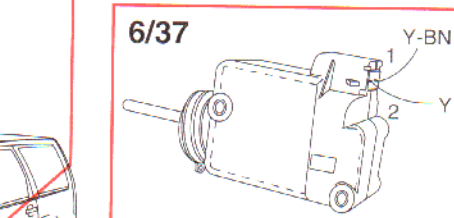
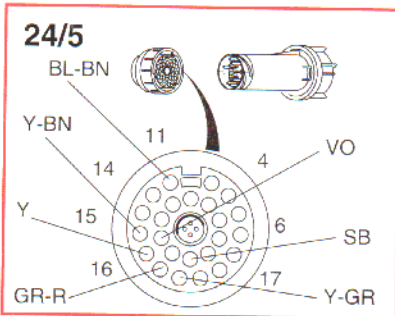
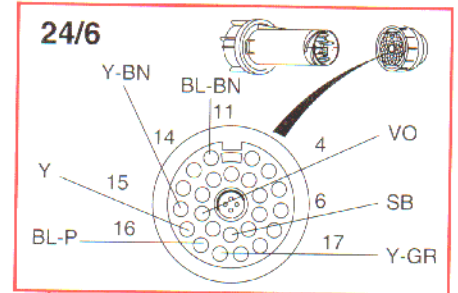
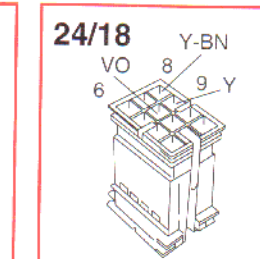
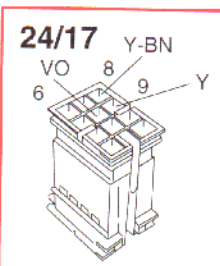
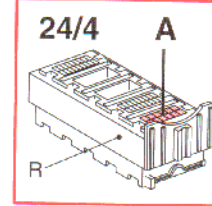
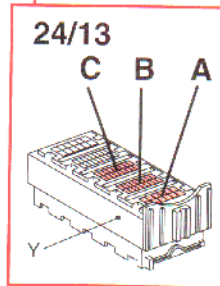
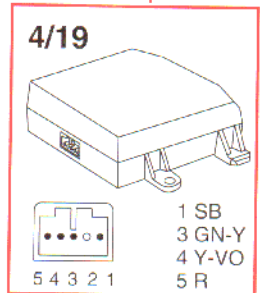
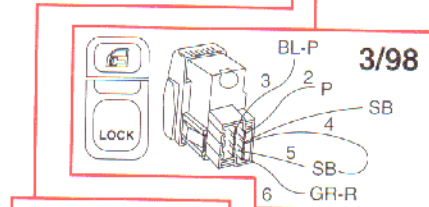
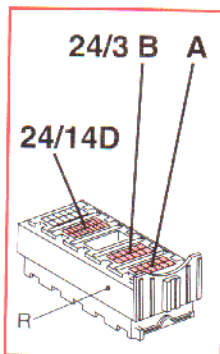
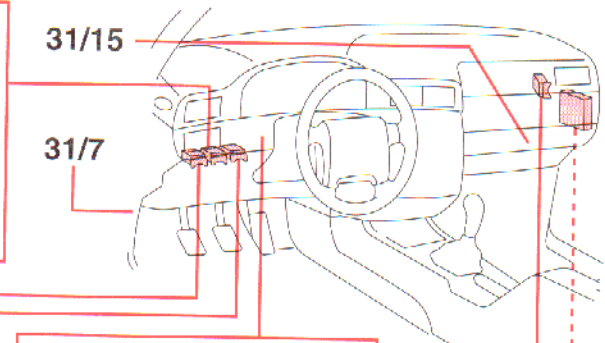
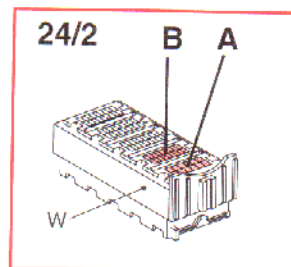
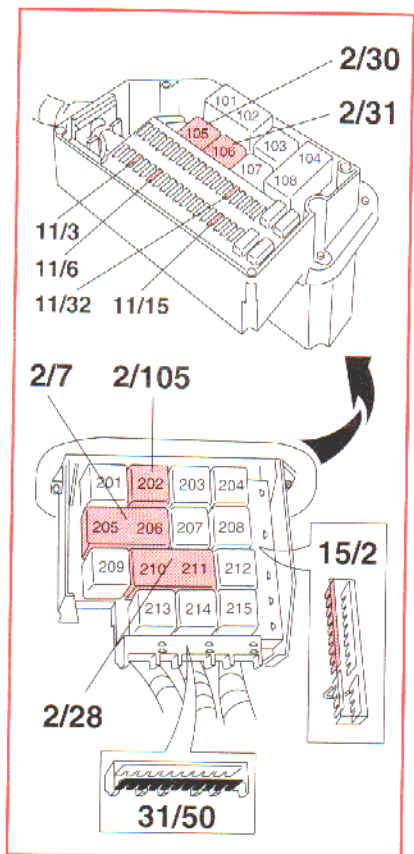


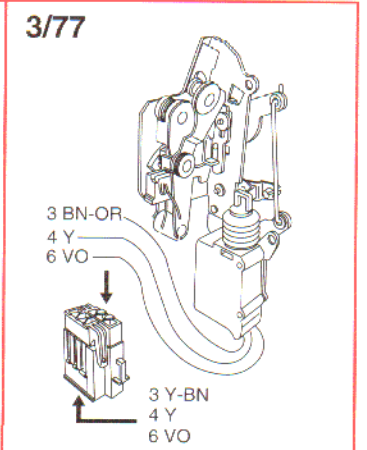
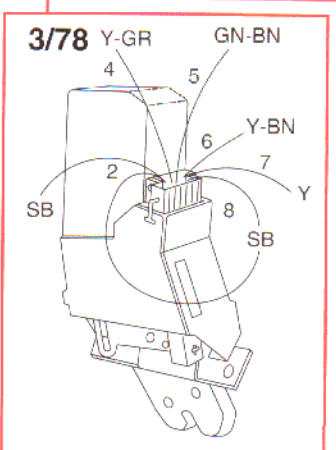
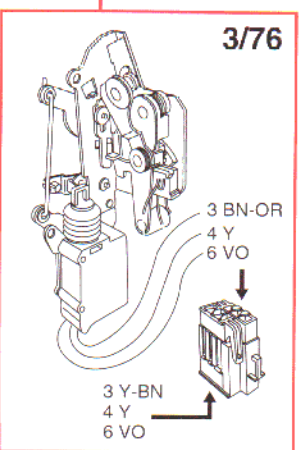
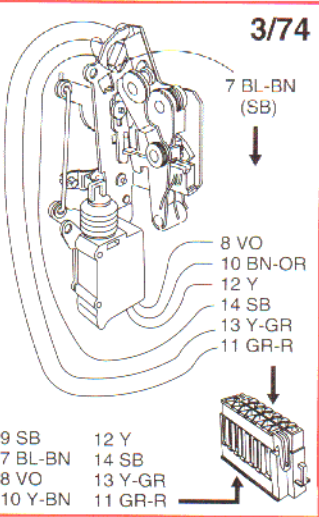
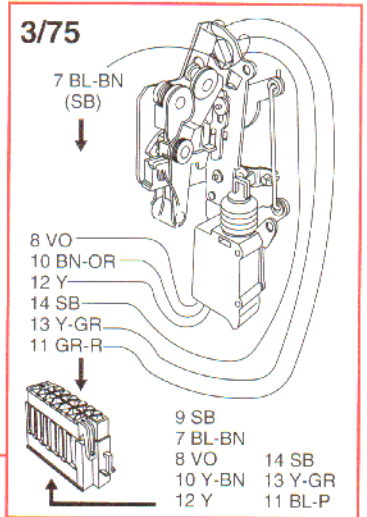
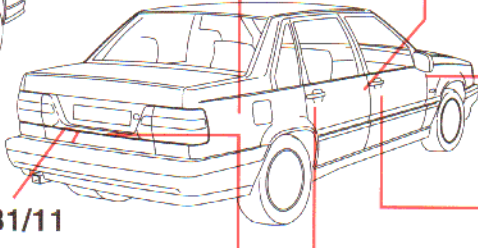
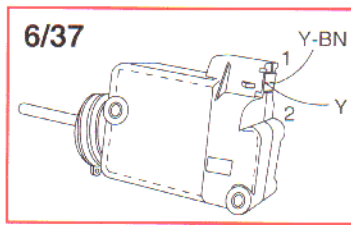
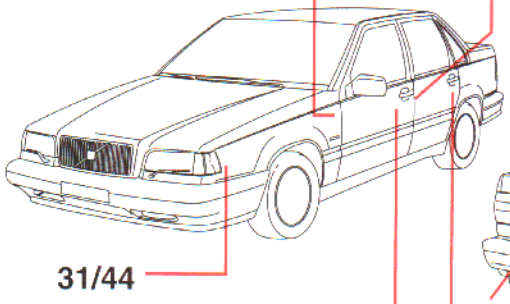
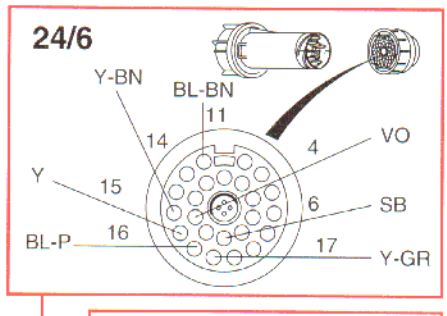
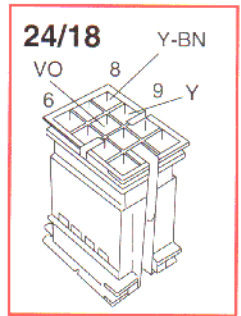
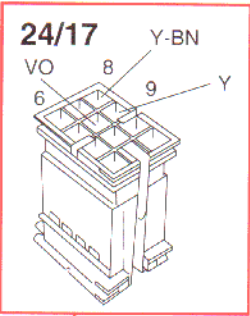
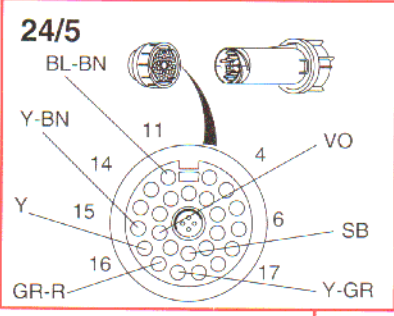
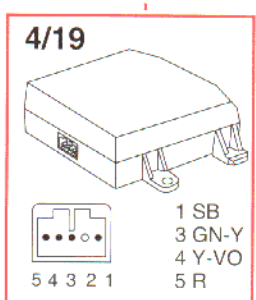
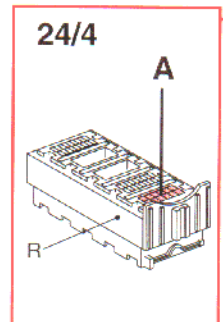
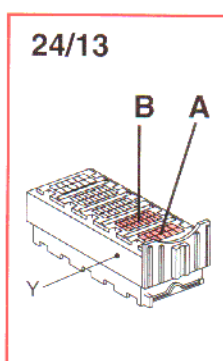
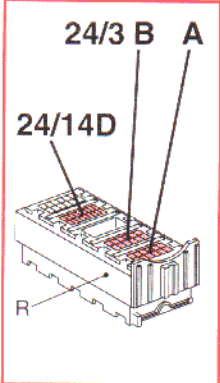
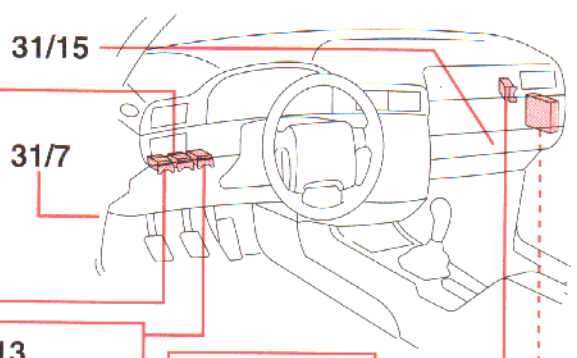
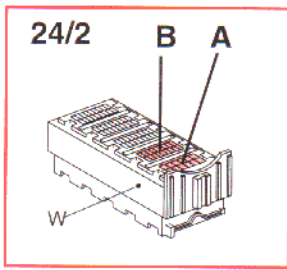
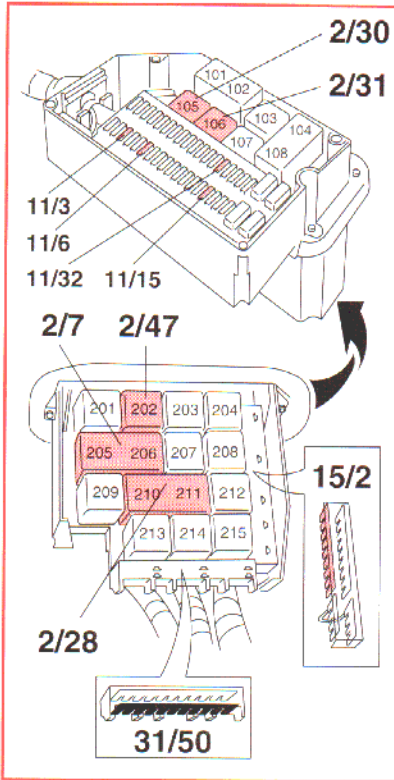


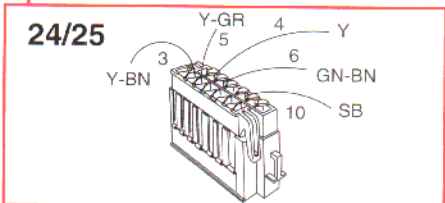
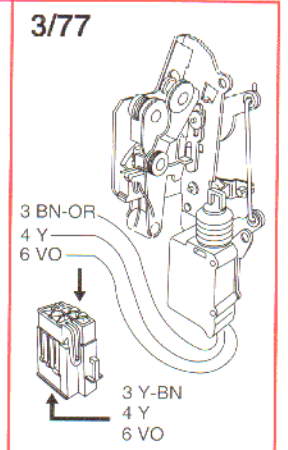
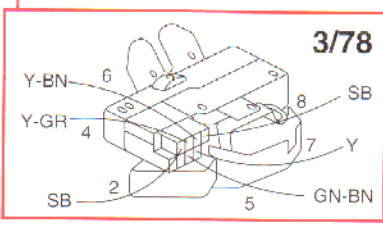
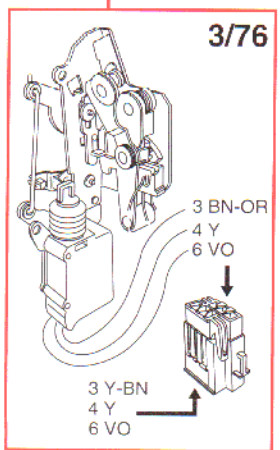
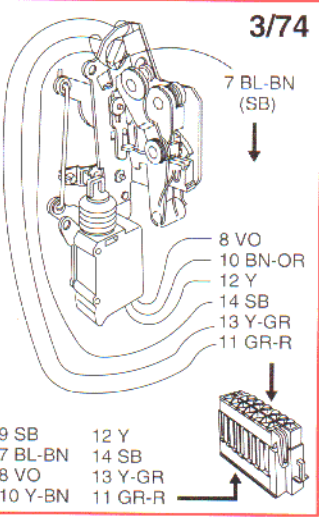
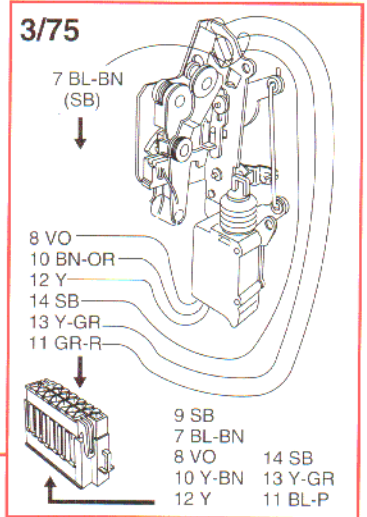
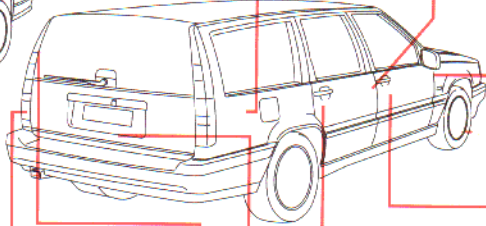
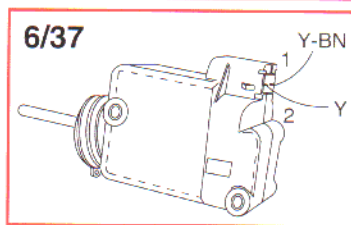
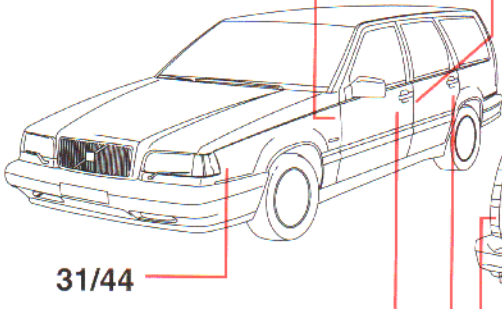
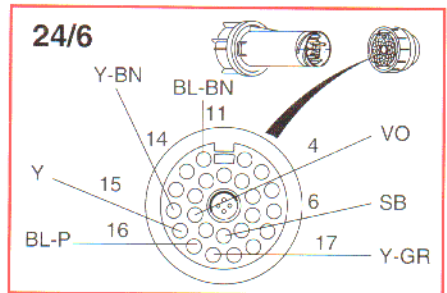
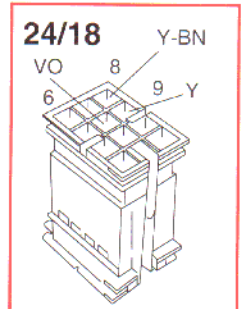
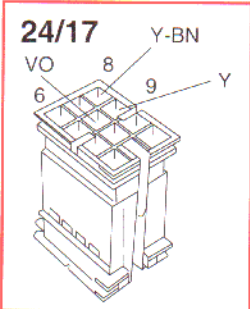
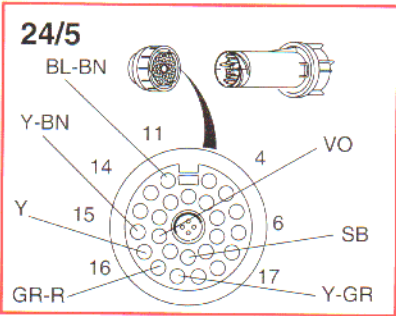
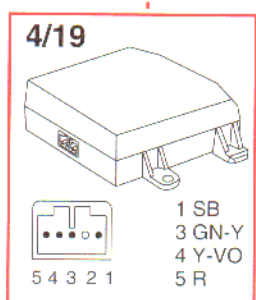
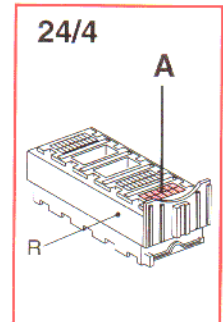
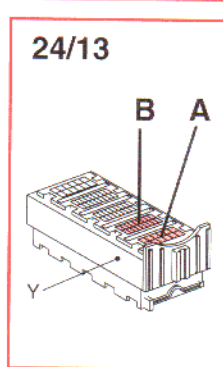
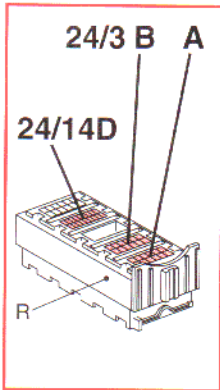
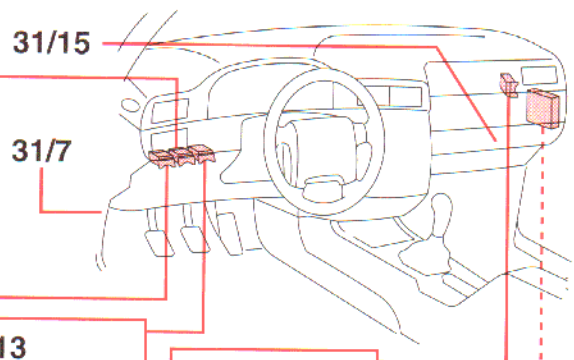
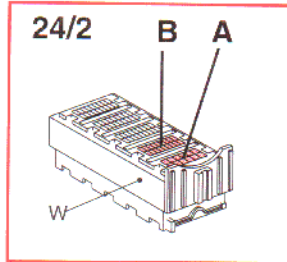
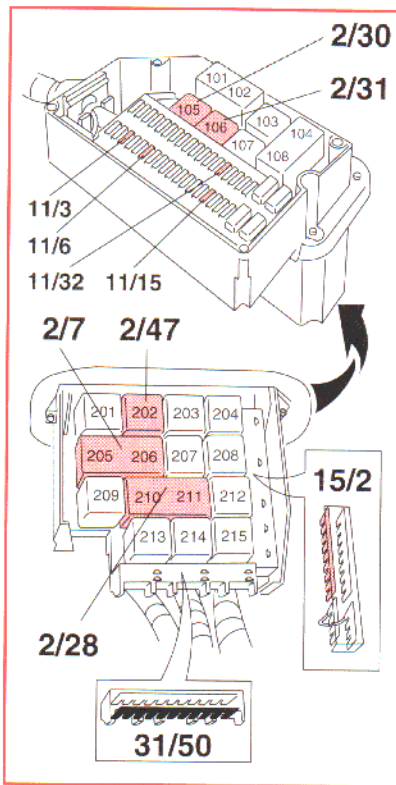




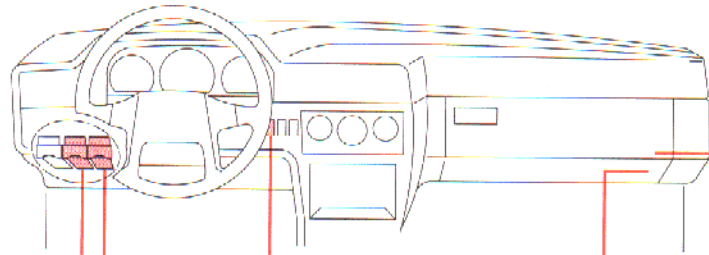
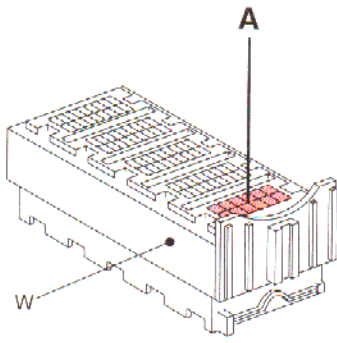






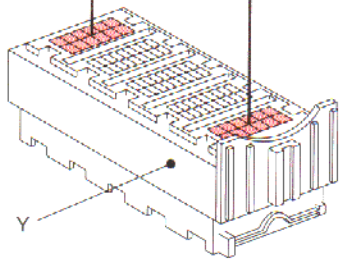


24/2

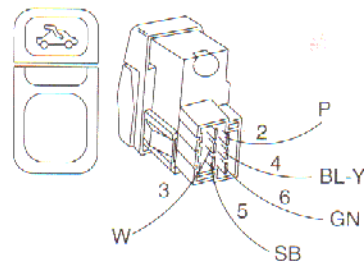


31/15

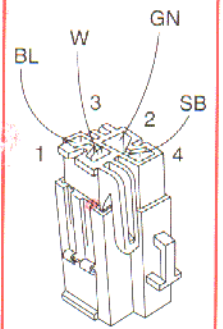
24/1 E 24/13 A



3/25

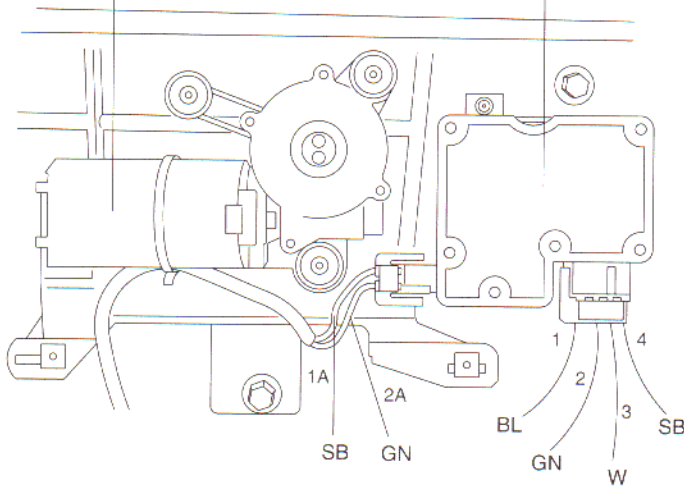


24/20



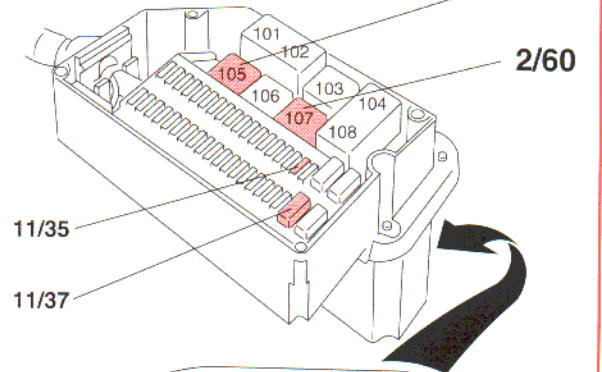
6/15

4/33



2/30

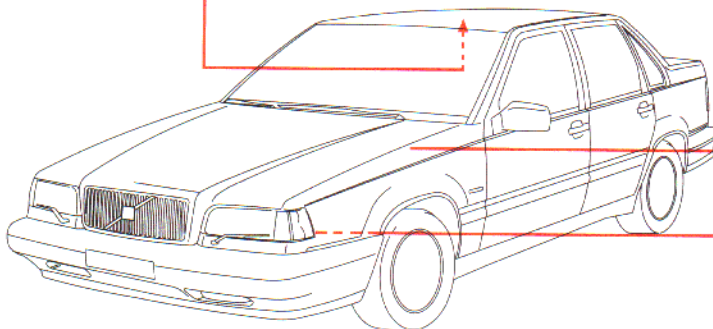
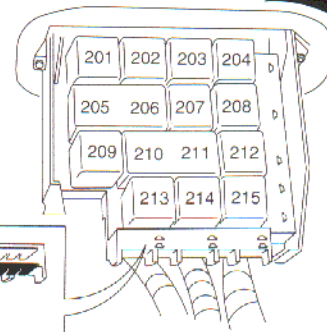
2/60



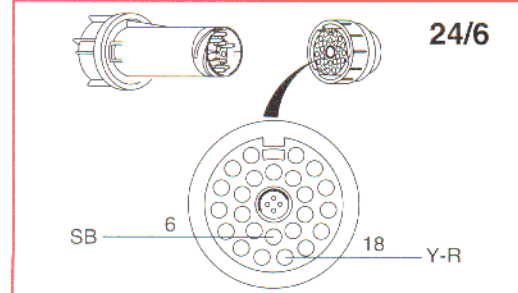
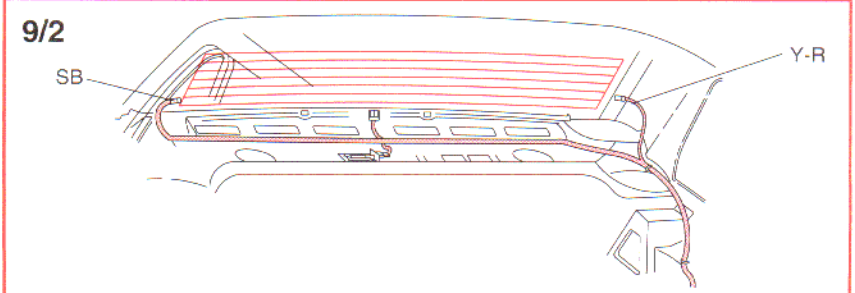
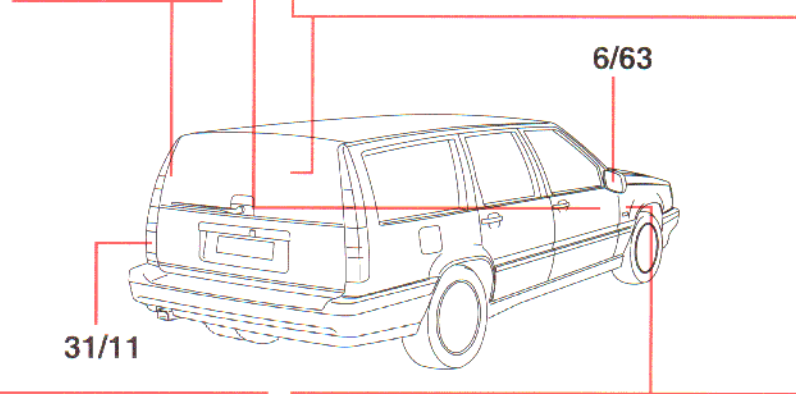
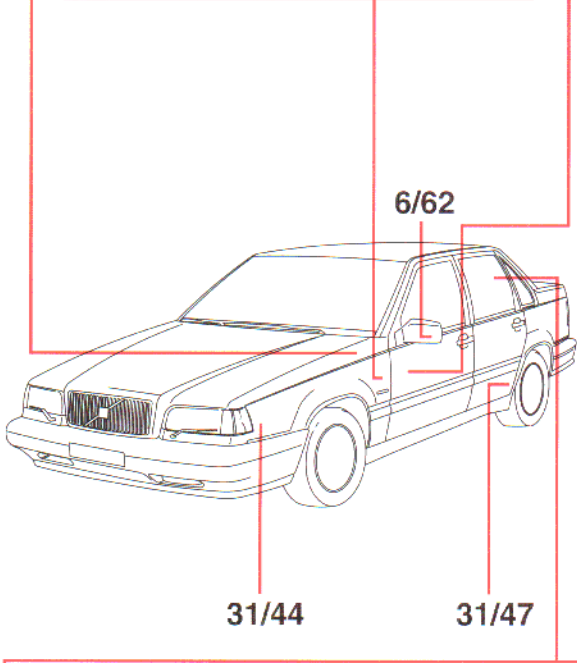
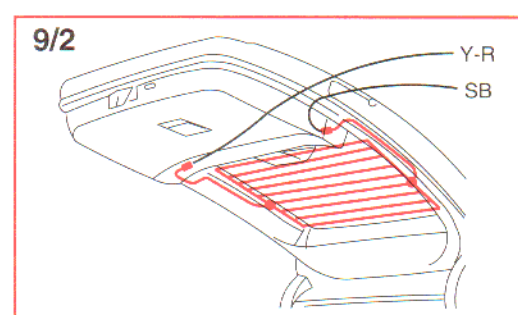
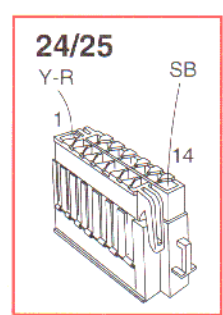
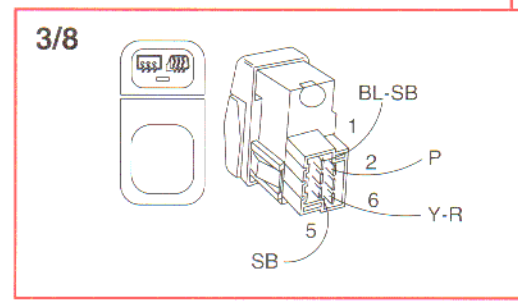
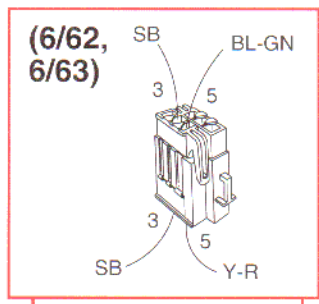
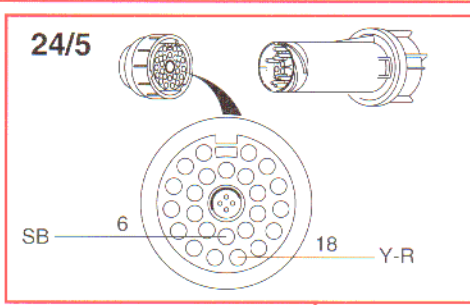
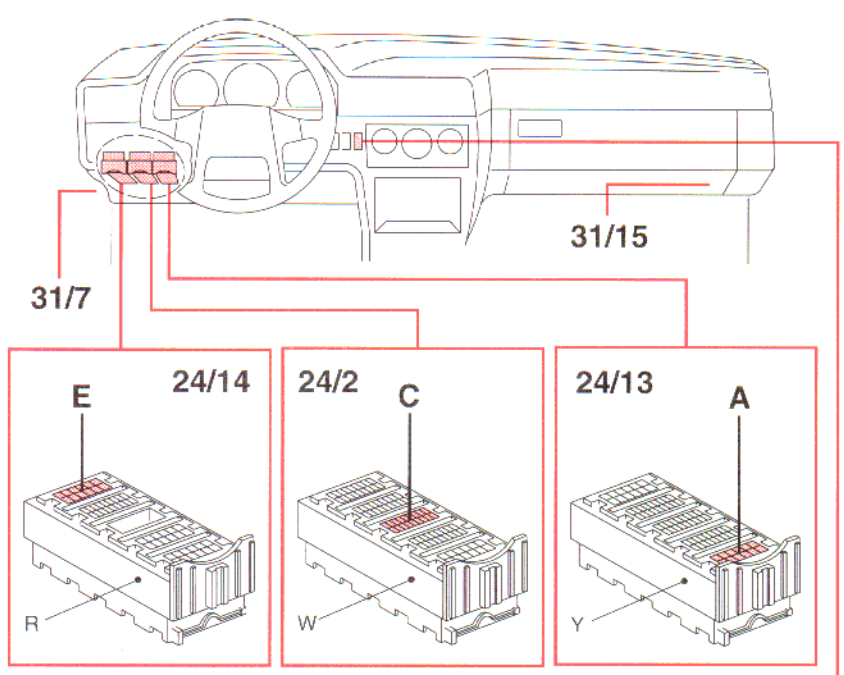
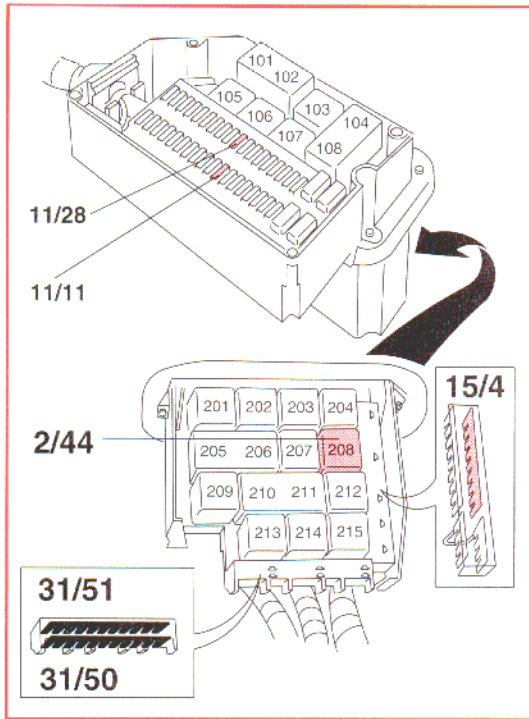
11/35

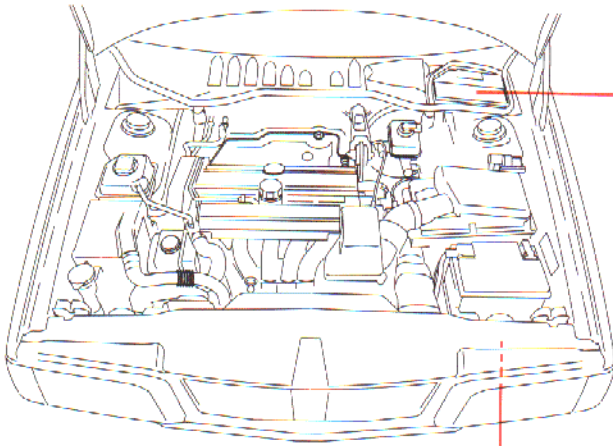
11/37

31/50

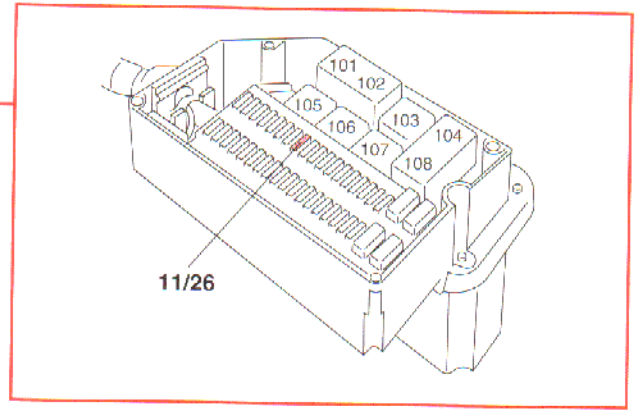


31/44

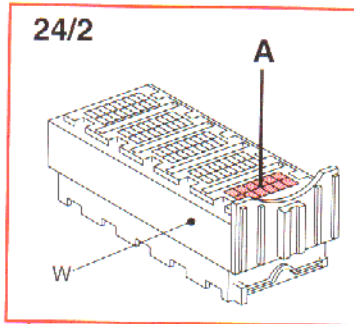




31/44

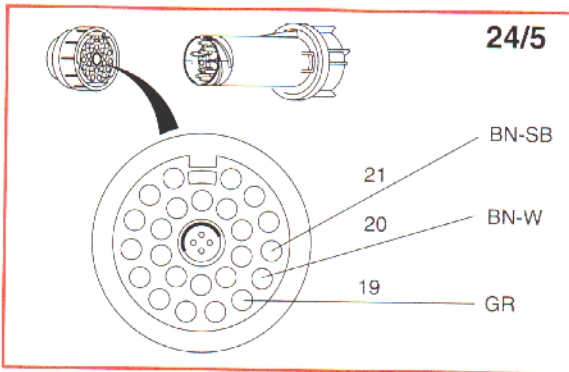


11/26



24/2

31/15

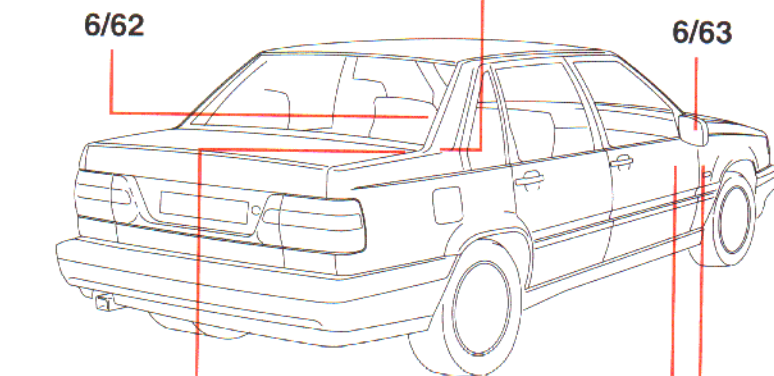
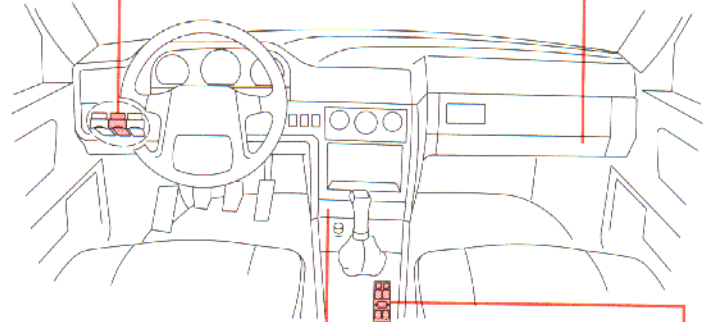


24/5

BN-SB

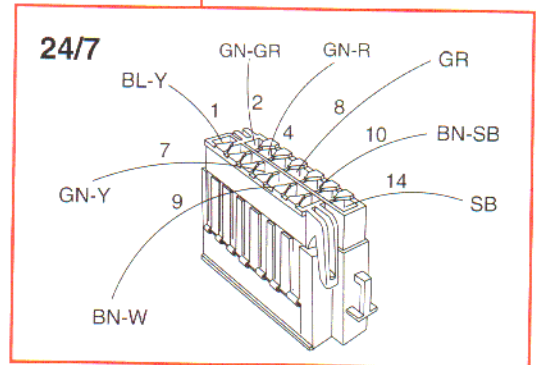
BN-W

GR



6/62

6/63



24/7

GN-GR

GN-R

GR

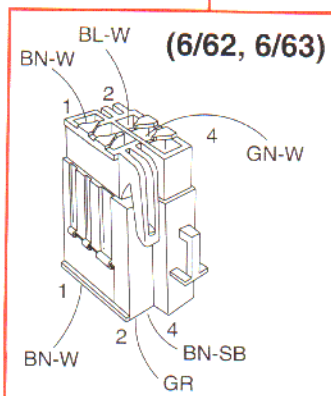
BL-Y

GN-Y

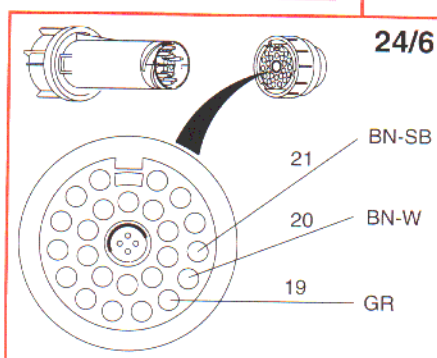
BN-W

BN-SB

SB



(6/62, 6/63)

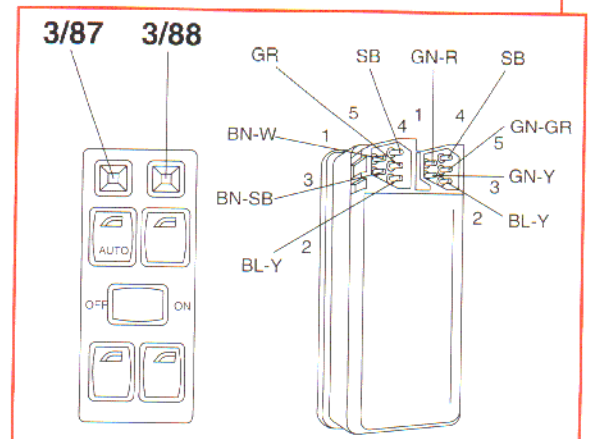


24/6

BN-SB

BN-W

GR



3/87

3/88

GR

SB

GN-R

SB

BN-W

BN-SB

BL-Y

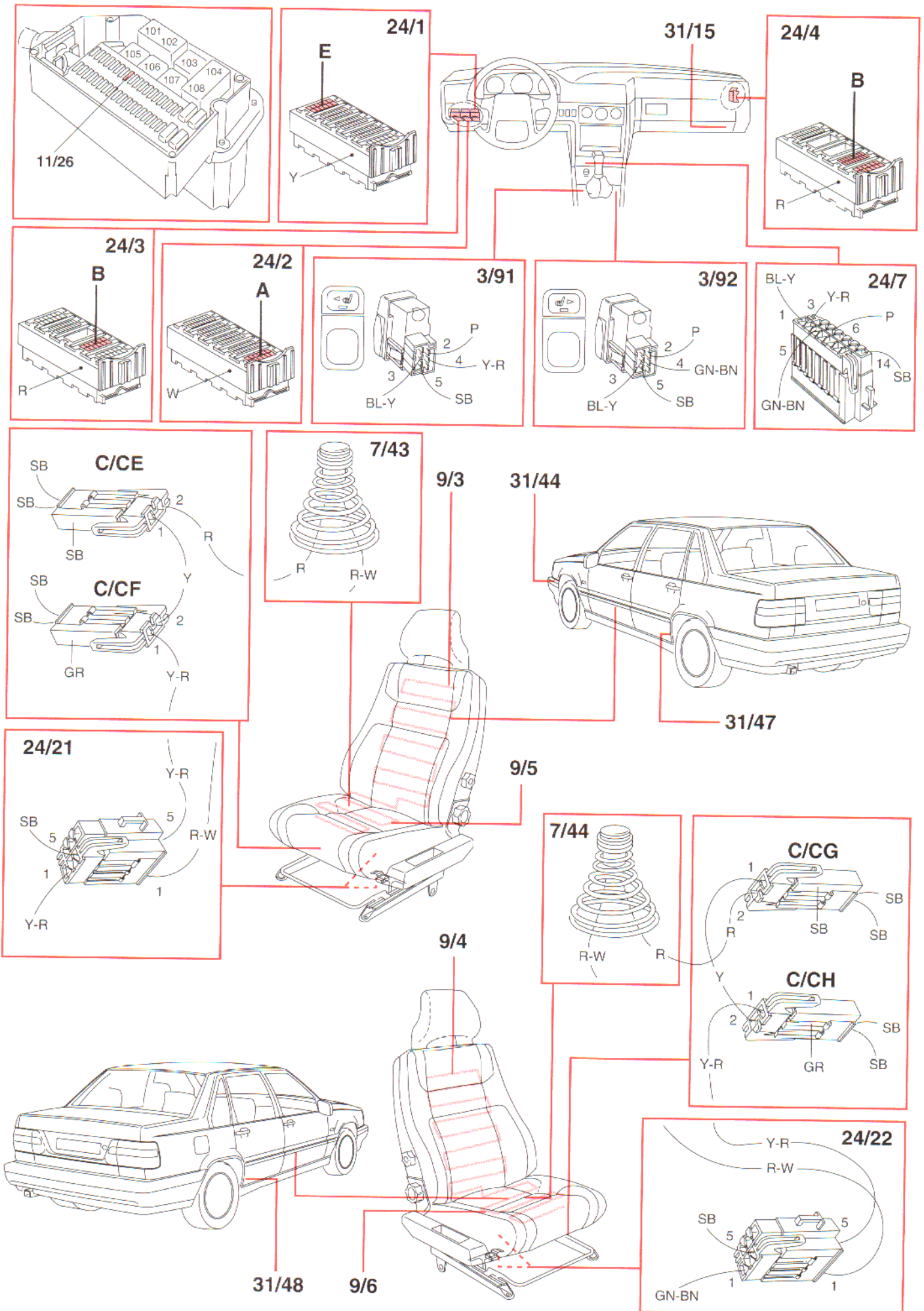
GN-GR

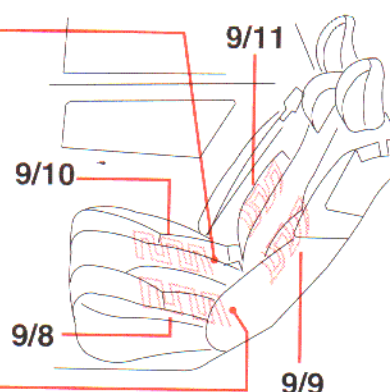
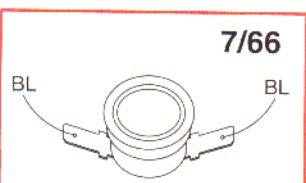
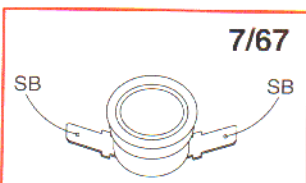
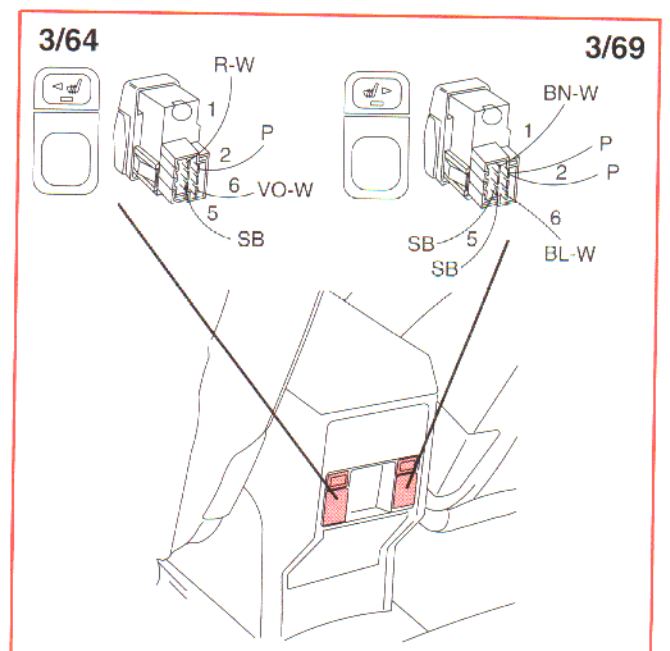
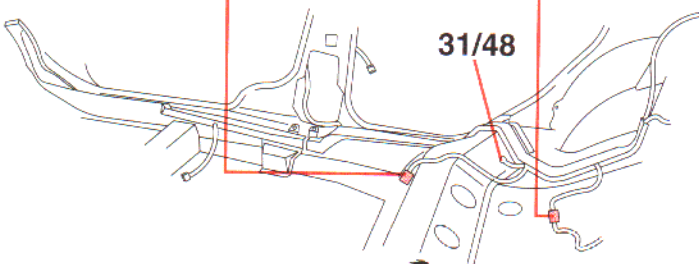
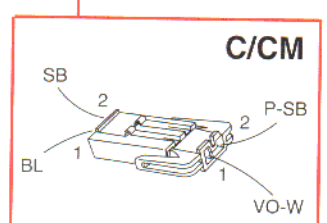
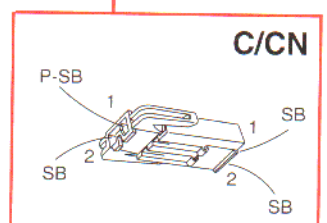
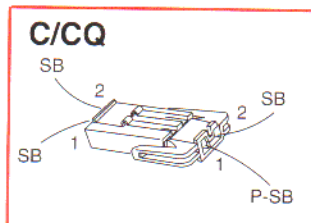
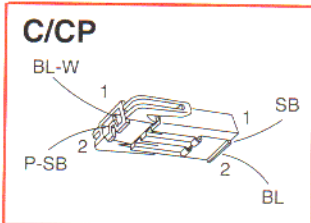
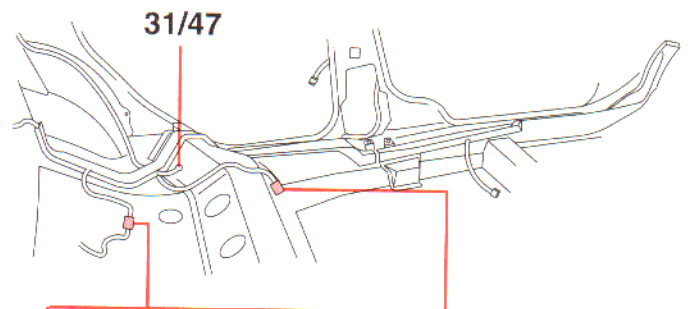
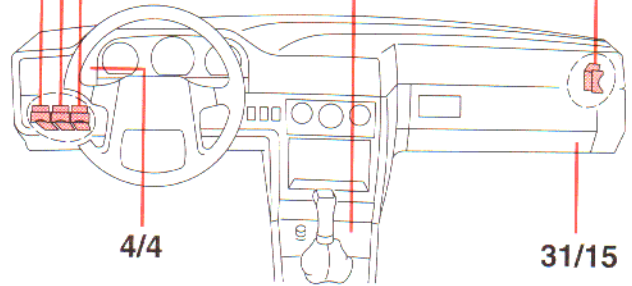
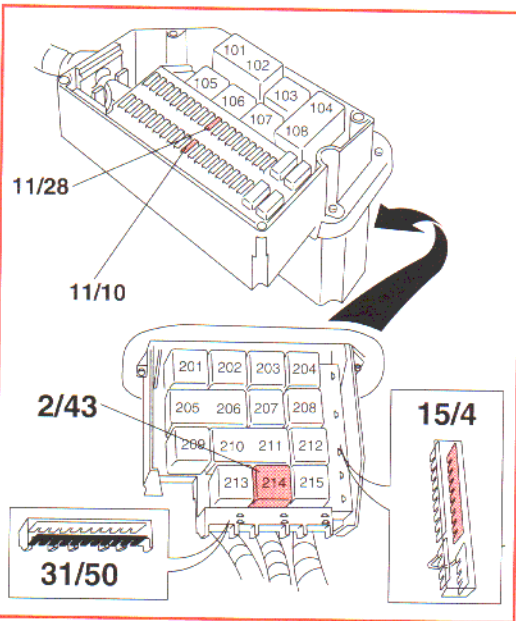
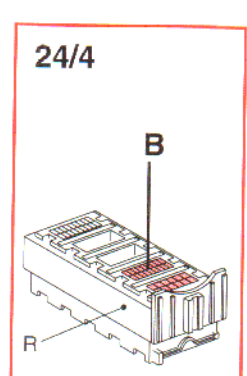
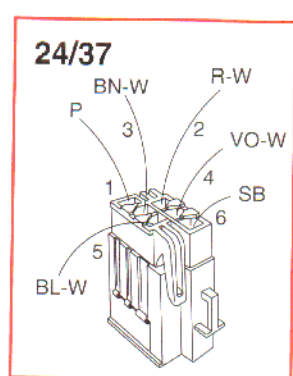
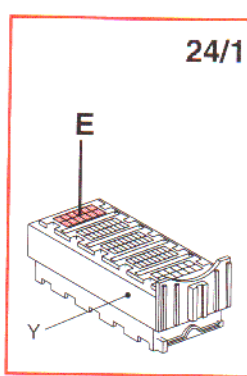
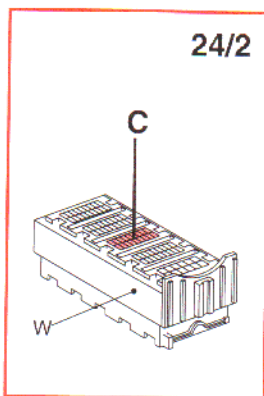
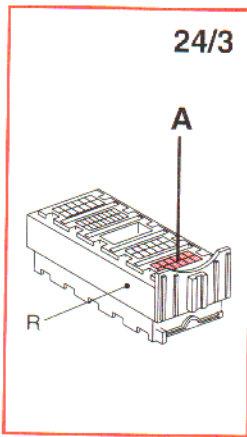
GN-Y

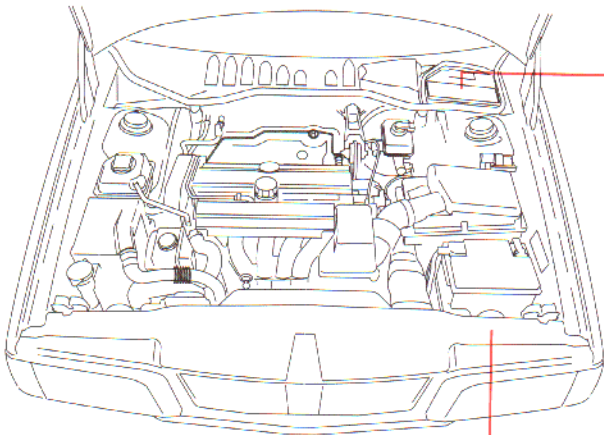
GN-GR

GN-Y

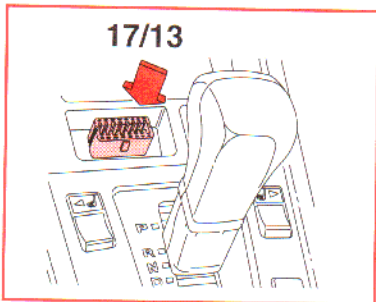
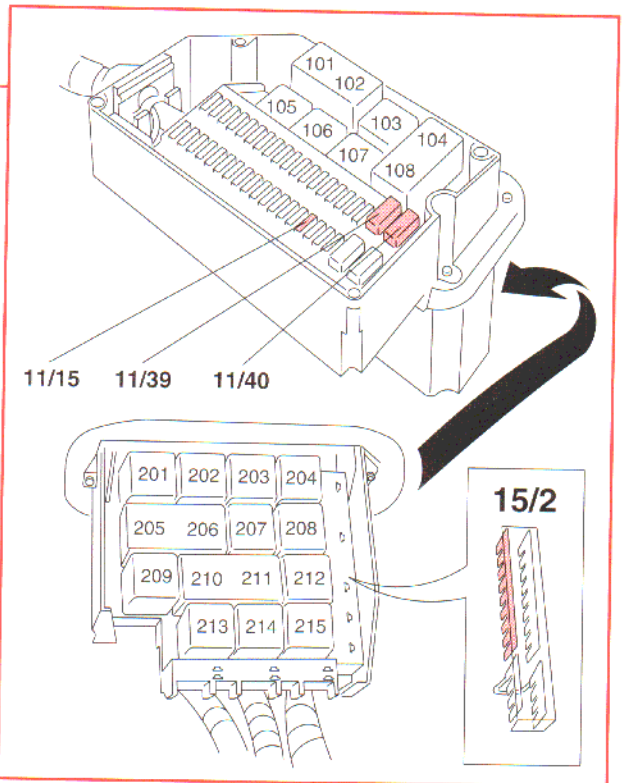
BL-Y



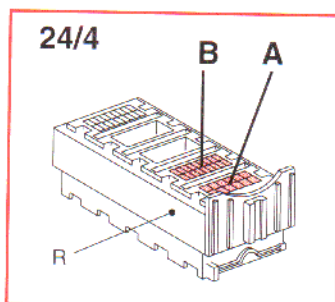




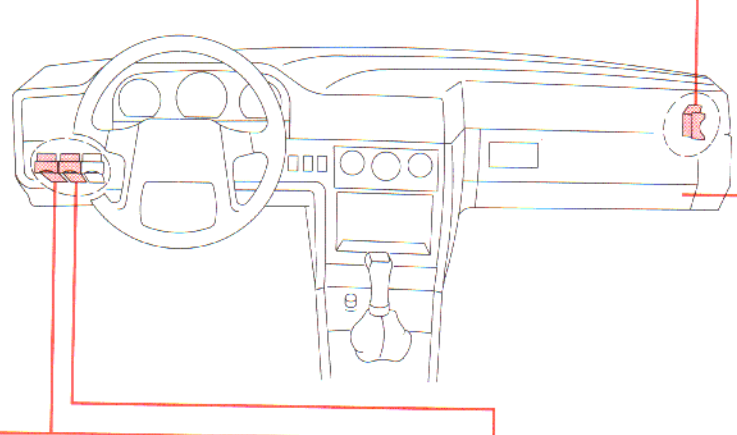
31/44



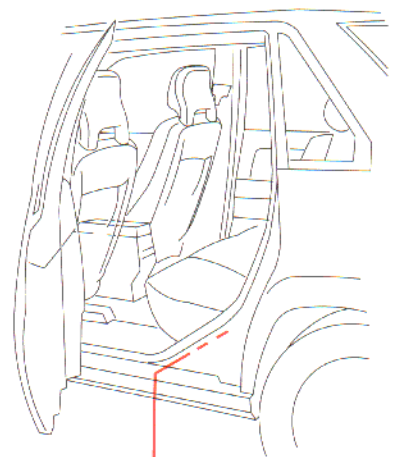
17/13



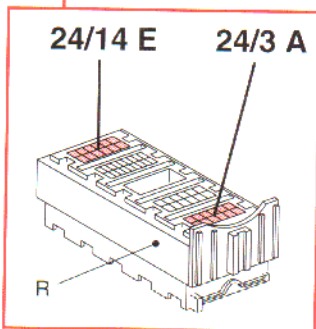
24/4



31/15



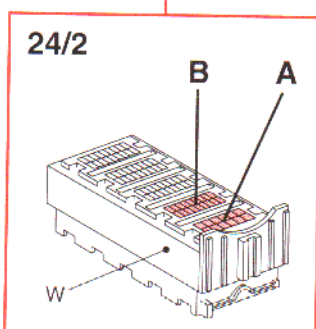
31/47



24/14 E

24/3 A

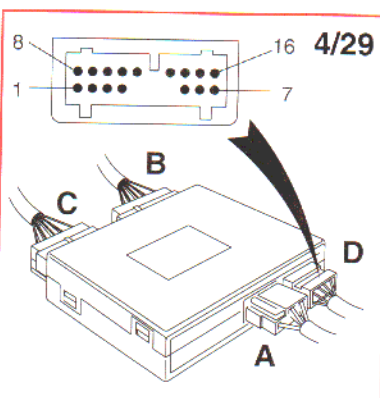
R



24/2

B A

W



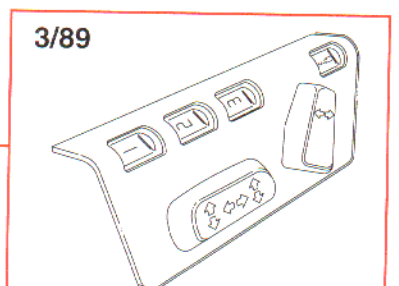
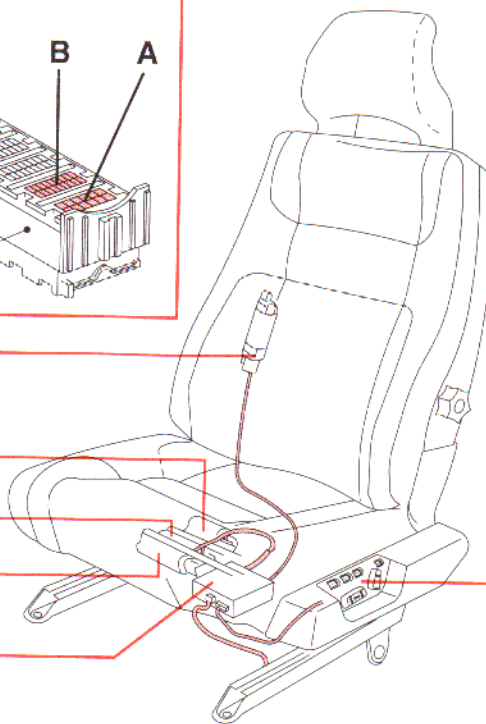
4/29

6/50

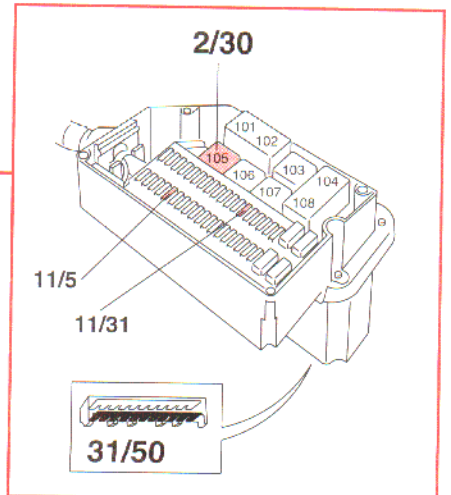
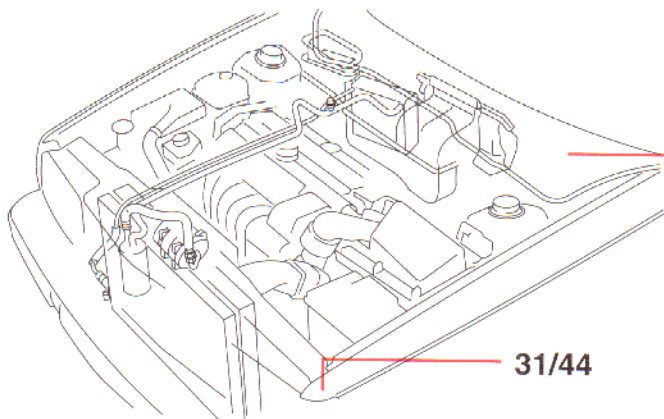
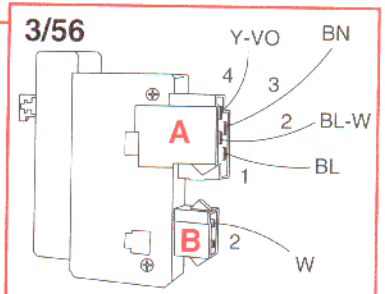
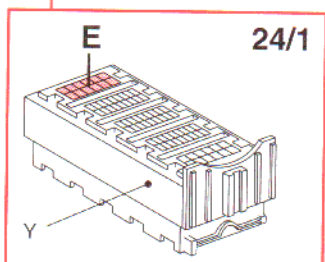
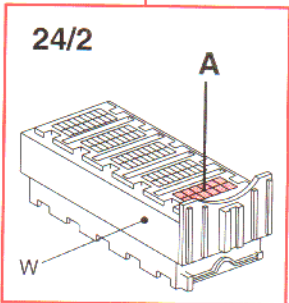
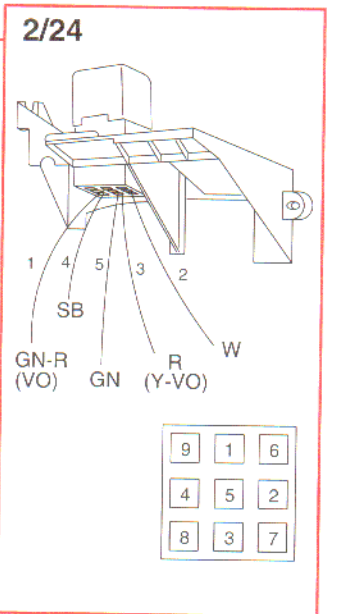
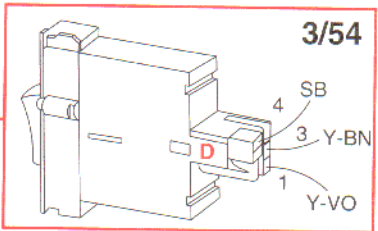
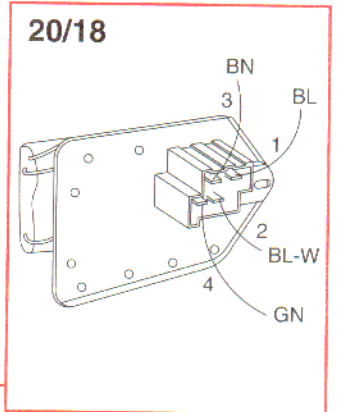
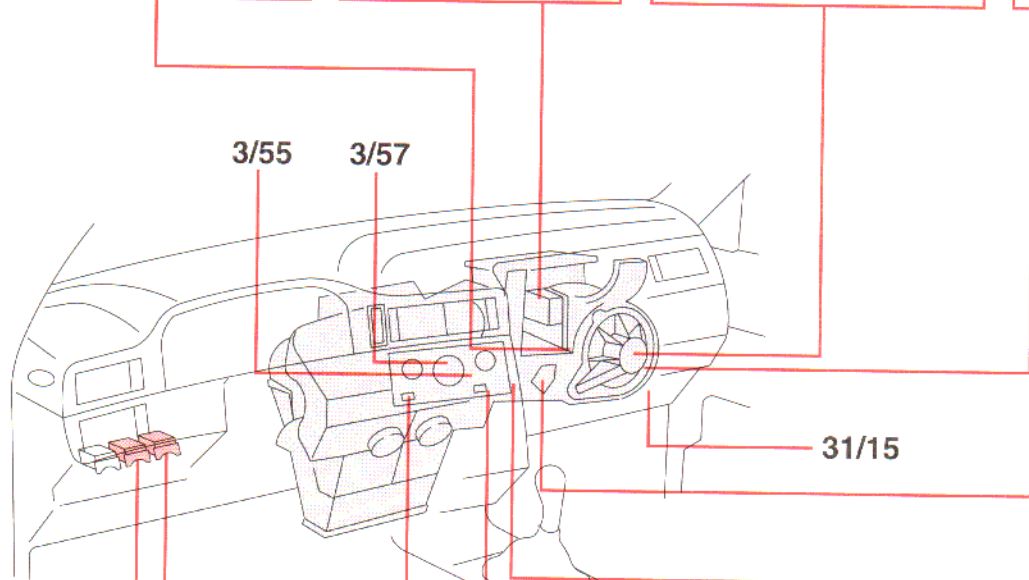
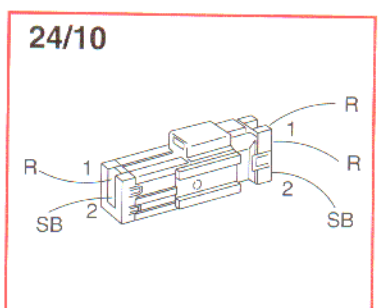
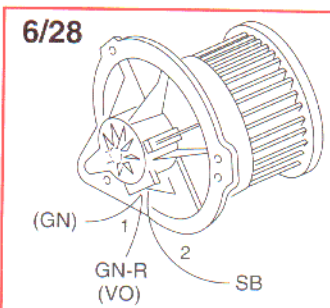
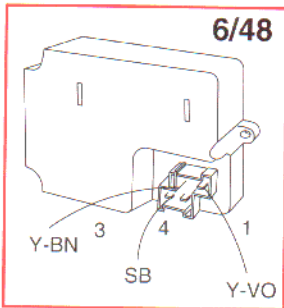
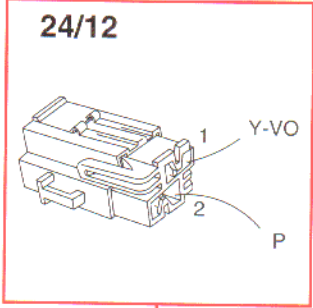
6/52

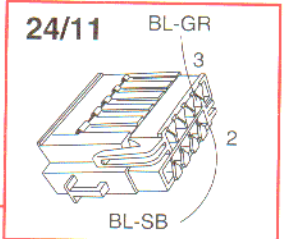
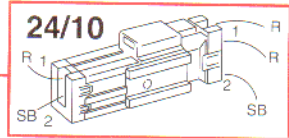
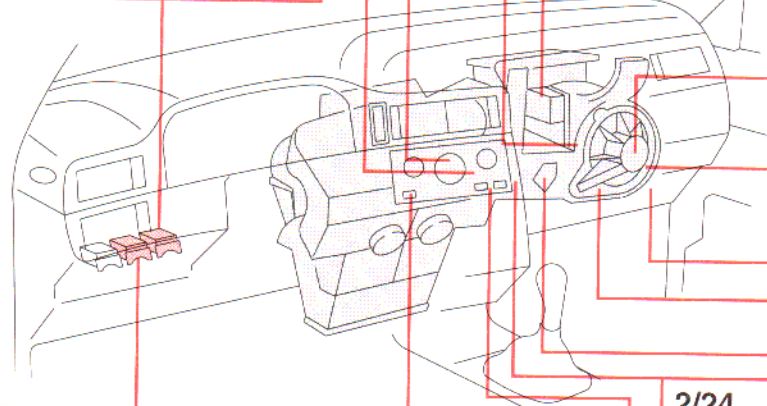
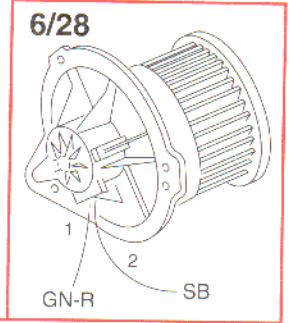
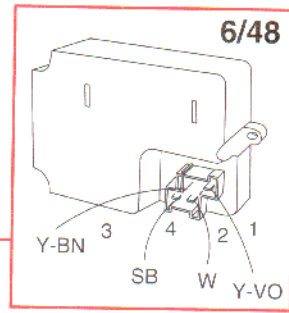
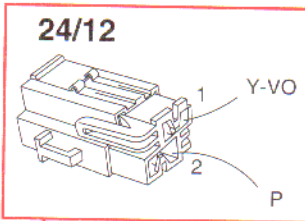
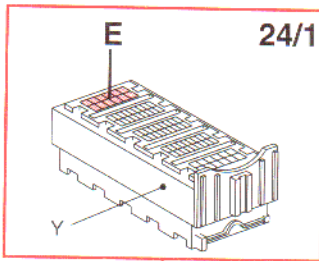
6/53

6/51

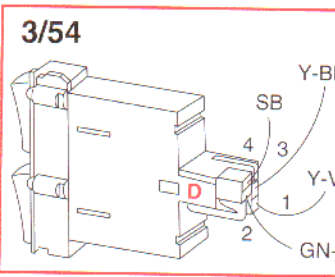
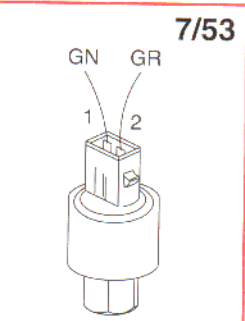
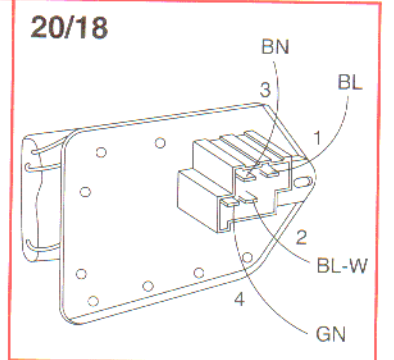
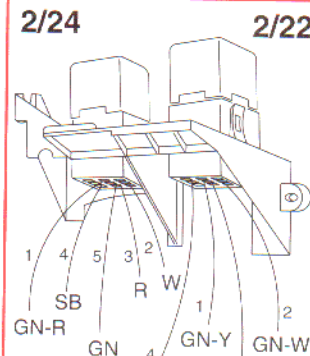
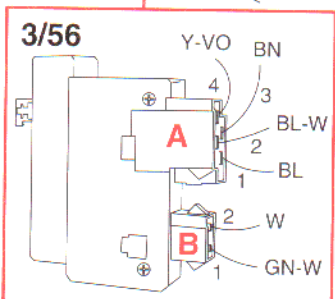
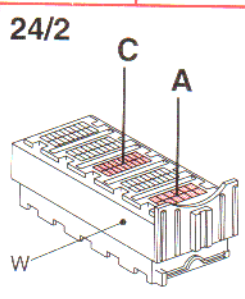


3/89

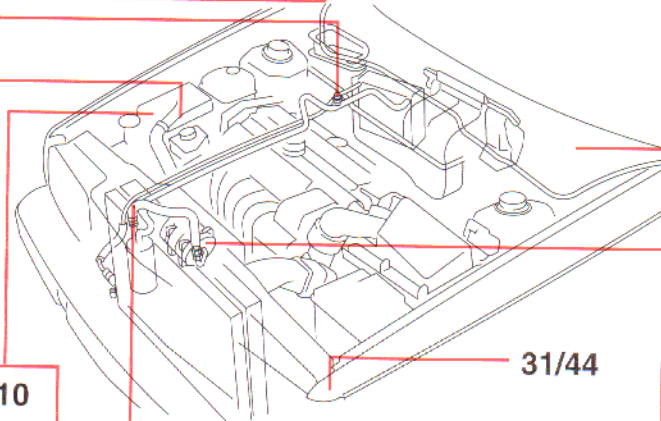
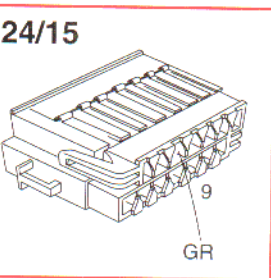
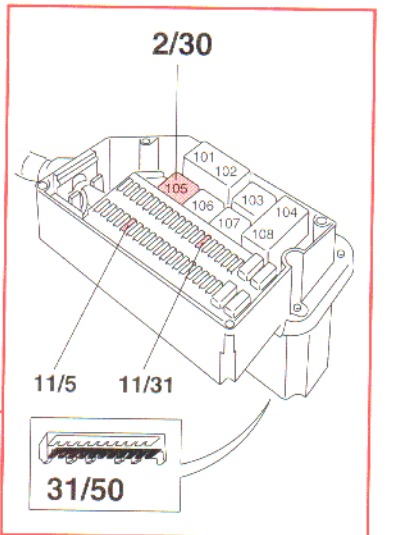




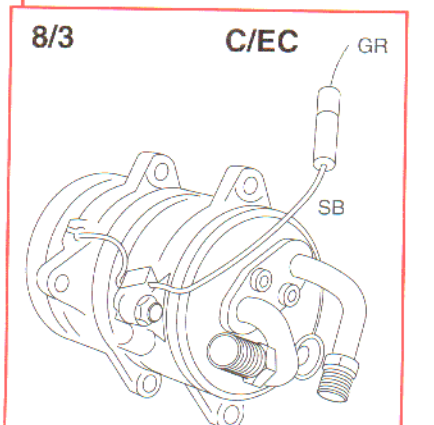
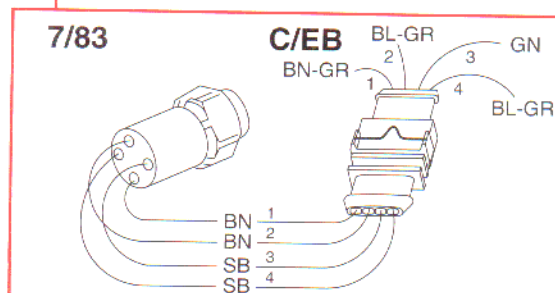
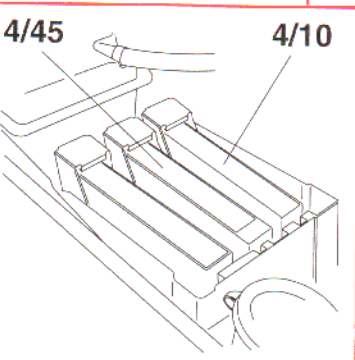
31/15

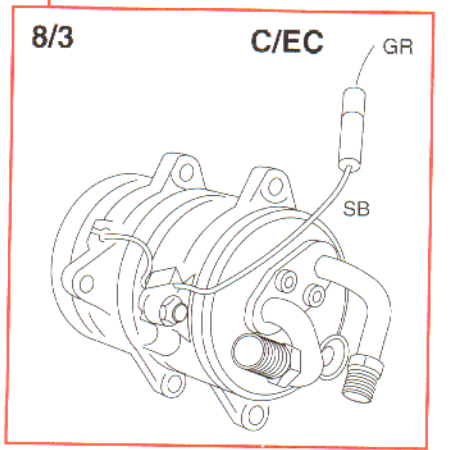
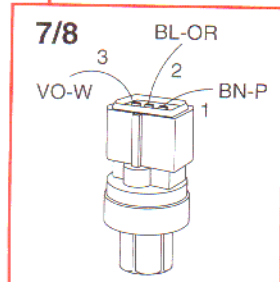
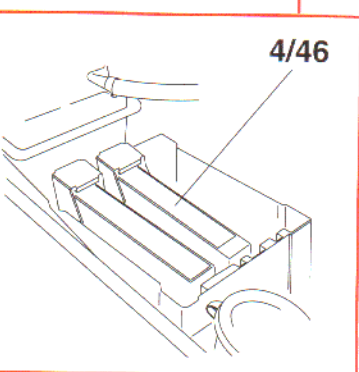
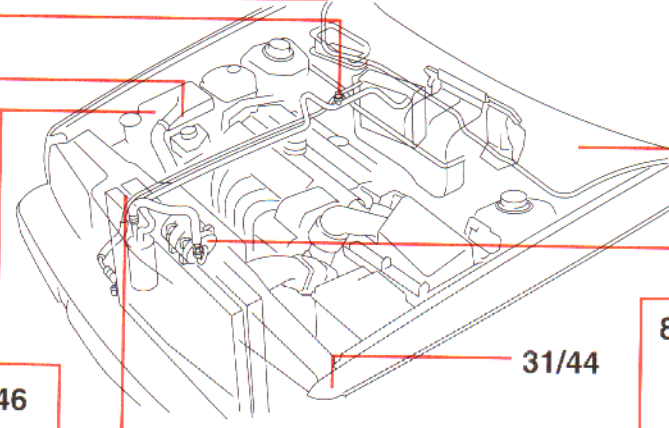
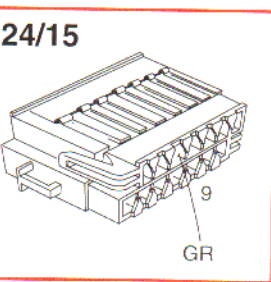
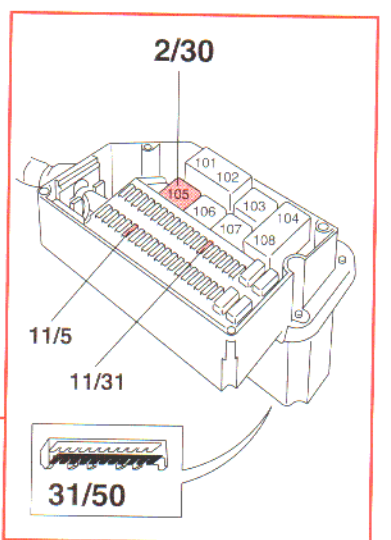
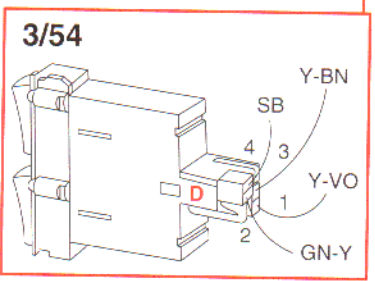
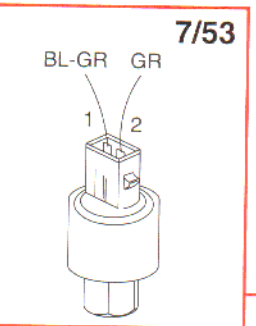
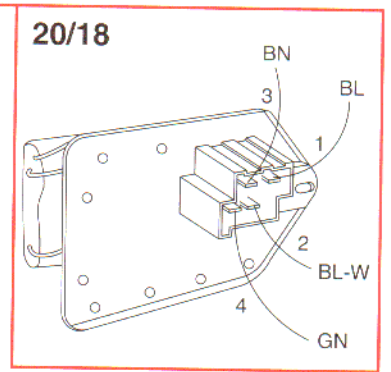
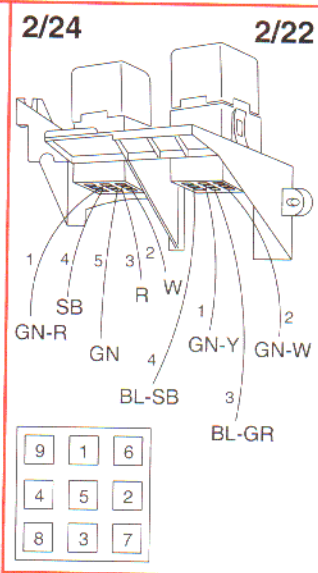
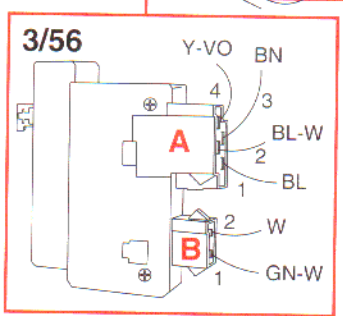
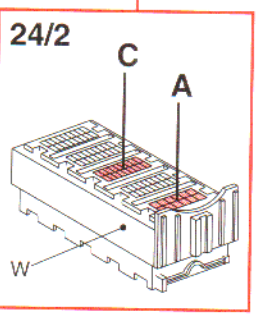
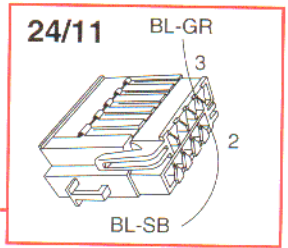
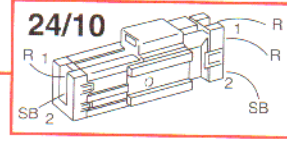
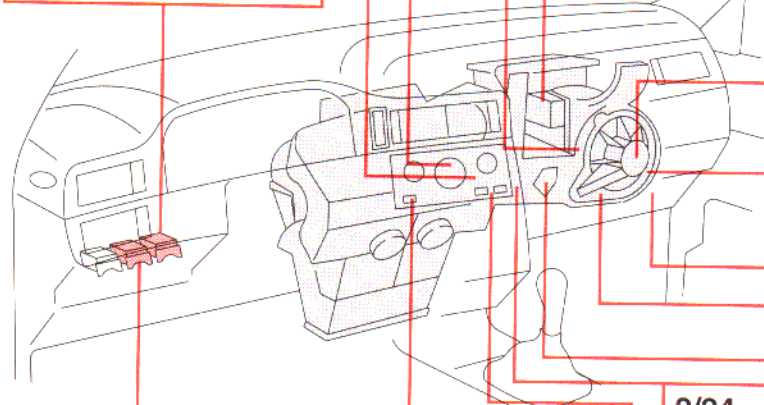
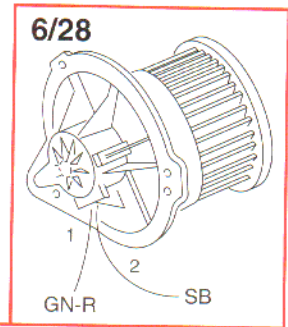
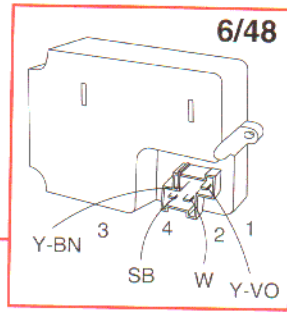
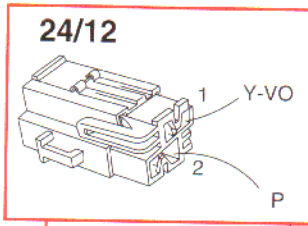
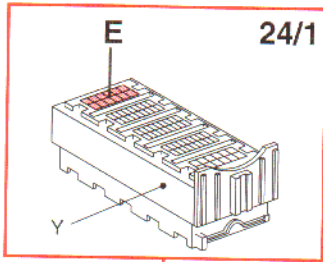


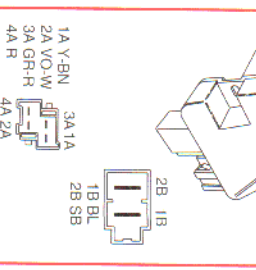
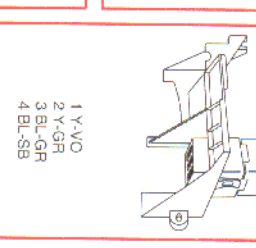
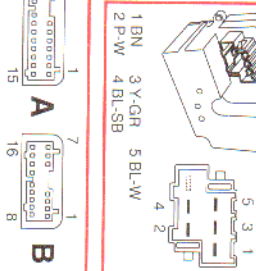
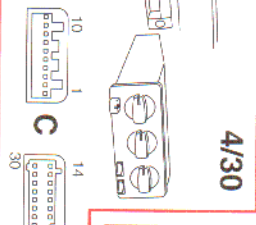
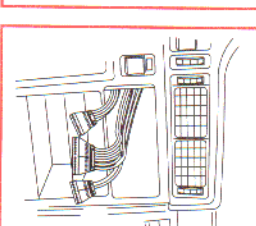
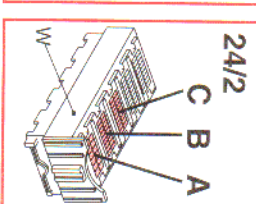
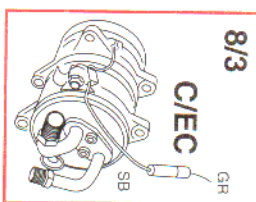
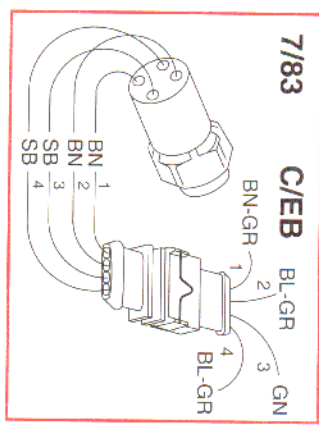
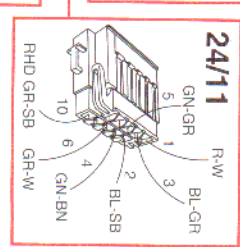
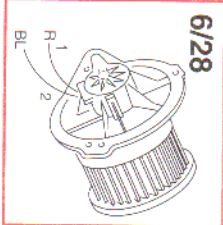
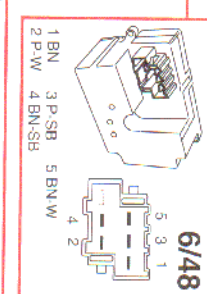
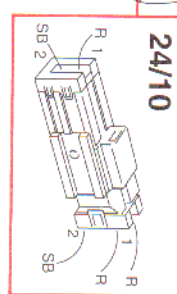
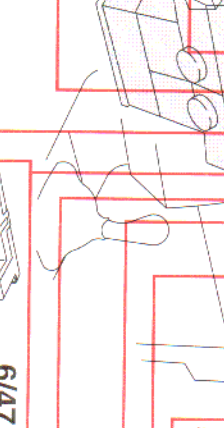
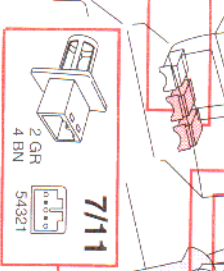
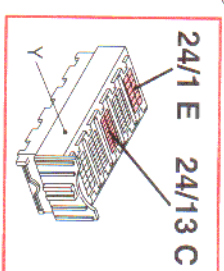
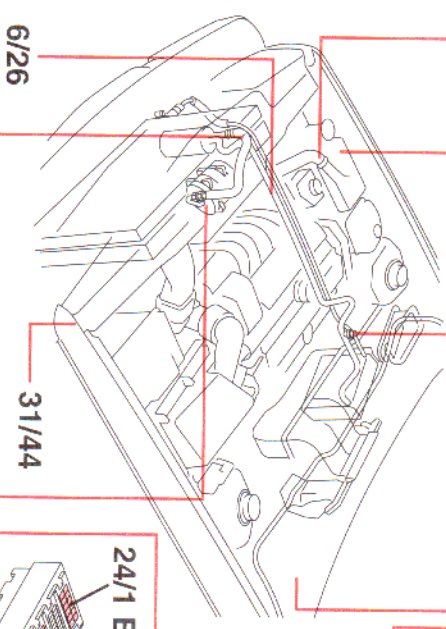
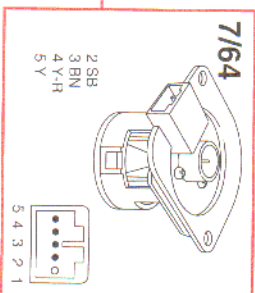
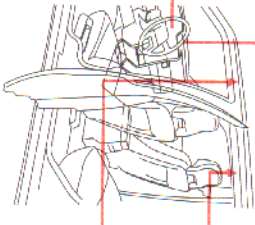
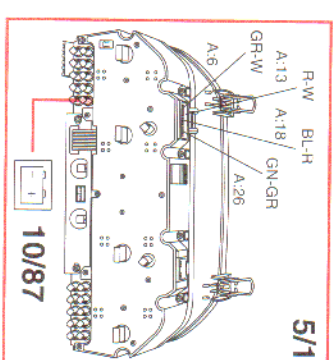
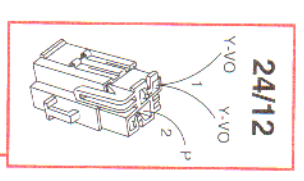
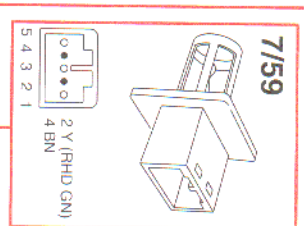
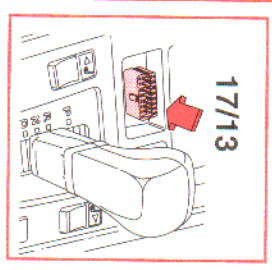
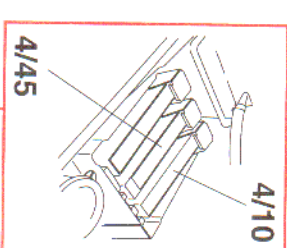
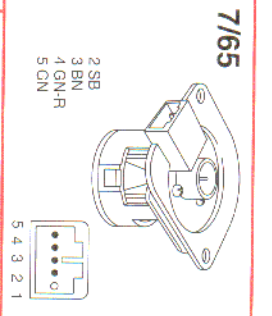
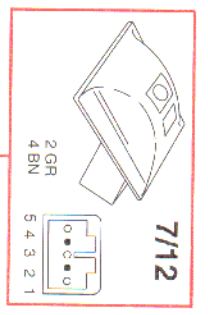
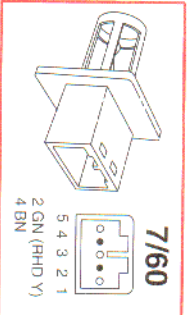
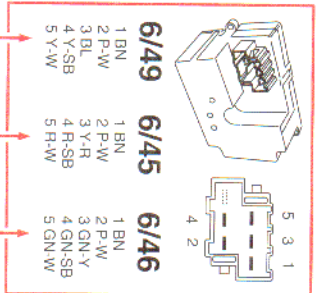
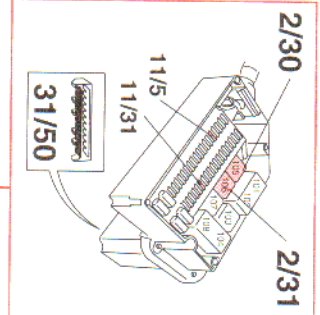
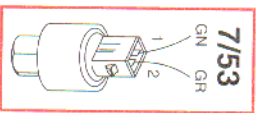
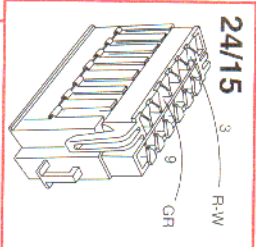
9	1	6
4	5	2
8	3	7

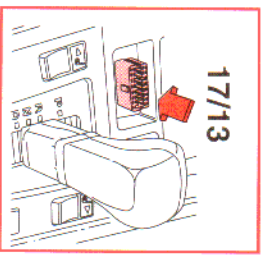
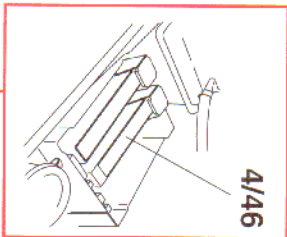
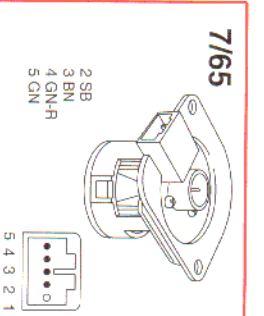
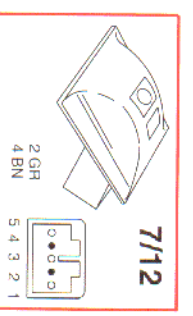
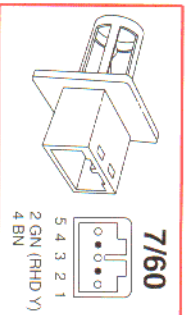
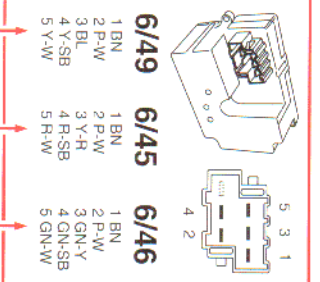
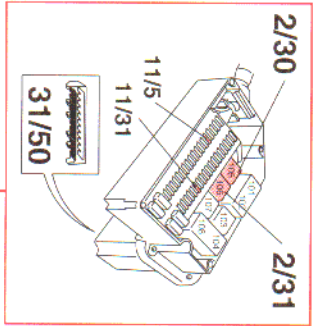
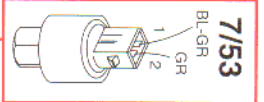
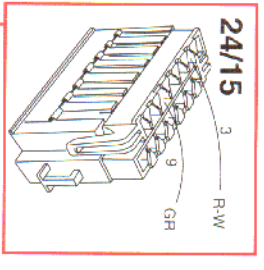


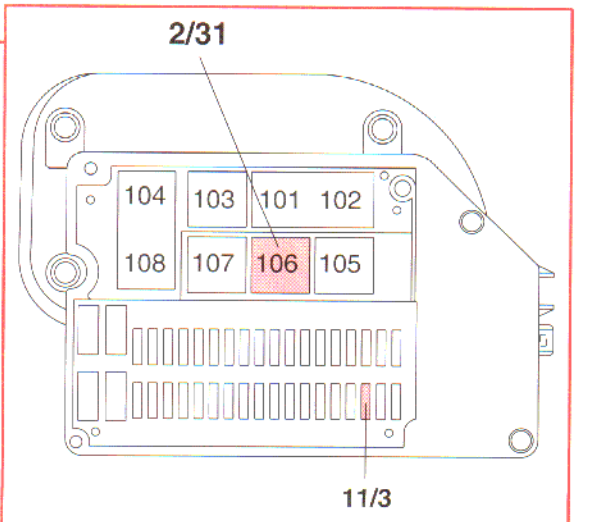
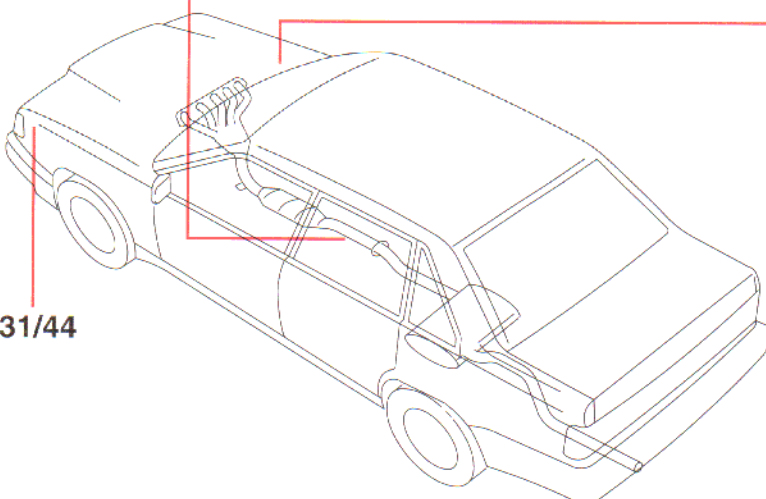
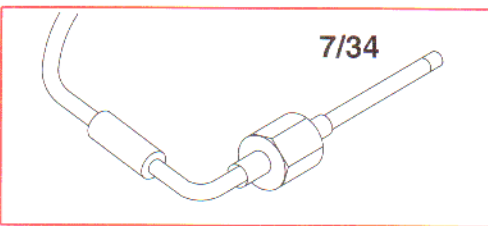
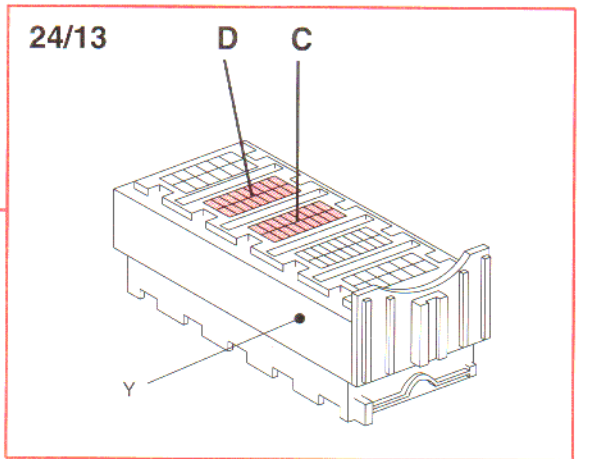
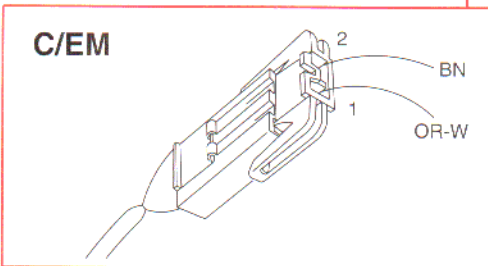
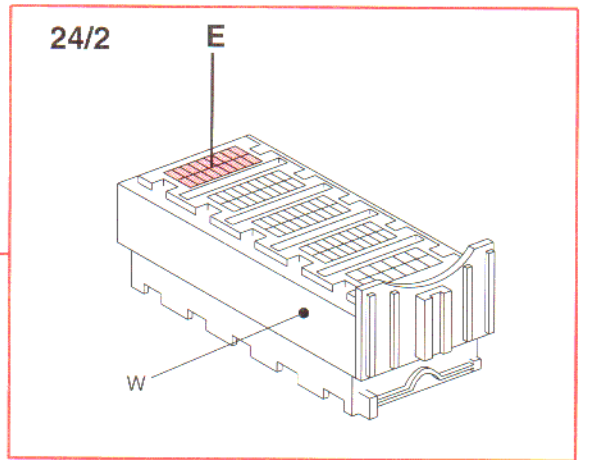
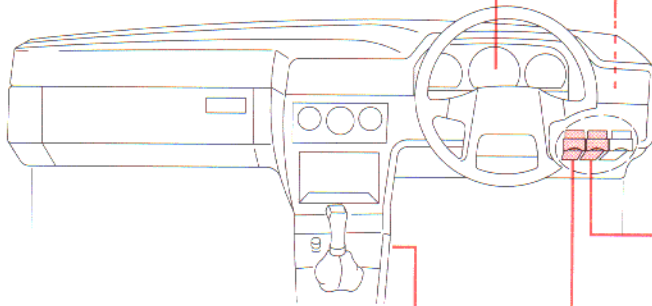
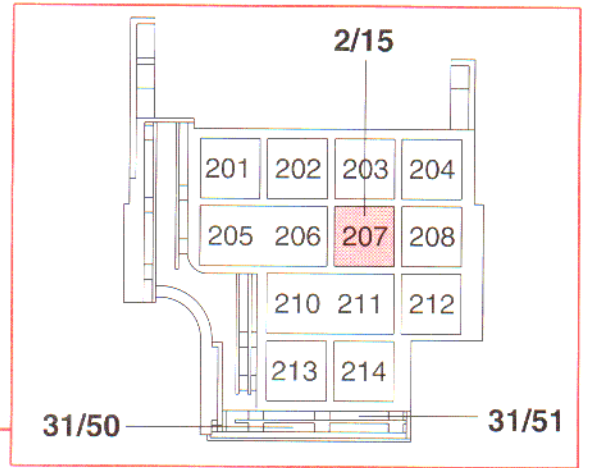
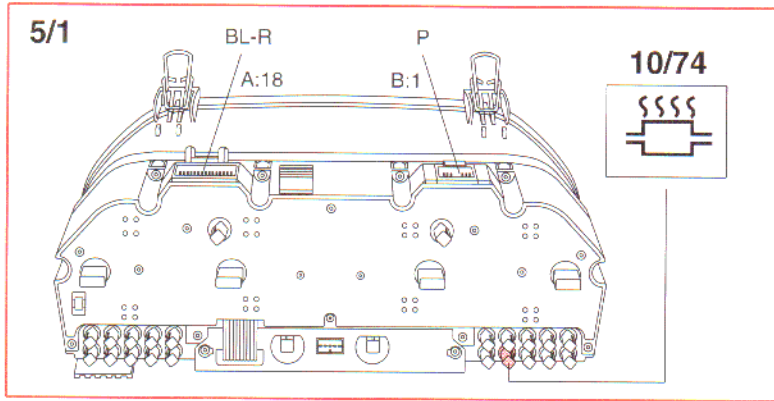
31/44

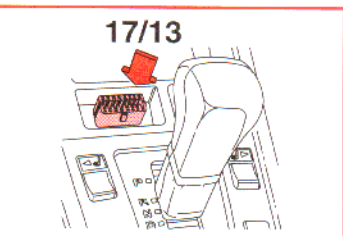
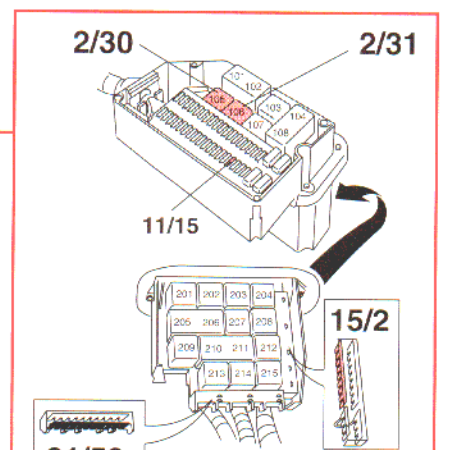
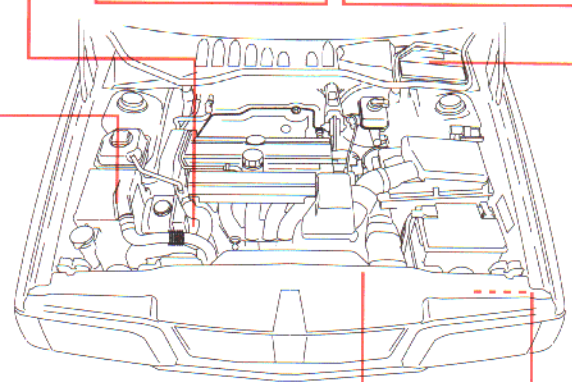
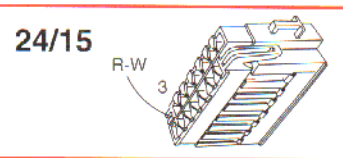
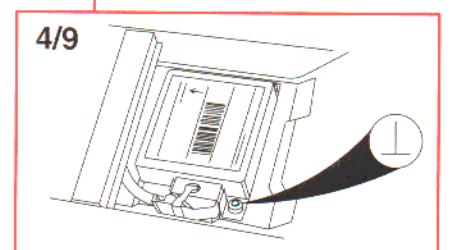
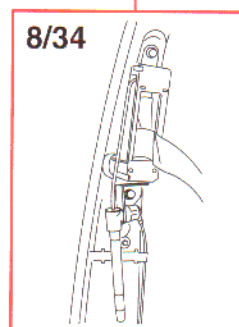
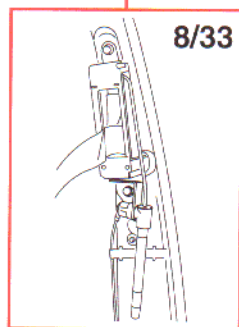
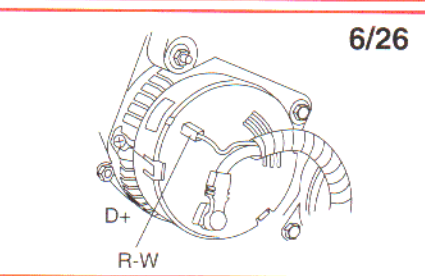
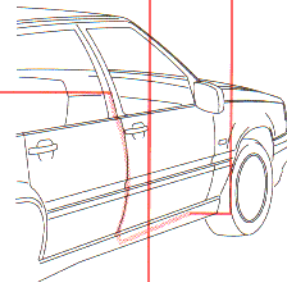
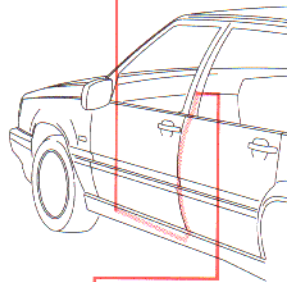
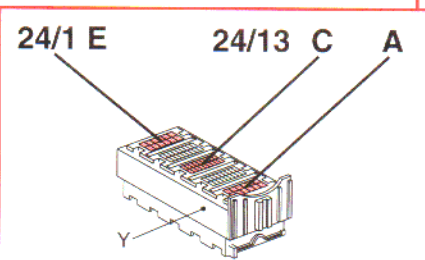
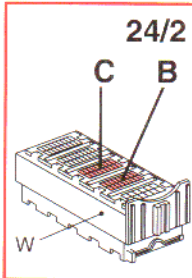
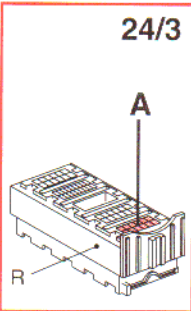
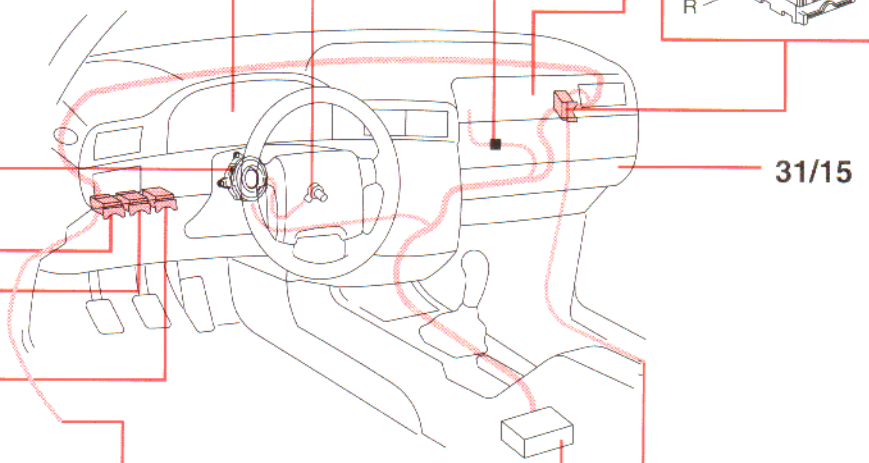
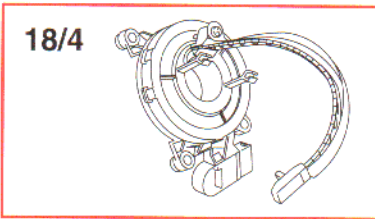
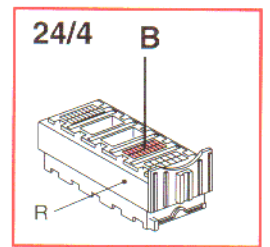
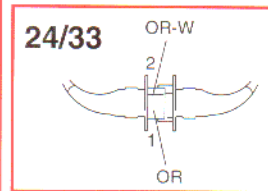
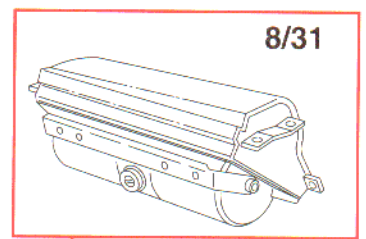
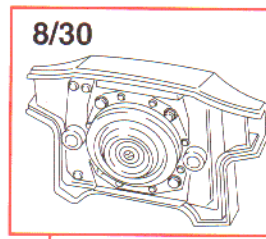
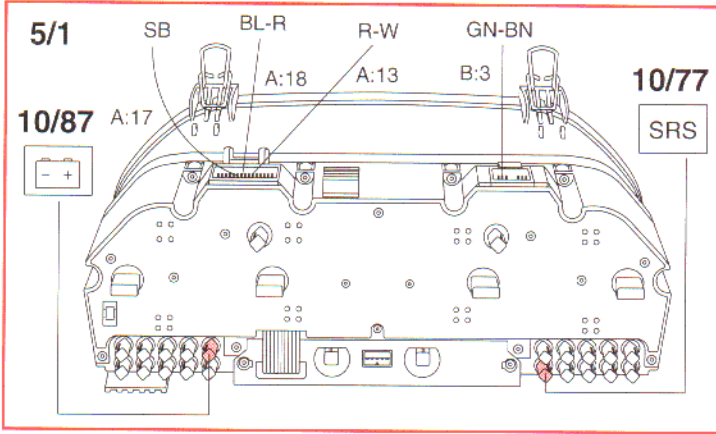






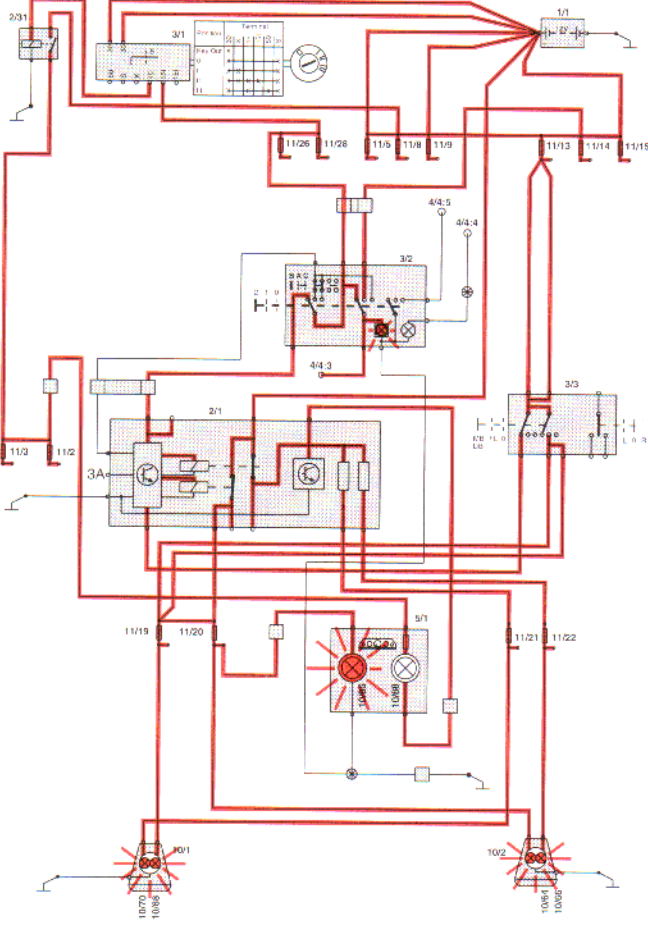




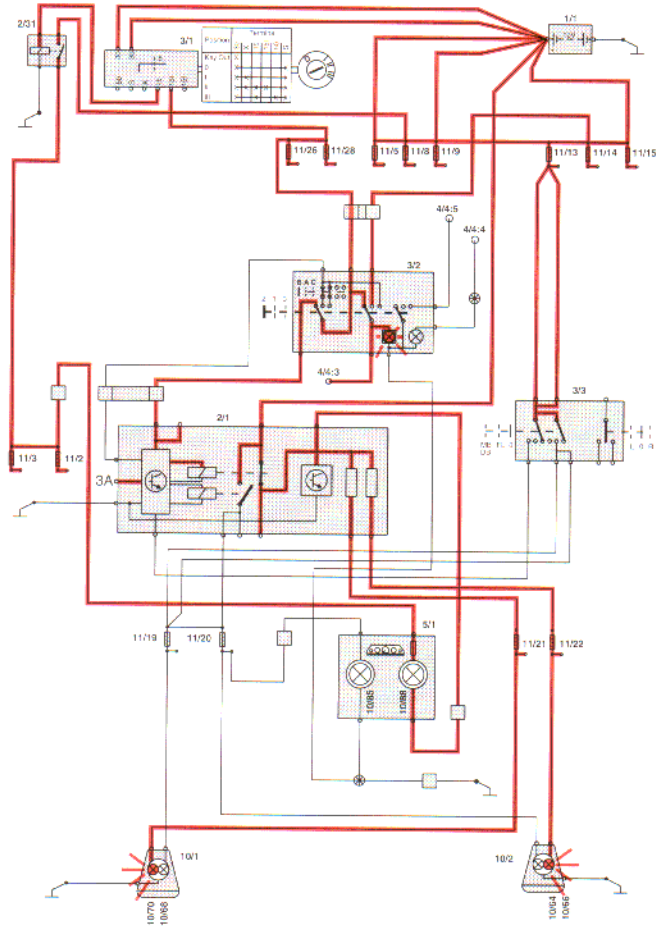


High and low beam, Canada Function diagram

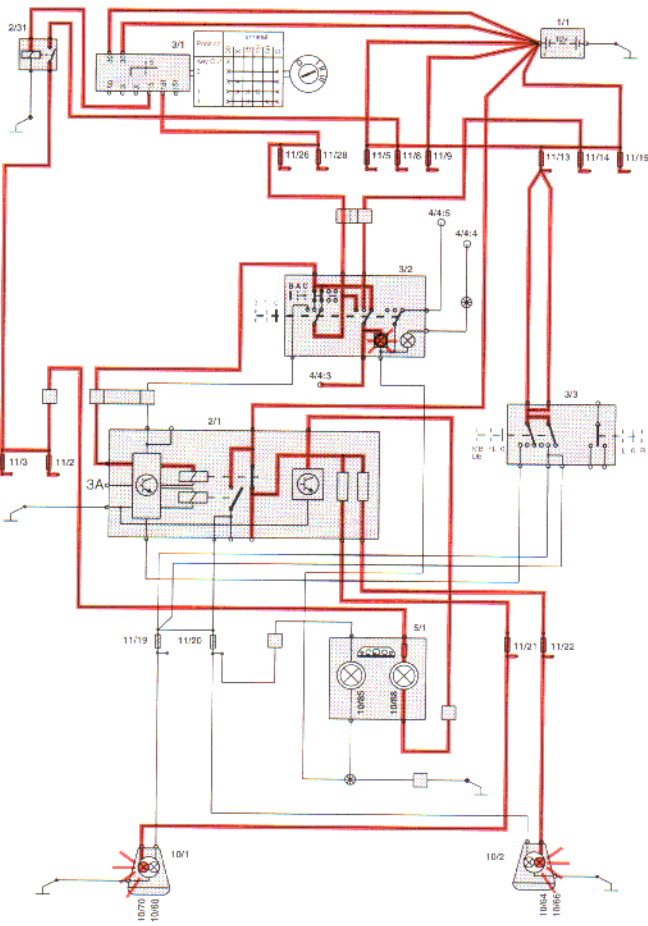
High beam



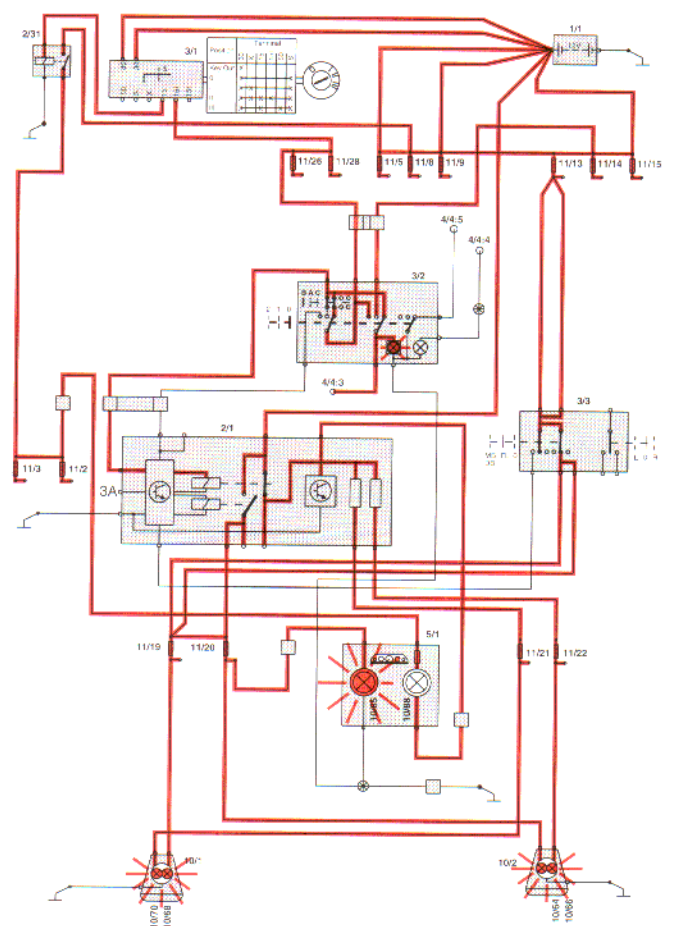
Low beam



Automatic low beam

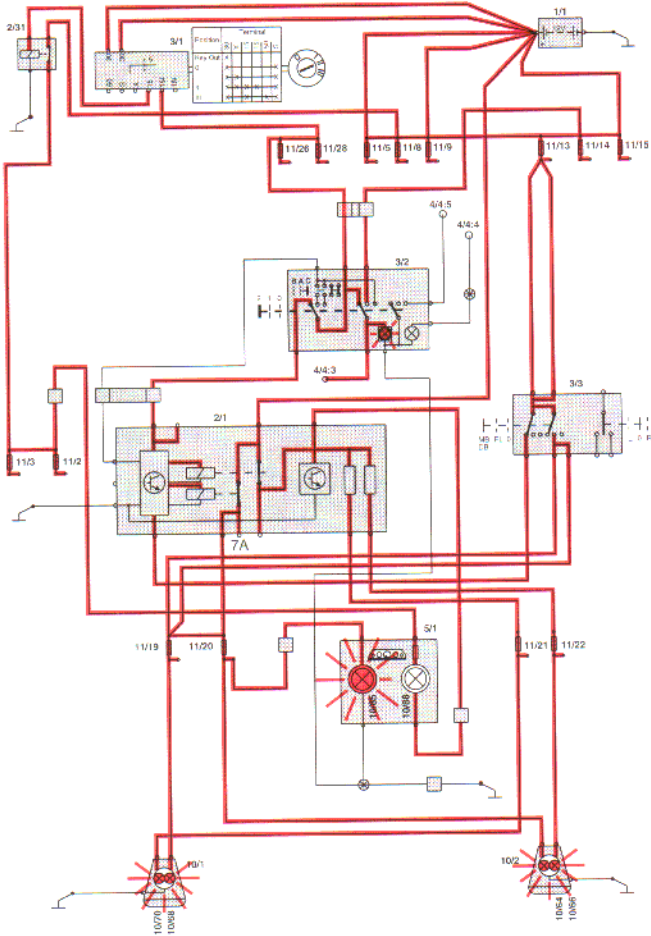


High beam flasher

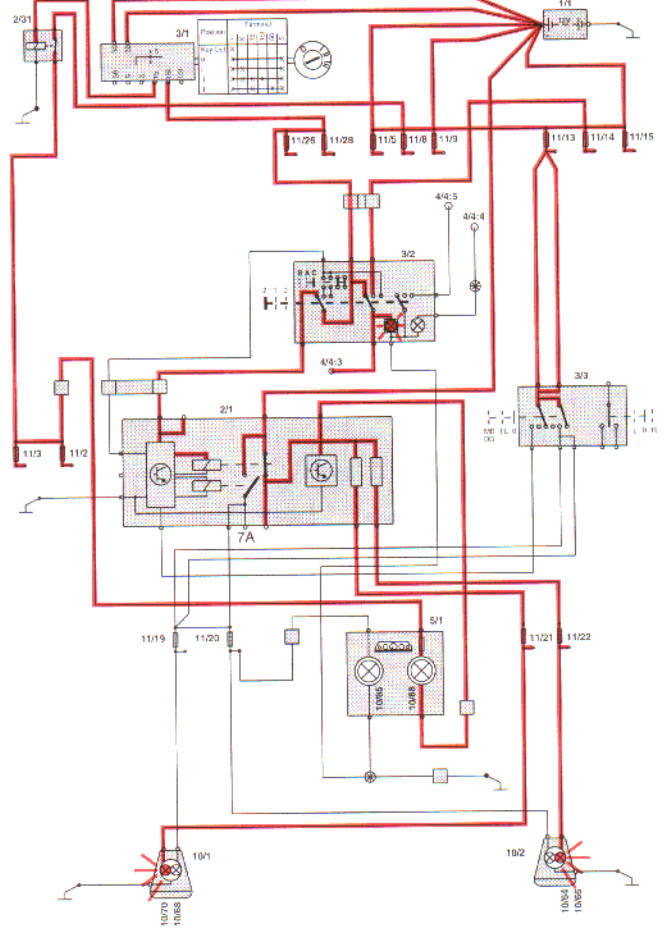


High and low beam, other Function diagram

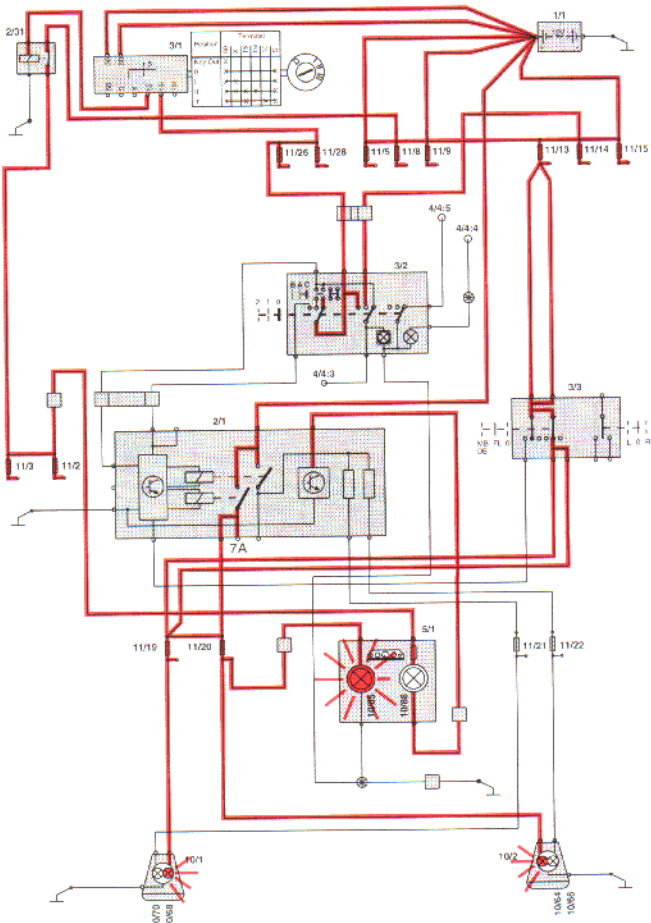
High beam



Low beam

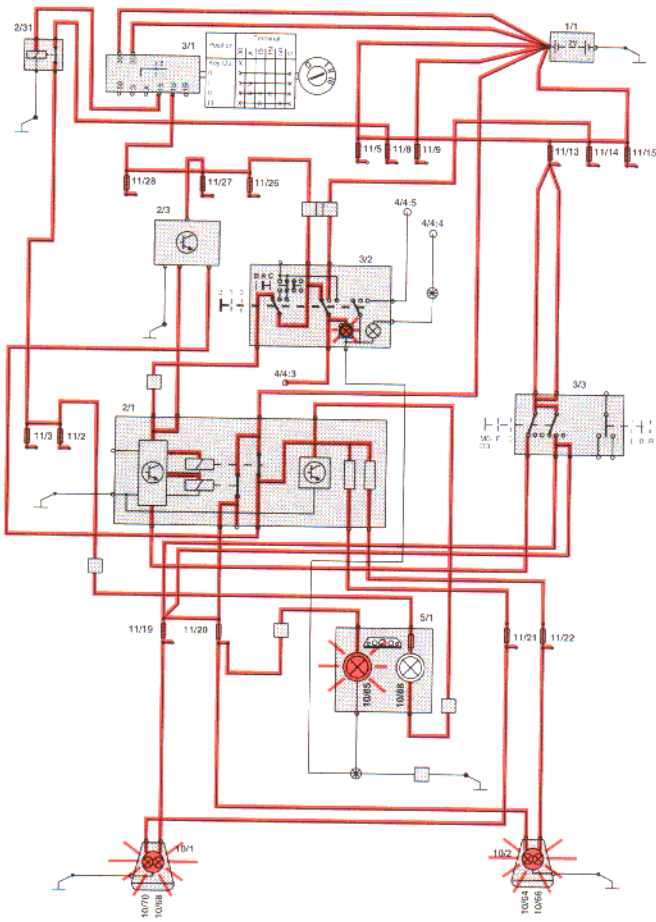


High beam flasher

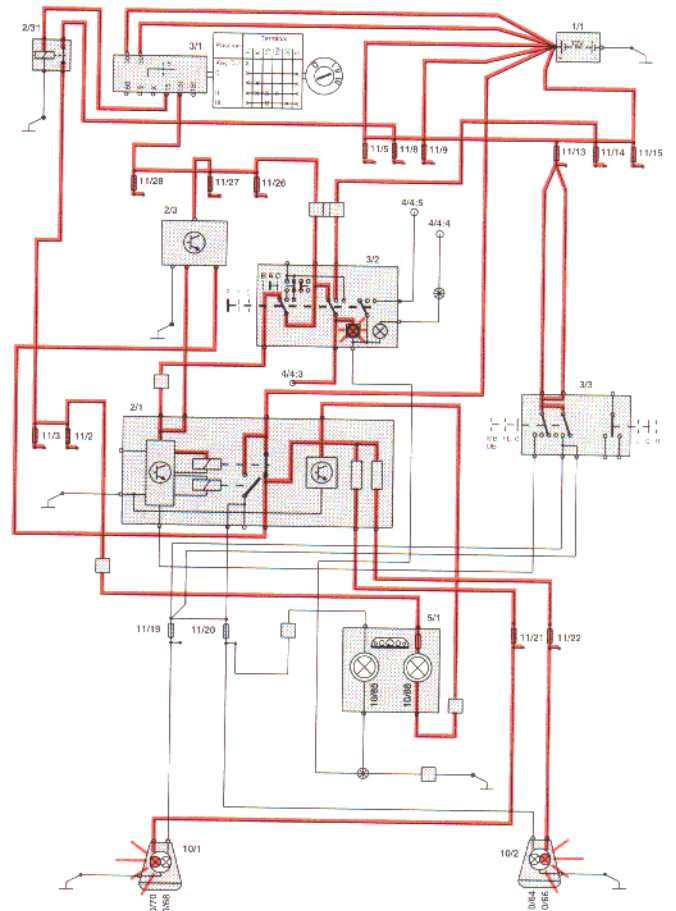


High and low beam with DIM-DIP, GB Function diagram

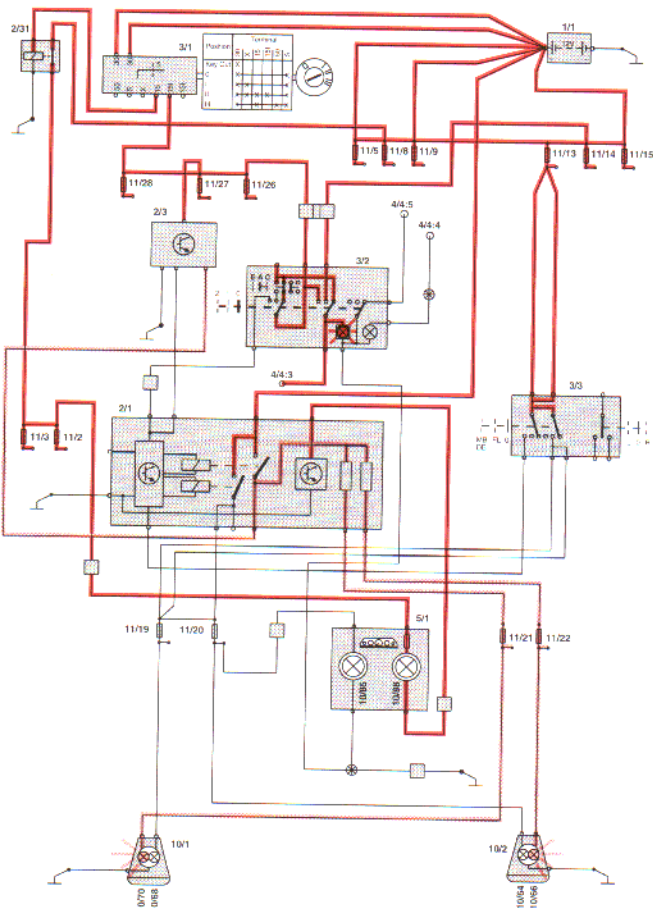
High beam



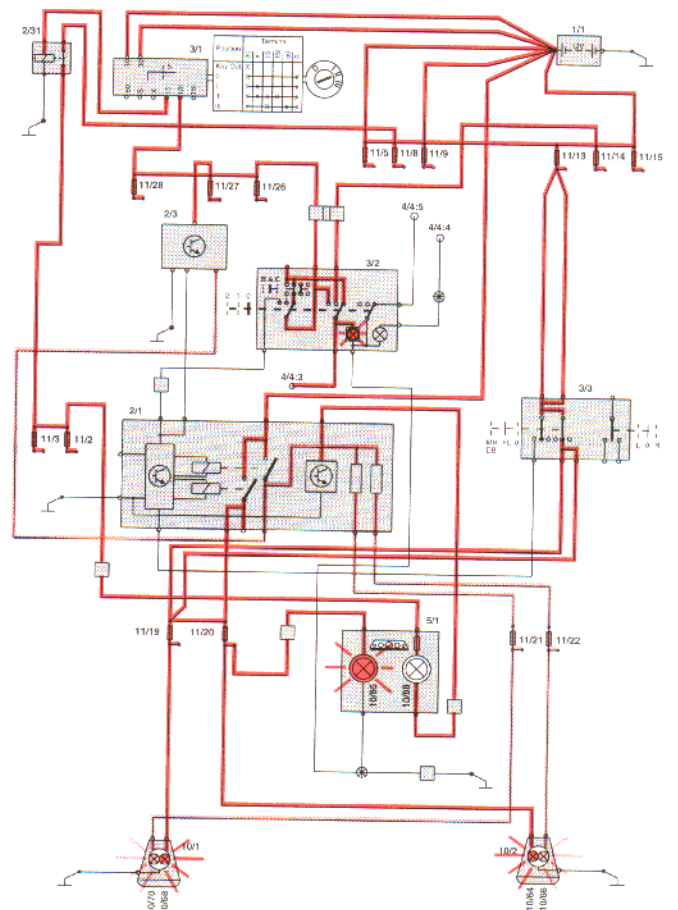
Low beam



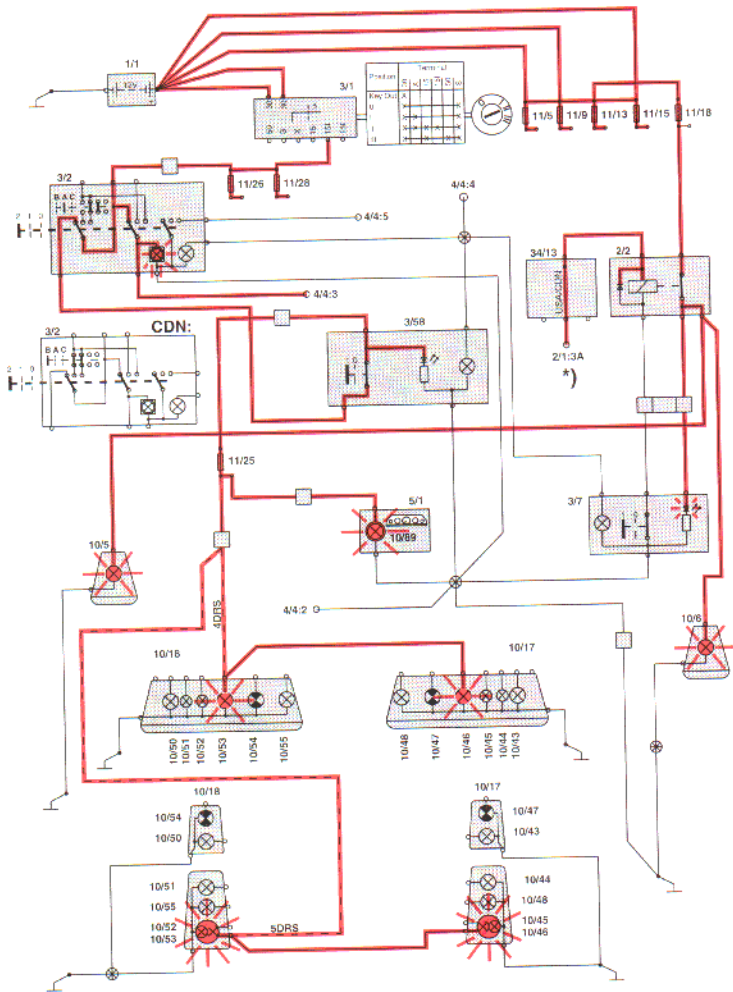
Reduced automatic low beam



High beam flasher

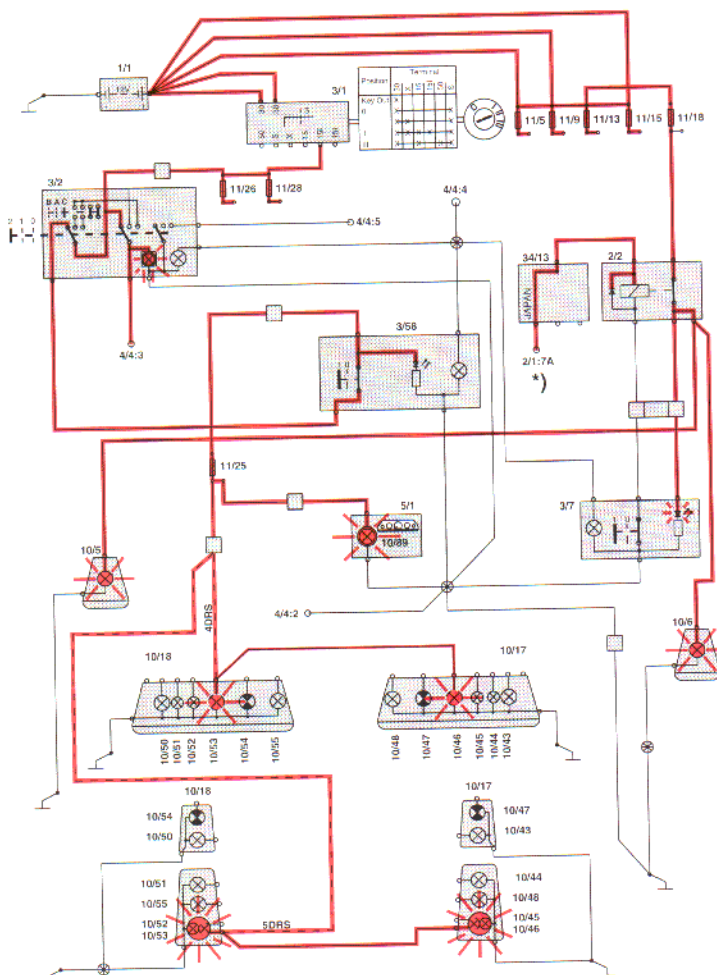


Fog lights Function diagram



USA and Canada

*) See function diagram or high and low beam pages 206 and 207.

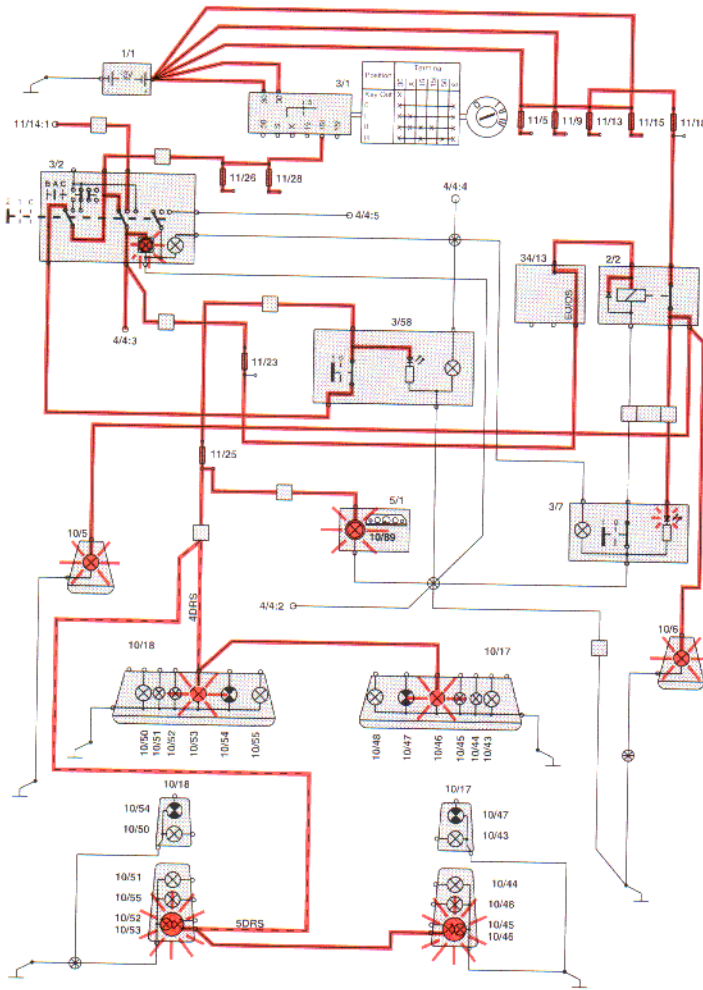


Japan

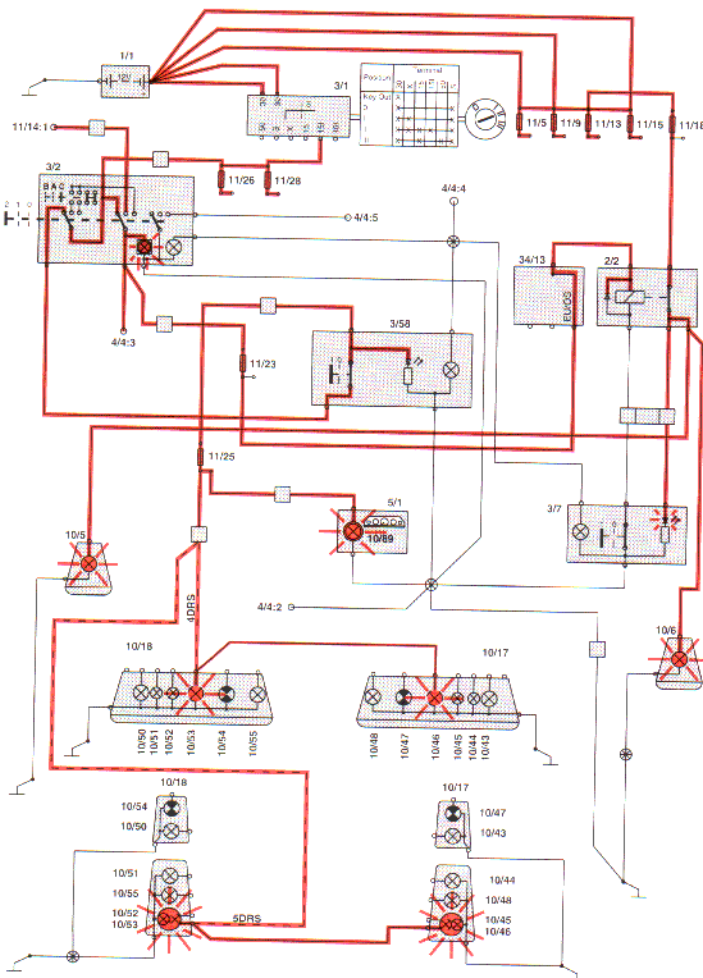
*) See function diagram for high and low beam see page 208.

Fog lights Function diagram

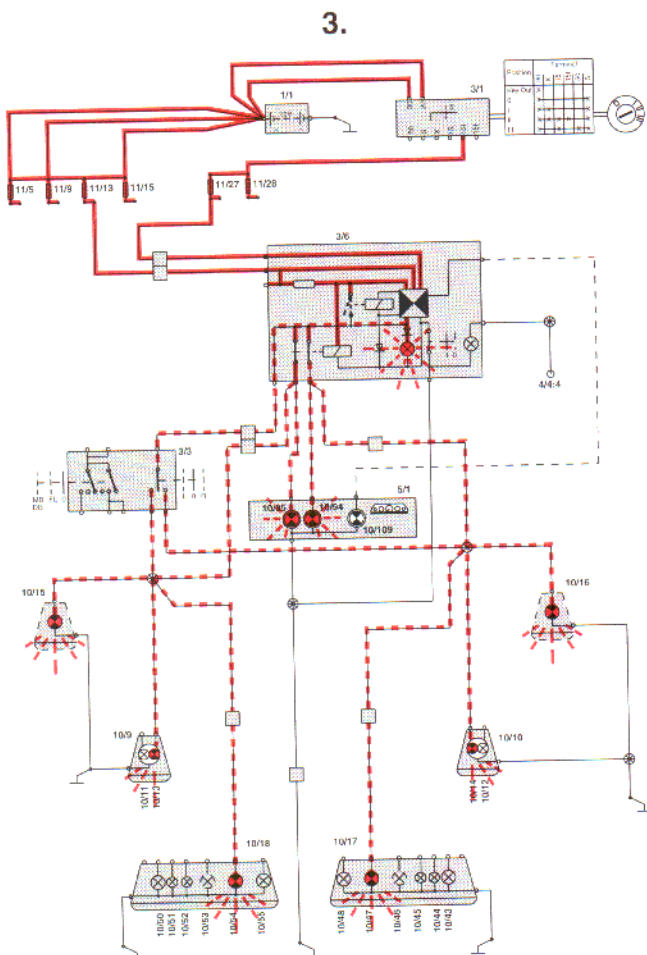
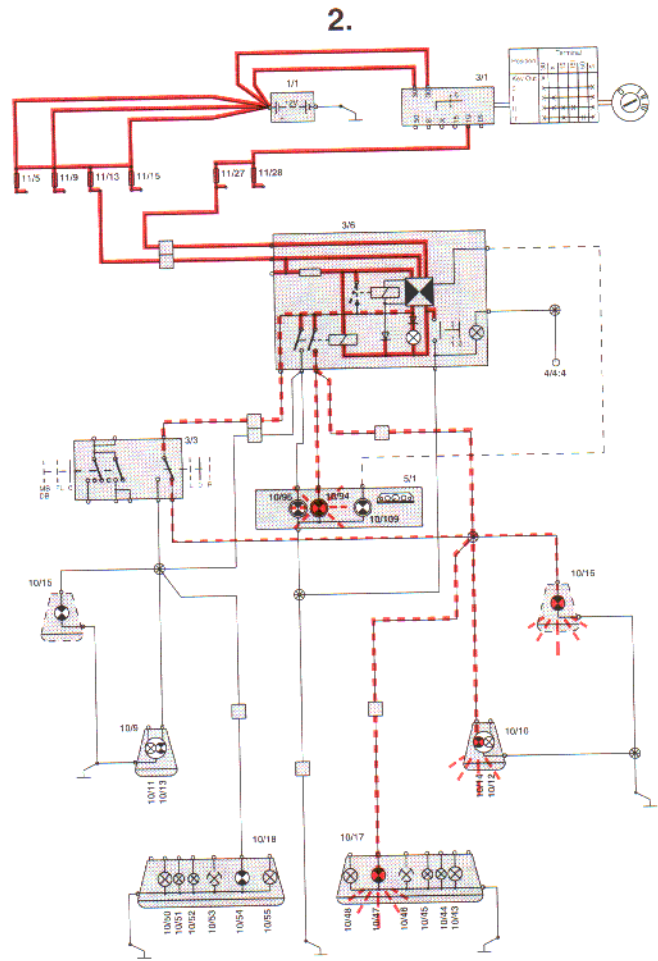
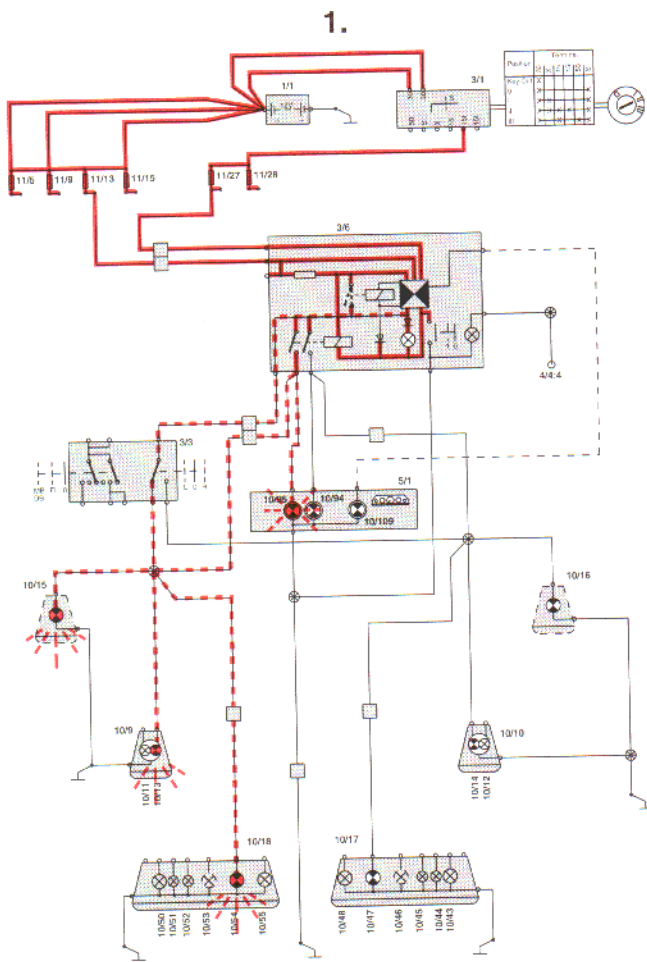
The Nordic countries, the Netherlands, Belgium and GB



Other



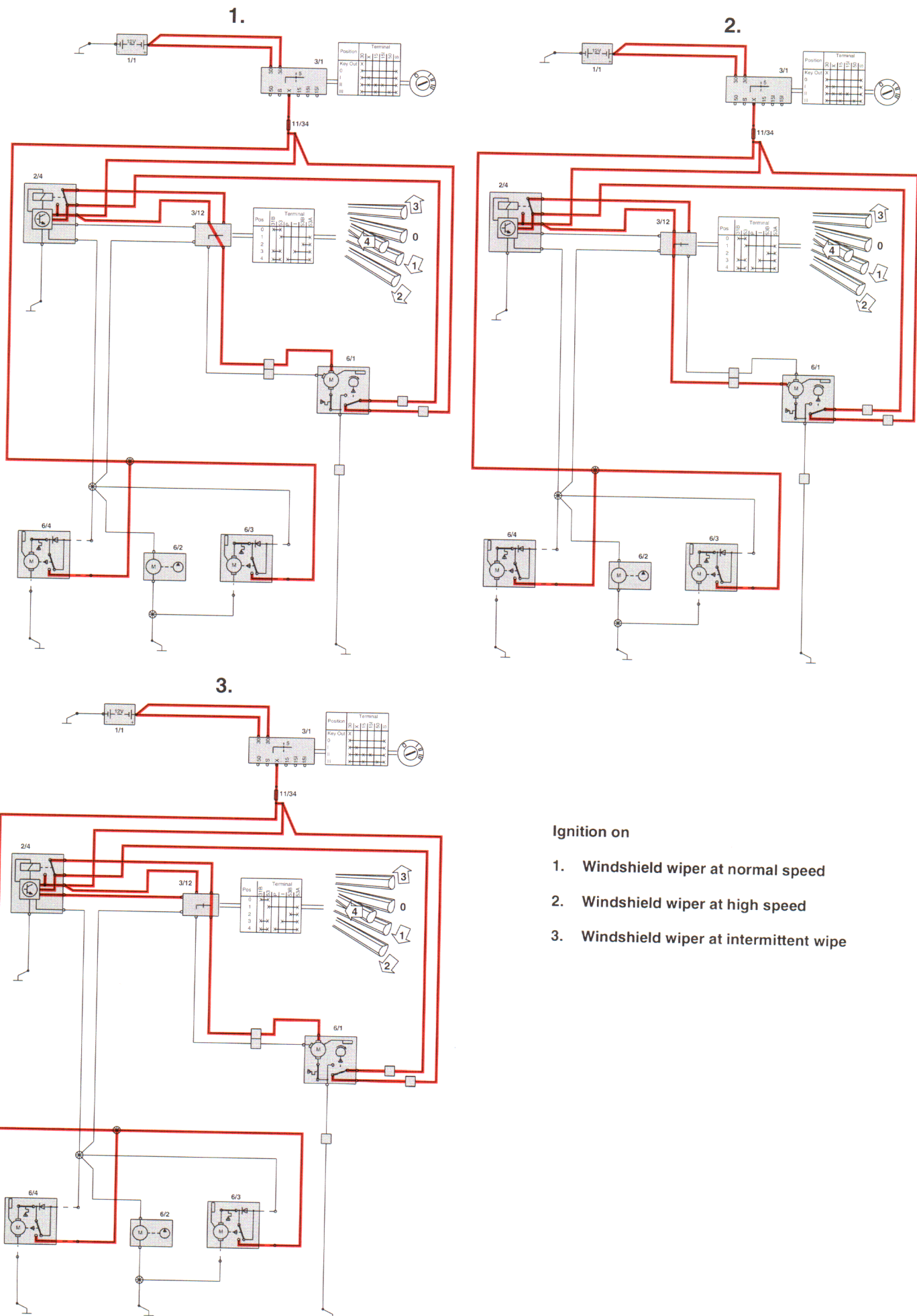
Turn signal / hazard lights Function diagram



Ignition on

1. Left turn signal connected
2. Right turn signal connected
3. Hazard lights connected

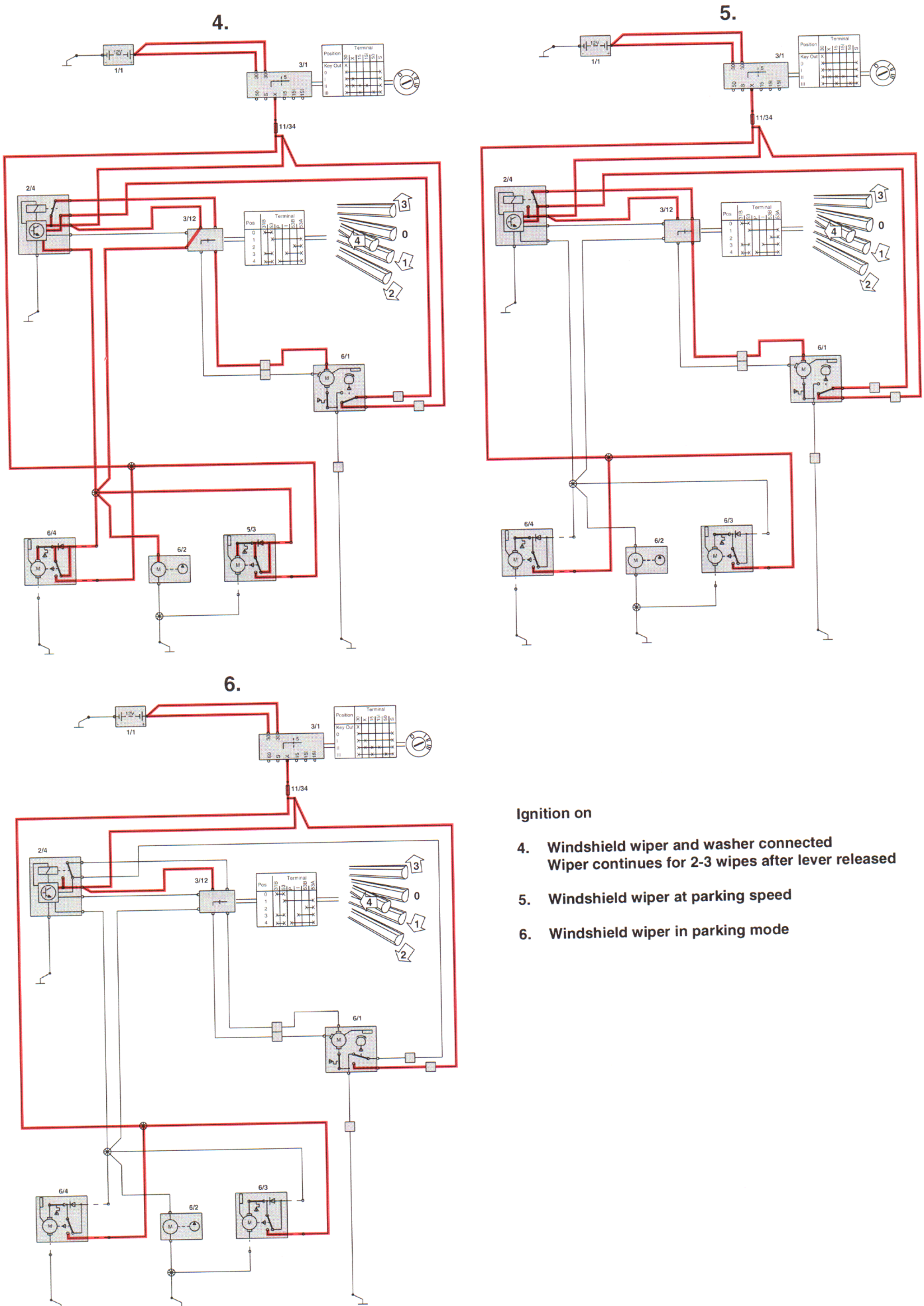
Windshield and headlight wash/wipe Function diagram



Ignition on

1. Windshield wiper at normal speed
2. Windshield wiper at high speed
3. Windshield wiper at intermittent wipe

Windshield and headlight wash/wipe Function diagram

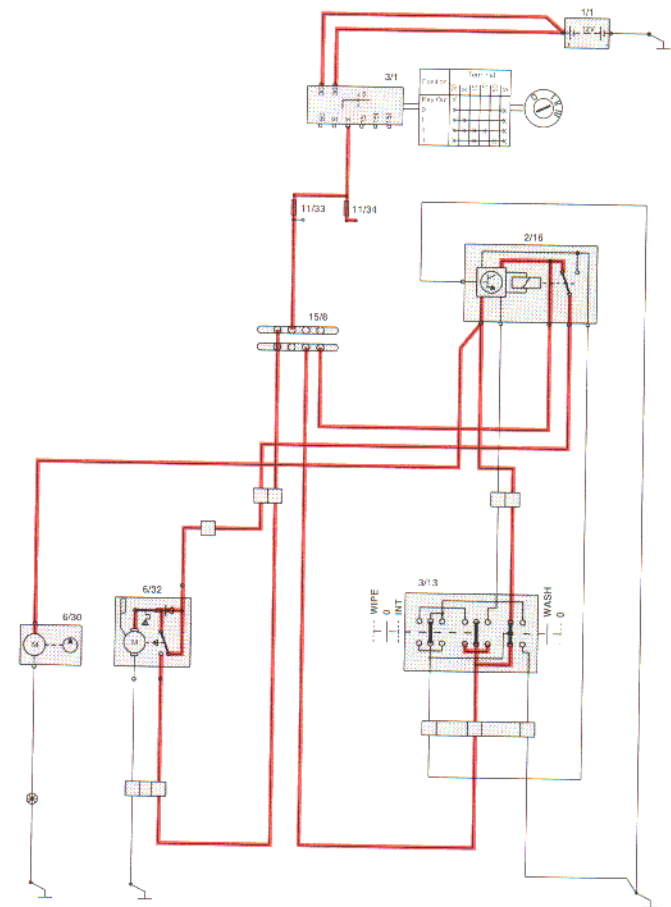
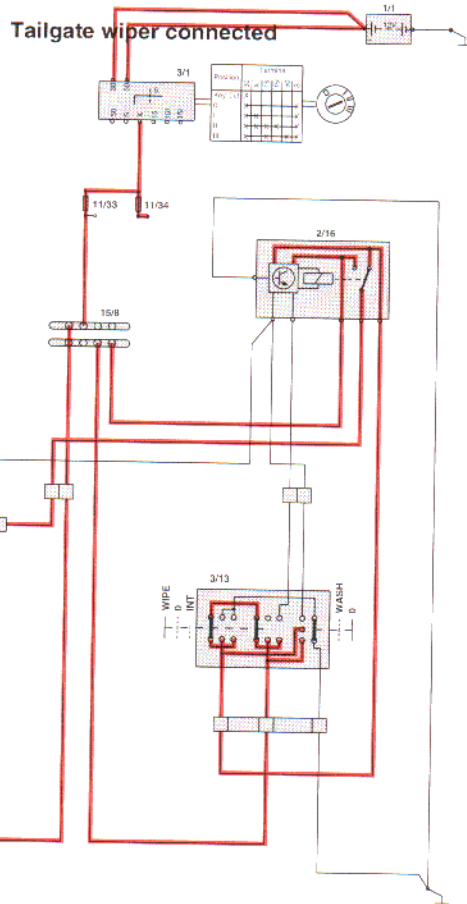


Ignition on

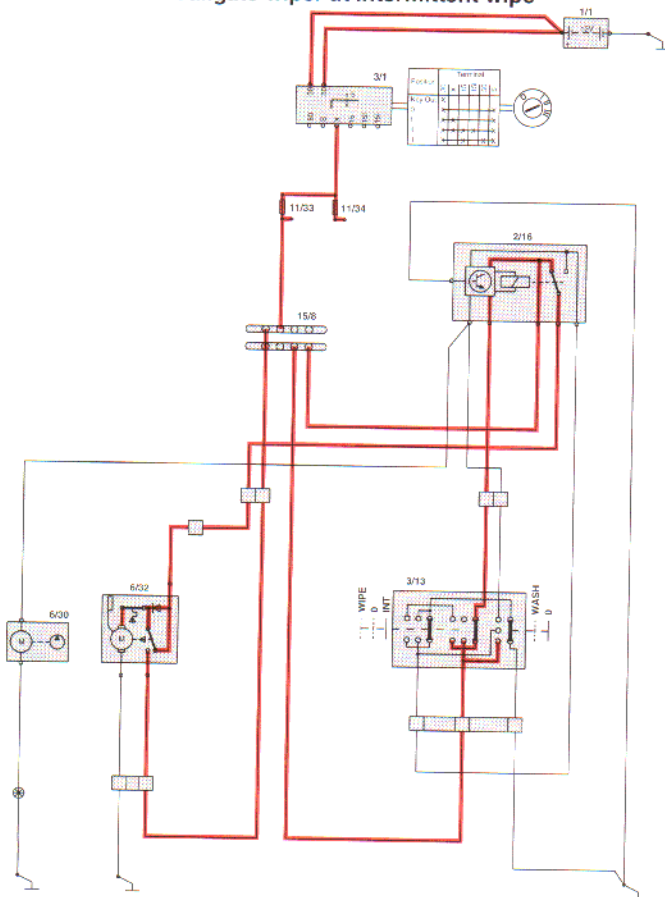
4. Windshield wiper and washer connected
Wiper continues for 2-3 wipes after lever released
5. Windshield wiper at parking speed
6. Windshield wiper in parking mode

Tailgate wash/wipe Function diagram

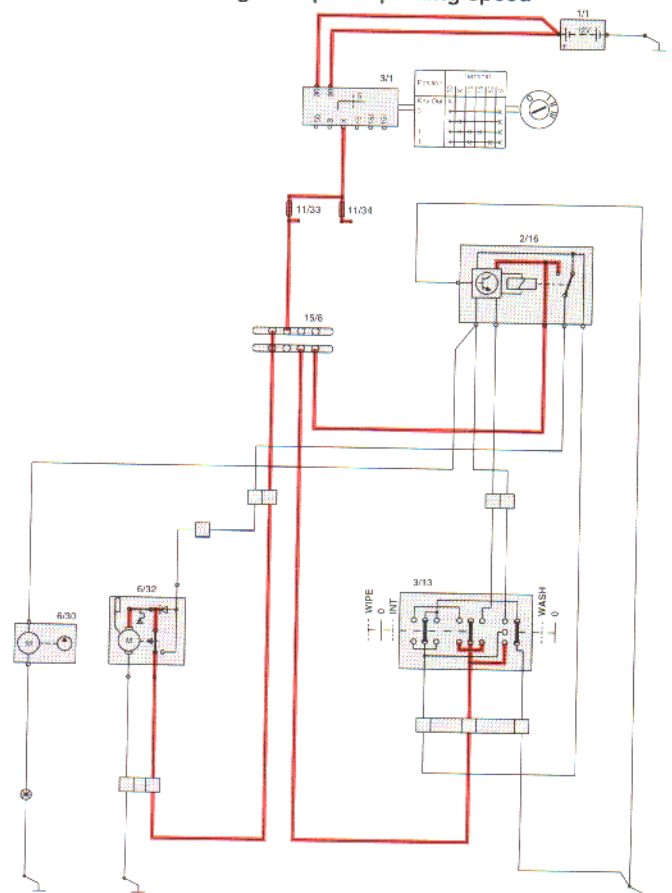
Tailgate wiper and washer connected
Wiper continues for 2-3 wipes after washer button released



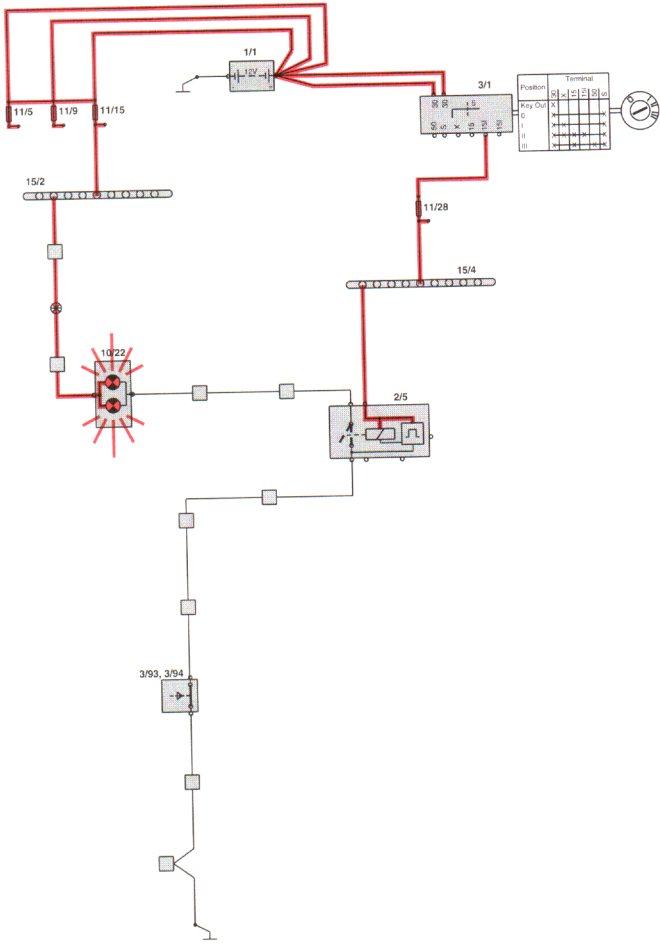
Tailgate wiper at intermittent wipe



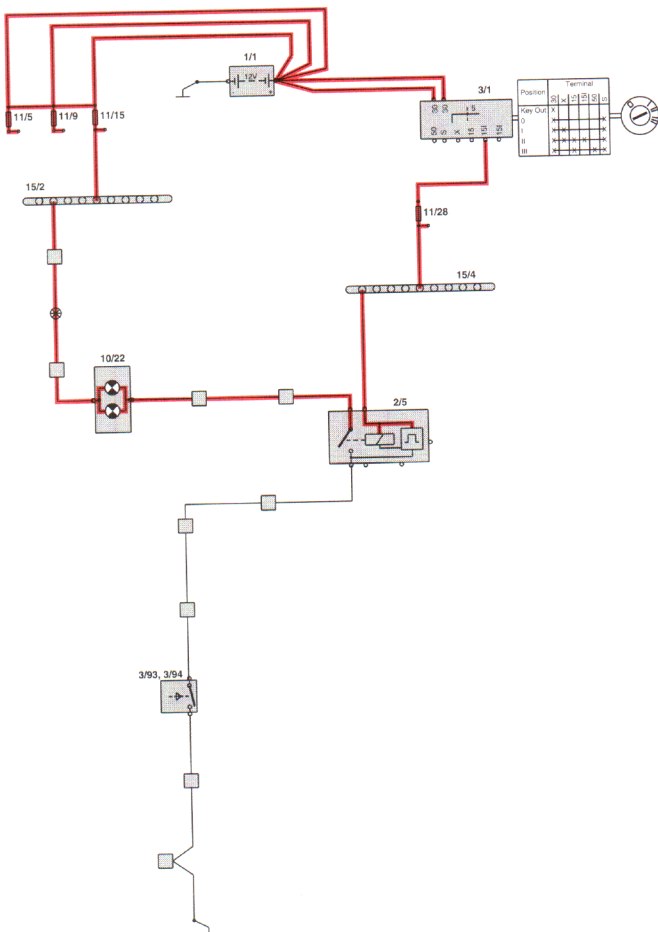
Tailgate wiper at parking speed



Seat belt reminder Function diagram

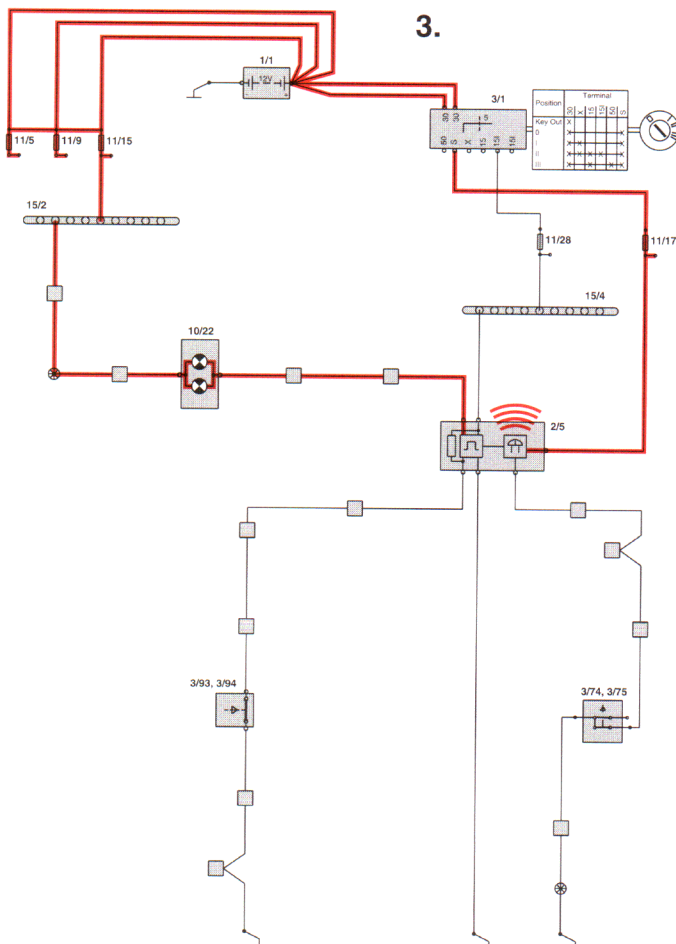
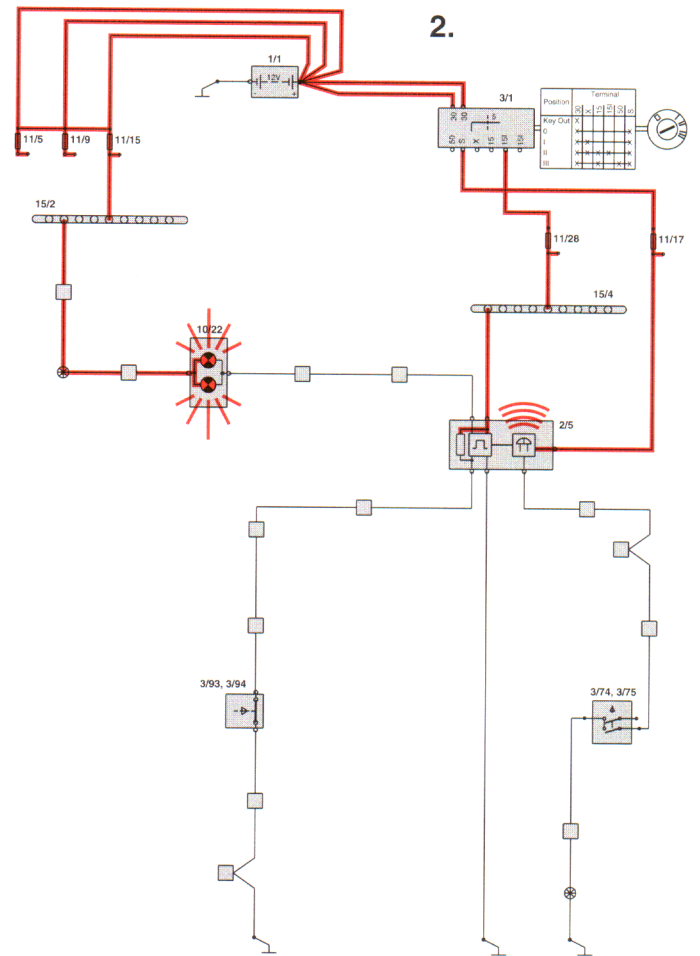
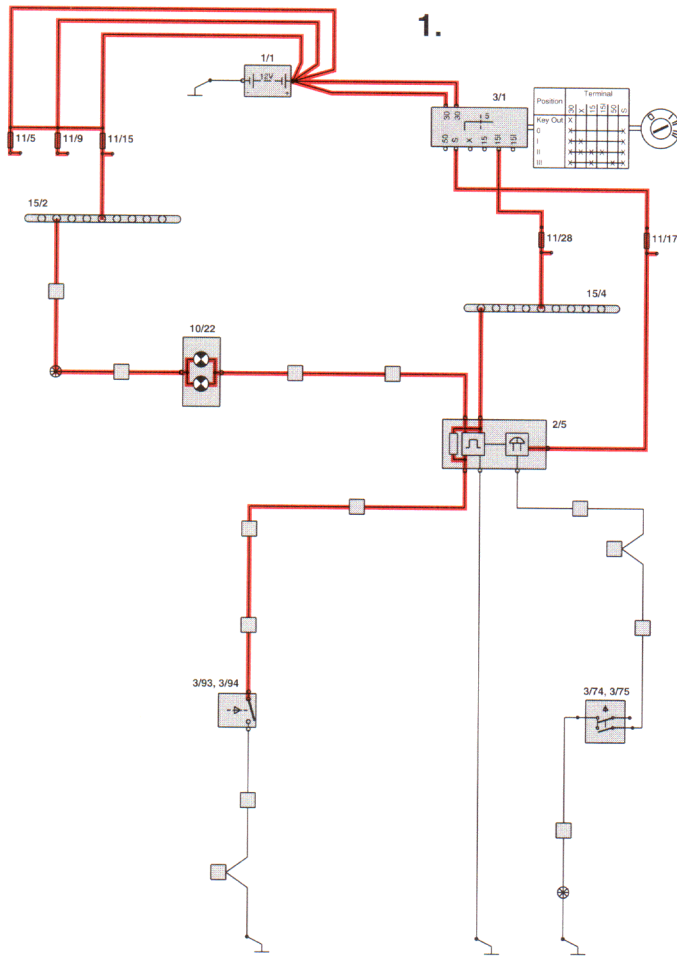


Ignition on
Seat belt not connected



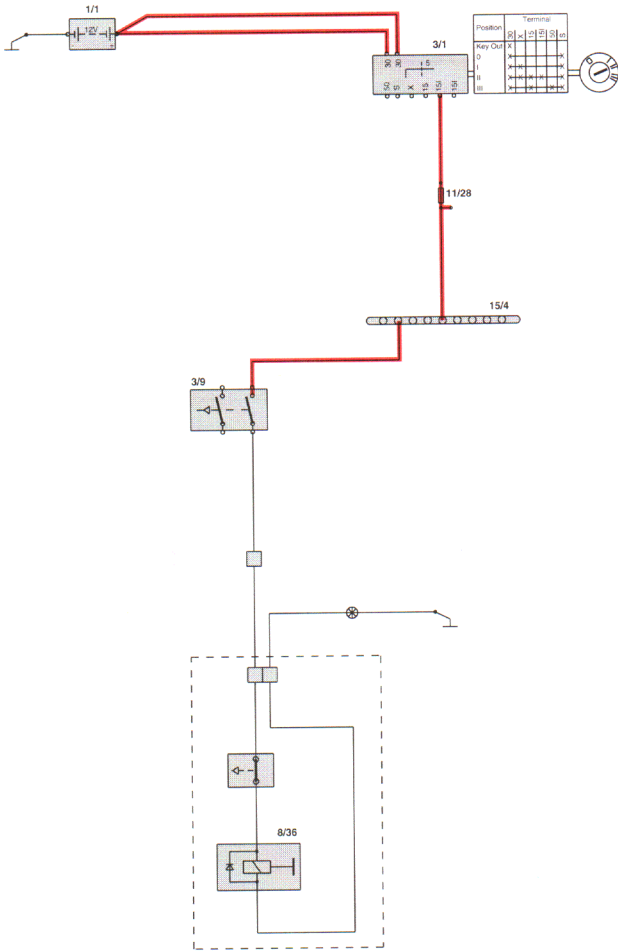
Ignition on
Seat belt connected

Seat belt reminder and key warning Function diagram

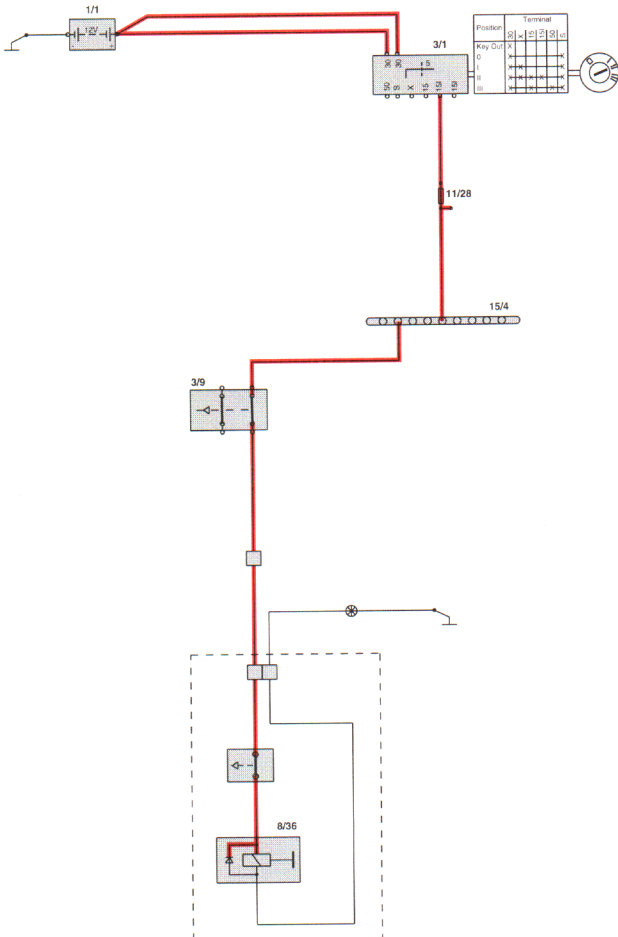


1. Ignition on
Seat belt connected
2. Ignition on
Seat belt not connected
Seat belt warning lamp lights and
clock sounds for a few seconds
3. Key still in ignition and driver door
open
Clock sounds

P-shift lock, automatic transmission Function diagram

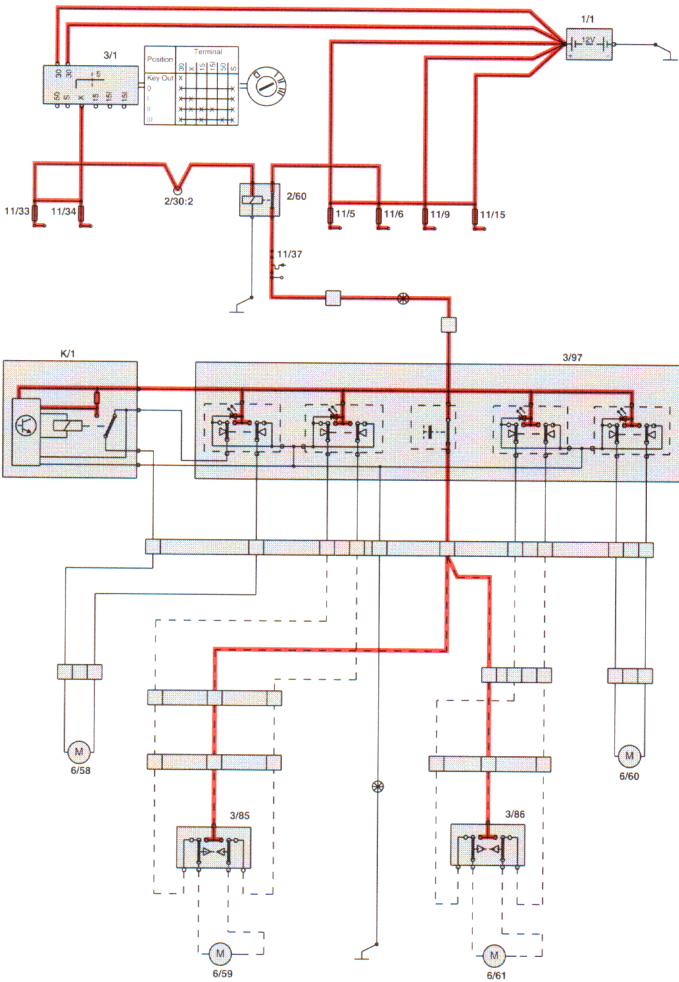


Ignition on
Gear selector locked in P-shift position

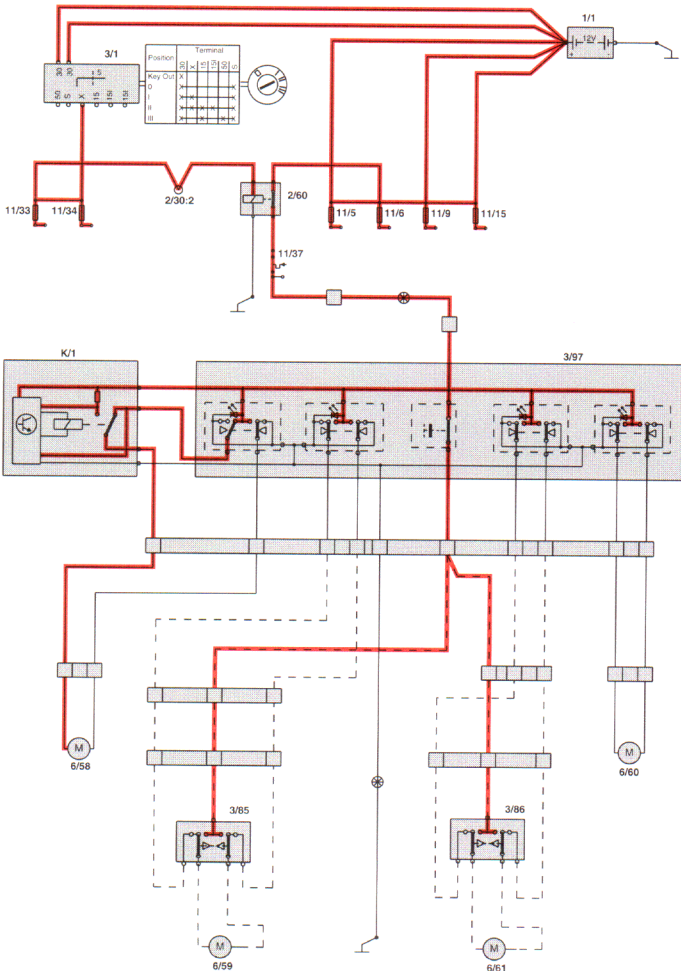


Ignition on
The stop (brake) light switch is off and the solenoid for the P-shift lock is closed
Gear selector can now be moved from its P-shift position

Power windows Function diagram

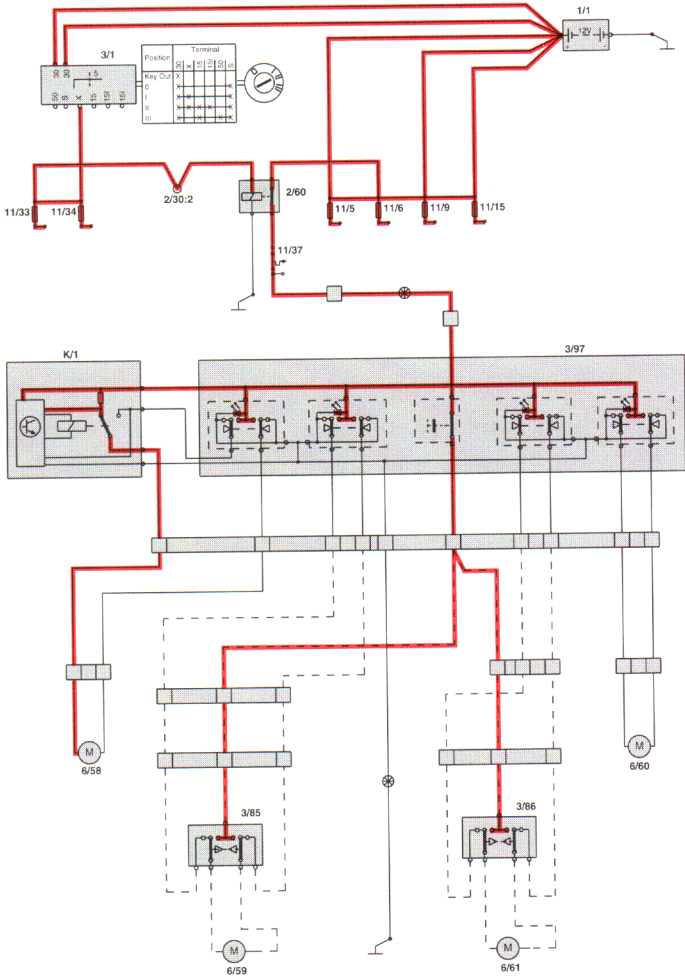


Ignition on
Power windows not activated.

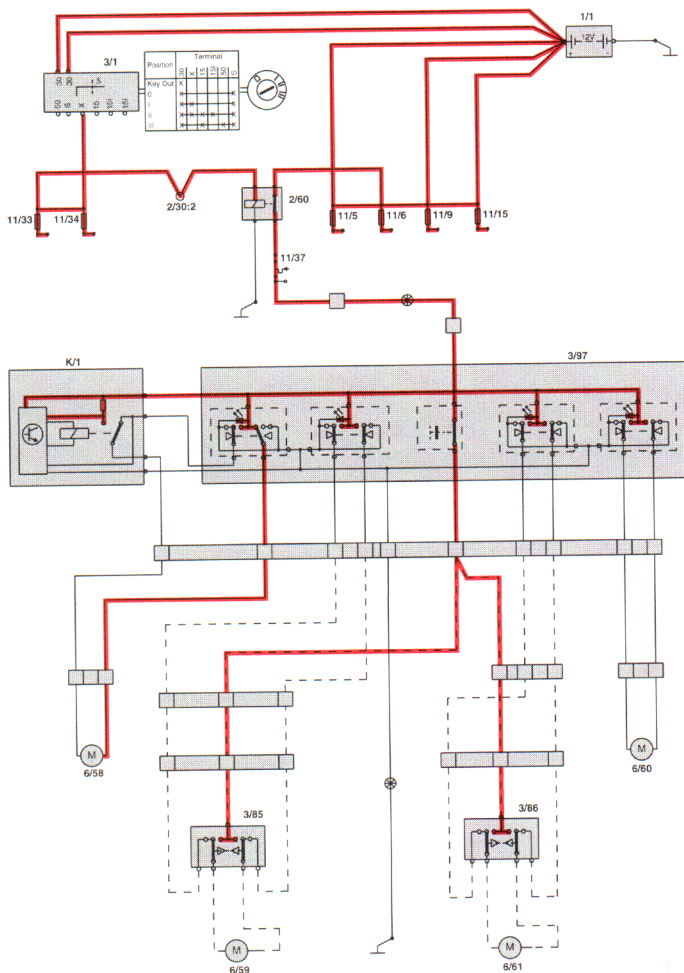


Ignition on
The driver door power window switch in
Down position

Power windows Function diagram

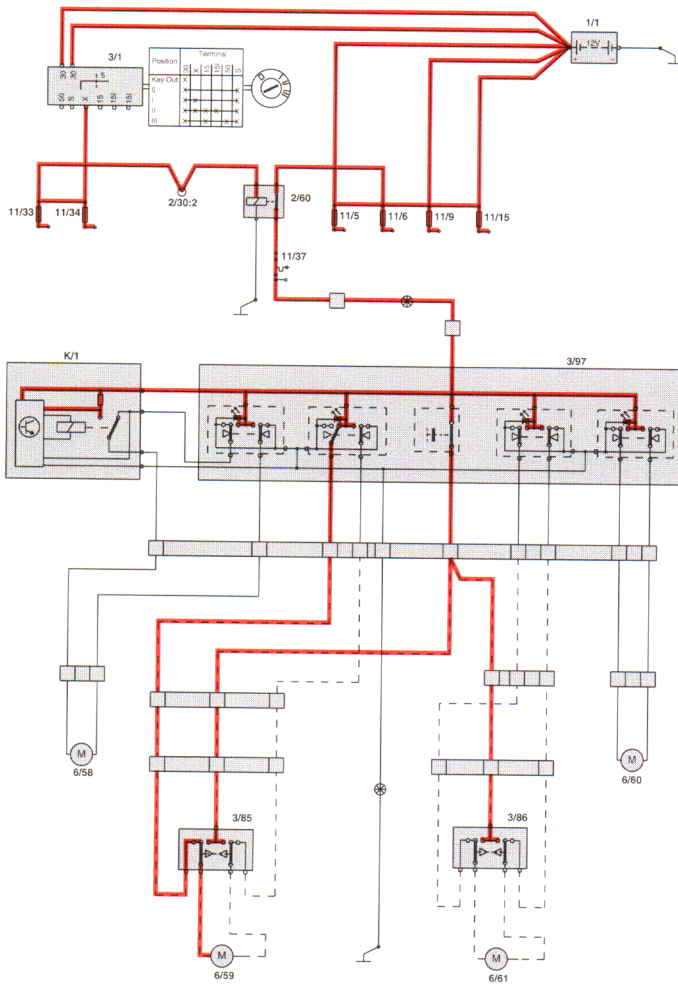


Ignition on
When the driver door power window switch is released from the Down position, voltage is retained for the power window motor by the Auto-down relay, K/1, until the window has reached the Down position.

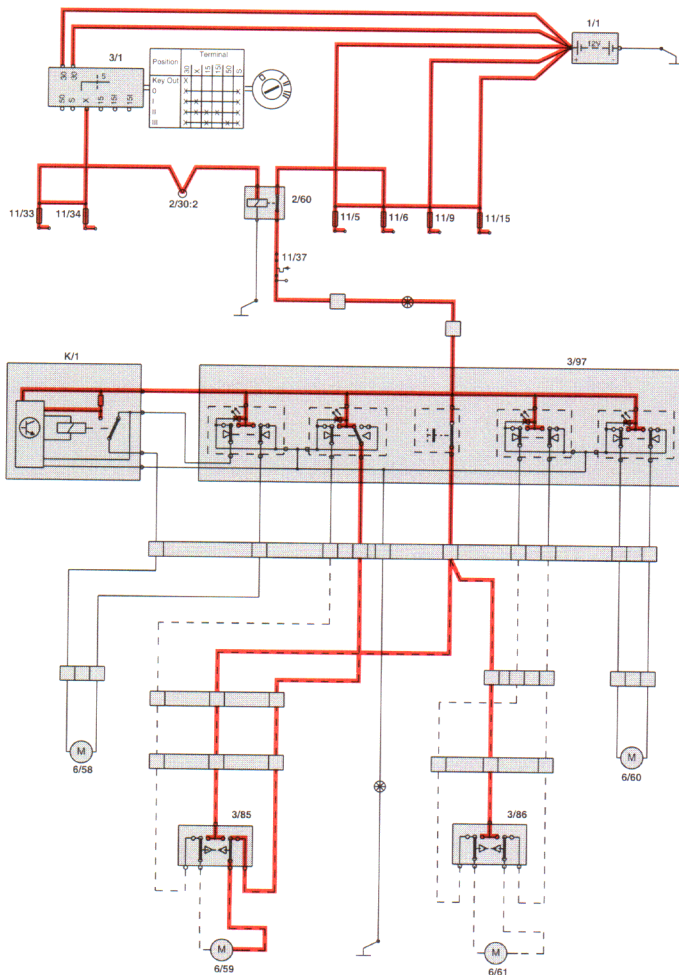


Ignition on
The driver door power window switch in the Up position. The driver door window moves up until the power window switch is released or until the window has reached the Up position.

Power windows Function diagram

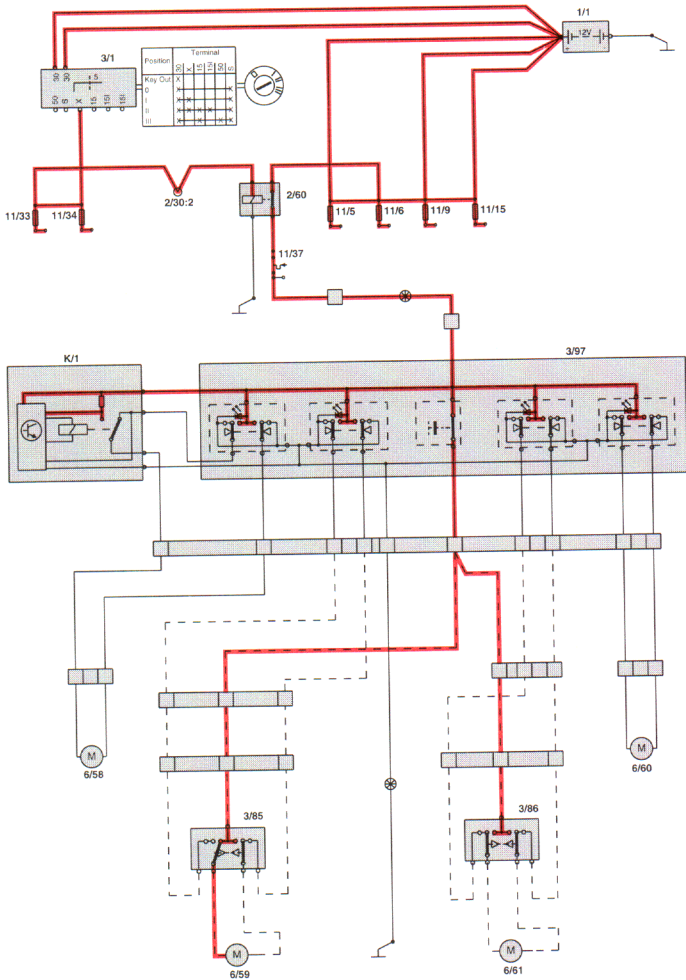


Ignition on
Opening window on left rear door
using power window switch on the center
console.

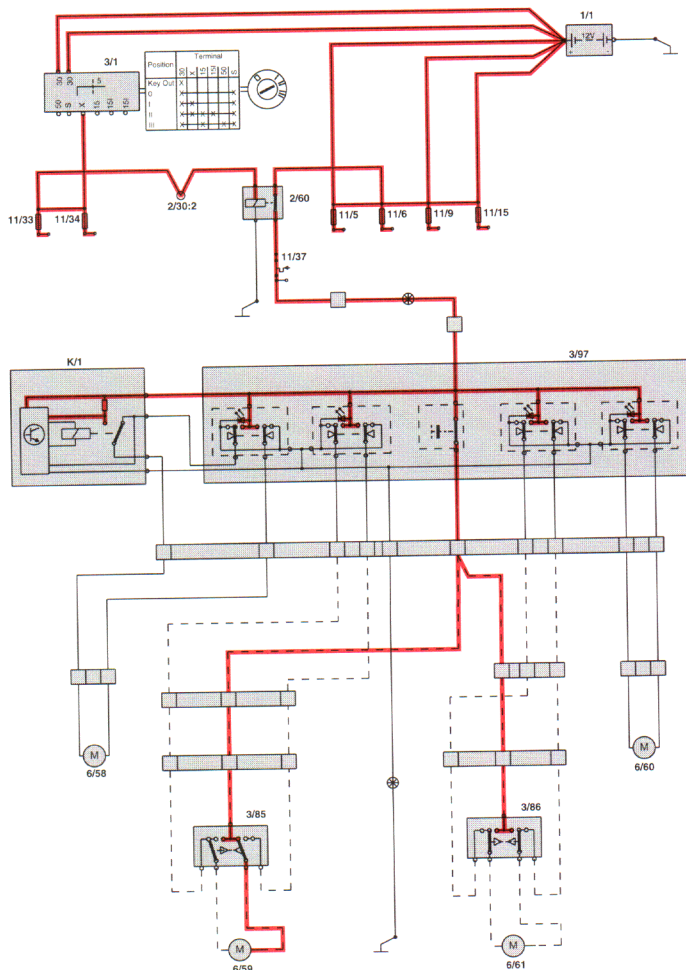


Ignition on
Closing window on left rear door using power
window switch on the center console.

Power windows Function diagram

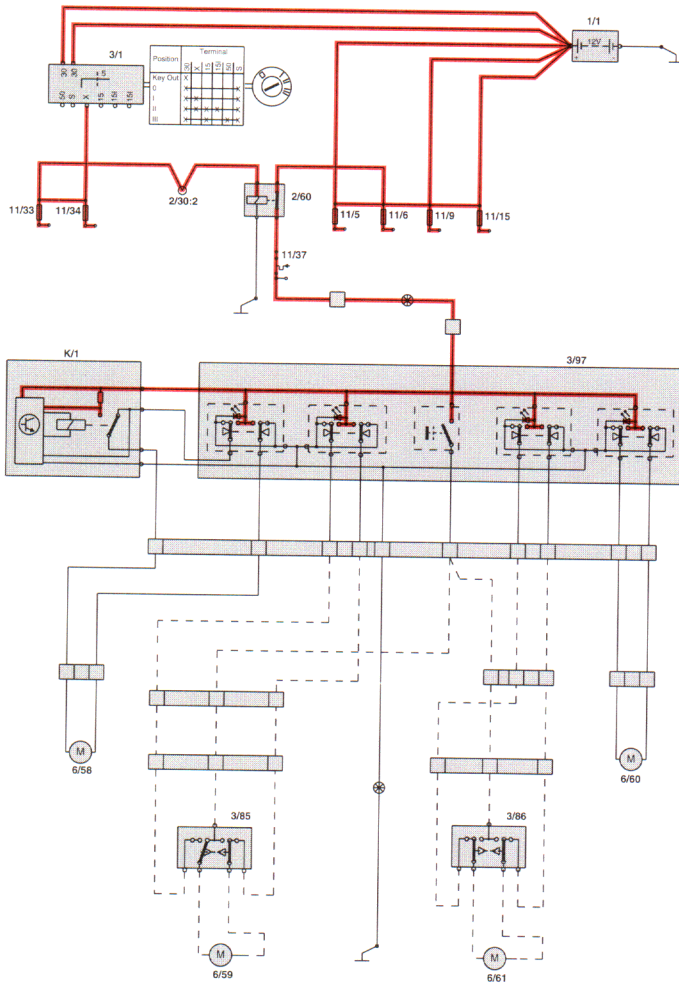


Ignition on
Opening window on left rear door using
power window switch on left rear door.



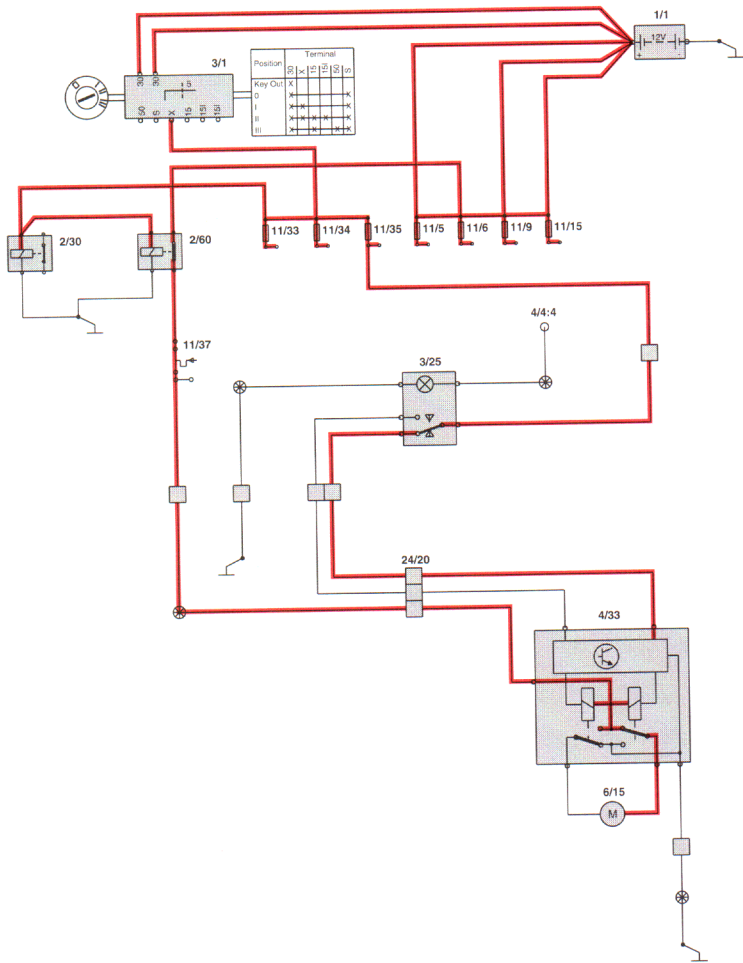
Ignition on
Closing window on left rear door using
power window switch on left rear door.

Power windows Function diagram

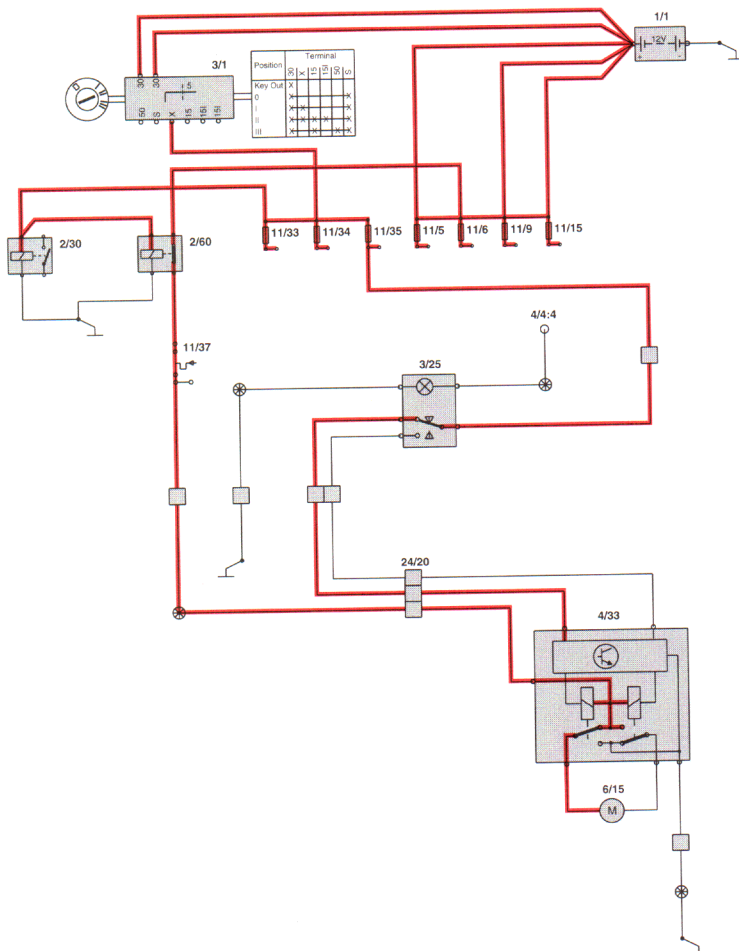


Ignition on
Blocking the rear door power windows using
the cut-off on the center console

Power sunroof Function diagram

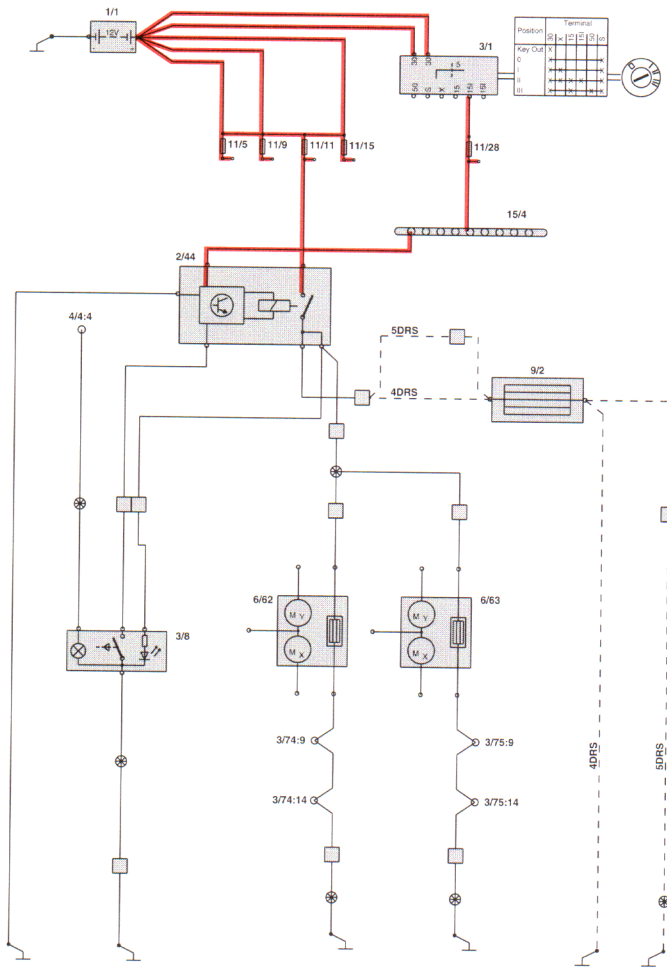


Ignition on
Opening the sunroof

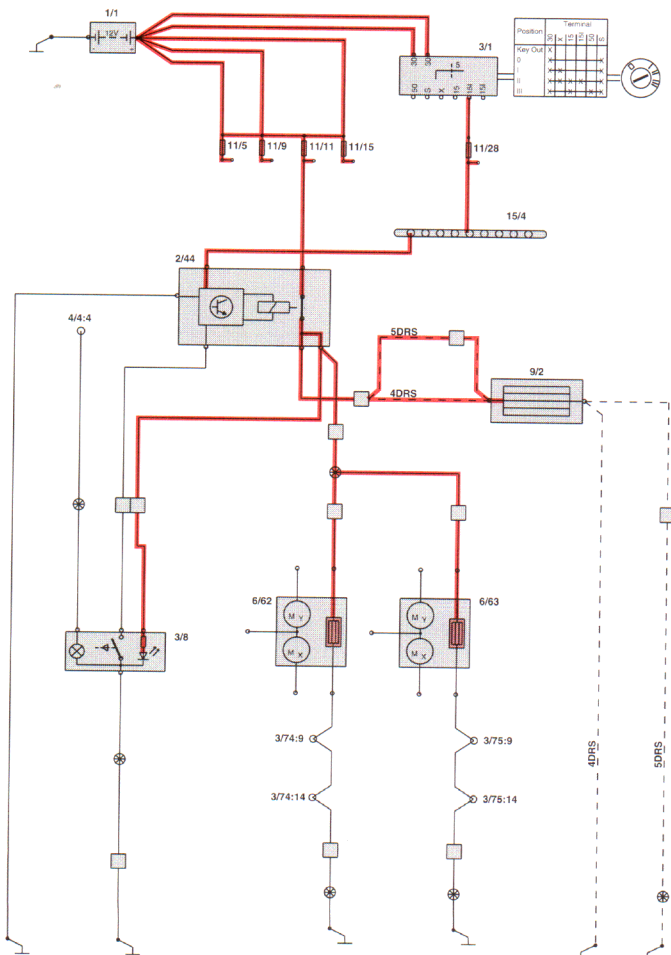


Ignition on
Closing the sunroof

Heated rear window and heated door mirrors Function diagram



Ignition on
Time relay, 2/44, for heating the heated rear window/power door mirrors not activated.



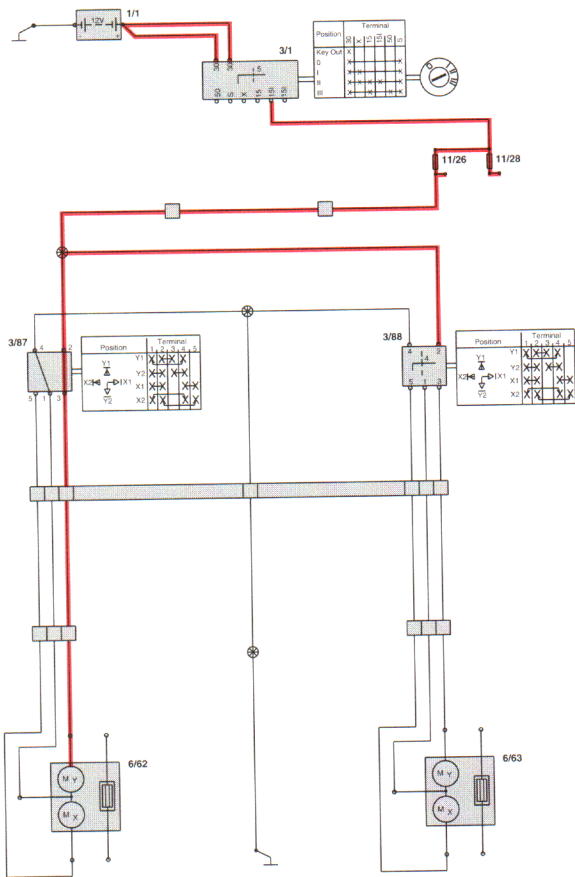
Ignition on
Time relay, 2/44, for heating the heated rear window/power door mirrors activated with switch, 3/8.

The time relay is active for a few minutes after the switch has been released.

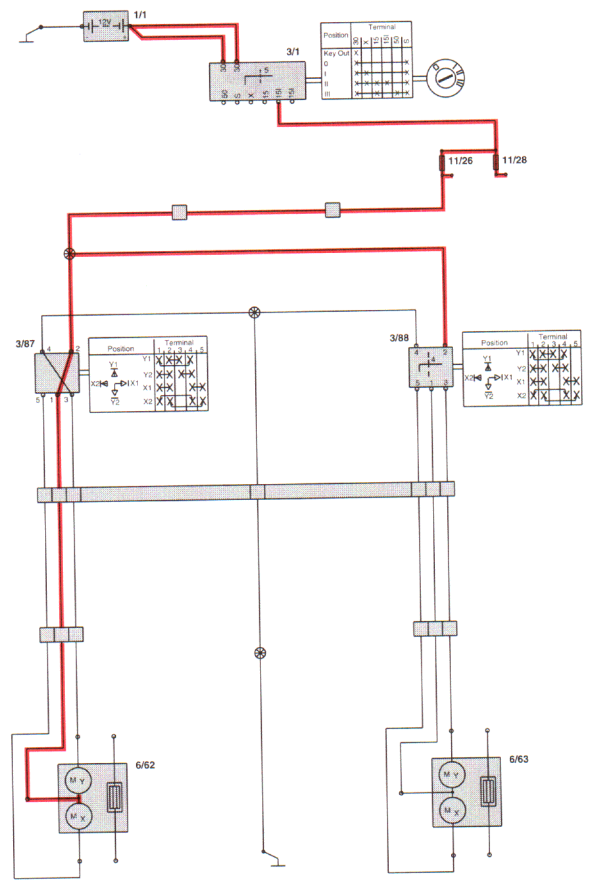
Power door mirrors

Function diagram

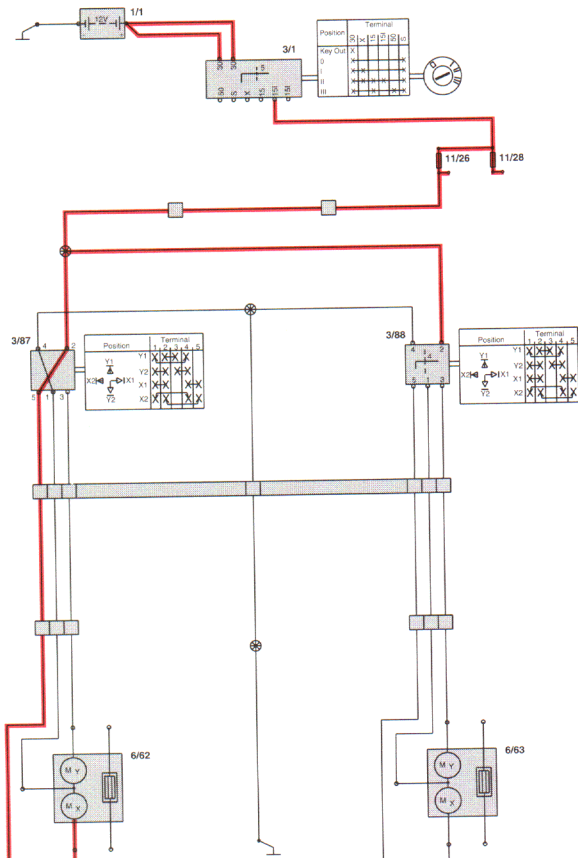
Driver side door mirror adjusted outward.



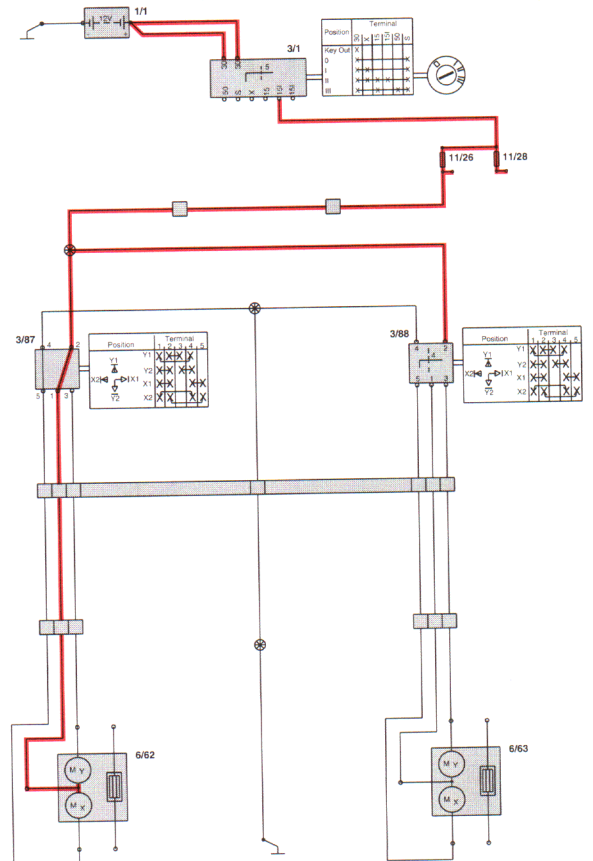
Driver side door mirror adjusted inward.



Driver side door mirror adjusted upwards.



Driver side door mirror adjusted downwards.



7/67	Thermostat, rear seat, right side	10/79	Warning lamp, winter program low gear selection (automatic transmission)
7/69	Outside temperature sensor, trip computer	10/82	Warning lamp, ABS
7/73	Coolant level sensor	10/83	Warning lamp, handbrake
7/74	Oil temperature sensor, automatic transmission	10/84	Brake warning lamp
7/77	Temperature sensor, intake air	10/85	Warning lamp, high beam
7/79	Accelerometer	10/86	Warning lamp, oil pressure
7/81	Pressure sensor, intake manifold	10/87	Warning lamp, charging
7/82	Heated oxygen sensor (HO2S), rear	10/88	Warning lamp, bulb failure warning sensor
7/83	High-pressure sensor A/C	10/89	Warning light, rear fog lights
7/84	Tank pressure sensor	10/90	Warning light, washer fluid level
7/100	Tilt sensor	10/91	Service warning
7/101	Breaking glass sensor	10/94	Indicator lamp, right turn signal
8/3	Solenoid switch A/C	10/95	Indicator lamp, left turn signal
8/5	IAC idling valve	10/96	Instrument lighting
8/6-10	Injectors	10/97	Entry lighting, driver side
8/17	EGR converter	10/102	Entry lighting, passenger side
8/18	EVAP valve	10/105	Warning lamp, fuel level
8/28	Turbo control valve	10/106	Warning lamp, Check engine
8/30	Steering wheel module SRS	10/107	Warning lamp, TRACS
8/31	SRS passenger module	10/108	High-level stop (brake) light, spoiler
8/33	Igniter, left seat belt tensioner	10/109	Warning lamp, trailer
8/34	Igniter, right seat belt tensioner	10/110	Warning lamp, coolant level
8/36	Solenoid, P-shift lock	10/113	Alarm warning LED
8/37	Solenoids, automatic transmission	10/114	Vanity mirror lighting, left side
8/43	Solenoid, aux. air intake	10/115	Vanity mirror lighting, right side
8/44	Canister valve	10/301	Alarm warning LED
8/45	Solenoid, variable intake manifold	11/1-40	Fuses
9/1	Cigar lighter	15/2	30-rail in central electrical unit
9/2	Heated rear window	15/4	15I-rail in central electrical unit
9/3	Backrest heater pad, left front seat	15/8	X-rail in central electrical unit
9/4	Backrest heater pad, right front seat	16/1	Radio
9/5	Seat heater pad, left front seat	16/2	Amplifier
9/6	Seat heater pad, right front seat	16/3	Loudspeaker, right front door
9/8	Seat heater pad, left rear seat	16/4	Loudspeaker, left front door
9/9	Backrest heater pad, left rear seat	16/5	Loudspeaker, right rear door
9/10	Seat heater pad, right rear seat	16/6	Loudspeaker, left rear door
9/11	Backrest heater pad, right rear seat	16/7	Loudspeaker, instrument panel, right side
10/1	Left front light	16/8	Loudspeaker, instrument panel, left side
10/2	Right front light	16/9	Antenna
10/5	Left front fog light assy.	16/10	Horn 1
10/6	Right front fog light assy.	16/11	Horn 2
10/9	Left parking light and turn signal, front	16/15	CD changer
10/10	Right parking light and turn signal, front	16/16	Antenna amplifier
10/11	Left parking light, front	16/17	Loudspeaker, rear shelf/D-pillar left side
10/12	Right parking light, front	16/18	Loudspeaker, rear shelf/D-pillar right side
10/13	Left turn signal, front	16/19	Alarm horn
10/14	Right turn signal, front	16/35	Alarm siren
10/15	Left side flasher light	17/1	Service socket for starter motor
10/16	Right side flasher light	17/13	On-board diagnostics socket
10/17	Right tail light	18/4	Contact reel, steering wheel, SRS
10/18	Left tail light	19/1	Engine temperature sensor
10/19	High-level stop (brake) light	19/2	Tachometer
10/20	License plate lighting	19/3	Speedometer
10/22	Courtesy light	19/5	Fuel gauge
10/24	Trunk lighting	19/6	Exciter, tachometer
10/26	Reading light, rear left	19/7	Exciter, speedometer, engine temperature gauge fuel gauge
10/27	Reading light, rear right	20/2	Distributor
10/29	Glove compartment lighting	20/3-7	Spark plugs
10/30	Open-door warning lamp, front left	20/11	Ballast resistor
10/31	Open-door warning lamp, front right	20/18	Resistor, blower fan
10/32	Open-door warning lamp, rear left	23/0-601	Branching points
10/33	Open-door warning lamp, rear right		
10/37	Cigar lighter lighting		
10/38	Ashtray lighting rear		
10/40	Gear selection lighting		
10/43	Right stop (brake) light		
10/44	Right parking light, rear		
10/45	Right parking/tail light		
10/46	Right rear fog light		
10/47	Lamp, right turn signal, rear		
10/48	Right back-up (reversing) light		
10/50	Left stop (brake) light		
10/51	Left parking light, rear		
10/52	Left parking/tail light		
10/53	Left rear fog light		
10/54	Lamp, left turn signal, rear		
10/55	Left back-up (reversing) light		
10/64	Right high beam		
10/66	Right low beam		
10/68	Left high beam		
10/70	Left low beam		
10/72	Ashtray lighting front		
10/74	Warning lamp, exhaust temperature		
10/77	Warning lamp, SRS		

Continued on next page

Connector	31/7	Ground point, A-pillar driver side
Instrument panel harness - firewall harness	31/11	Ground point, trunk, left side
Connector	31/12	Ground point, trunk, right side
Engine compartment harness - firewall harness	31/15	Ground point, A-pillar passenger side
Connector	31/32	Ground point, on engine (power ground)
Firewall harness - left door sill harness	31/33	Ground point, on engine (signal ground)
Connector	31/44	Ground point, engine compartment (ground point, battery - body)
Firewall harness - right door sill harness		
Connector, 24-pin	31/47	Ground point, left cross member
Firewall harness - left front door harness	31/48	Ground point, right cross member
Connector, 24-pin	31/50	Ground point, central electrical unit, power ground
Firewall harness - right front door harness		
Connector, 14-pin	31/51	Ground point, central electrical unit, signal ground
Firewall harness - tunnel harness		
Connector, 4-pin	31/52	Ground point, DI power stage and ignition coil
Firewall harness - roof harness		
Connector, 2-pin	31/55	Ground point, engine cooling fan
Firewall harness - blower fan harness/climate unit	31/65	Ground point, steering column
Connector, 10-pin	34/13	Front fog lights, bridge
Firewall harness - climate unit harness	C/BA	Connector, 2-pin, fuel pump
Connector, 4-pin	C/BB	Connector, 2-pin, fuel level sensor
Firewall harness - blower fan harness/climate unit	C/BC	Connector, 4-pin, power antenna/ antenna amplifier
Connector	C/BD	Connector, 3-pin, tank pressure sensor
Engine compartment harness - instrument panel harness	C/CE	Connector, 2-pin, heated front seat, left
Connector	C/CF	Connector, 2-pin, heated front seat, left
Engine compartment harness - left door sill harness	C/CG	Connector, 2-pin, heated front seat, right
Connector, 14-pin	C/CH	Connector, 2-pin, heated front seat, right
Engine compartment harness - engine harness	C/CJ	Connector, 6-pin, cruise control
Connector, 11-pin	C/CK	Connector, 14-pin, power windows
Left door sill harness - left rear door harness	C/CL	Connector, 6-pin, tailgate wash/wipe
Connector, 11-pin	C/CM	Connector, 2-pin, heated rear seat, left side
Right door sill harness - right rear door harness	C/CN	Connector, 2-pin, heated rear seat, left side
Connector, 4-pin	C/CP	Connector, 2-pin, heated rear seat, right side
Right door sill harness - rear wheel sensor harness	C/CQ	Connector, 2-pin, heated rear seat, right side
Connector, 4-pin	C/CR	Connector, 14-pin, audio
Firewall harness - power sunroof harness	C/CS	Connector, 10-pin, audio
Connector, 6-pin	C/CT	Connector, 2-pin, alarm warning LED
Left door sill harness - left front seat	C/CU	Connector, 4-pin, alarm sensor
Connector, 6-pin	C/EA	Connector, 1-pin, engine cooling fan
Right door sill harness - right front seat	C/EB	Connector, 4-pin, high pressure sensor, A/C
Connector, 14-pin	C/EC	Connector, 1-pin, solenoid switch A/C
Left door sill harness - tailgate harness	C/EG	Connector, 2-pin, engine coolant temperature sensor
Connector, 2-pin	C/EH	Connector, 3-pin, camshaft position sensor (CMP)
Firewall harness - passenger module harness	C/EJ	Connector, 2-pin, pulse sensor
Connector, 8-pin, accessories	C/EK	Connector, 2-pin, windshield wiper motor
Connector, 6-pin		
Firewall harness - switch harness heated rear seat	C/EL	Connector, 3-pin, windshield wiper motor
Connector, engine harness - automatic transmission	C/EM	Connector, 2-pin, at tunnel
Connector, 2-pin at left A-pillar	C/EN	Connector, 2-pin, EGR temperature sensor
Connector, 2-pin at right A-pillar		
Ground point, engine	C/EP	Connector, 4-pin, heated oxygen sensor (HO2S), front
(ground point, battery - engine)	C/EQ	Connector, 4-pin, heated oxygen sensor (HO2S), rear
	K/1	Relay, auto-down power window